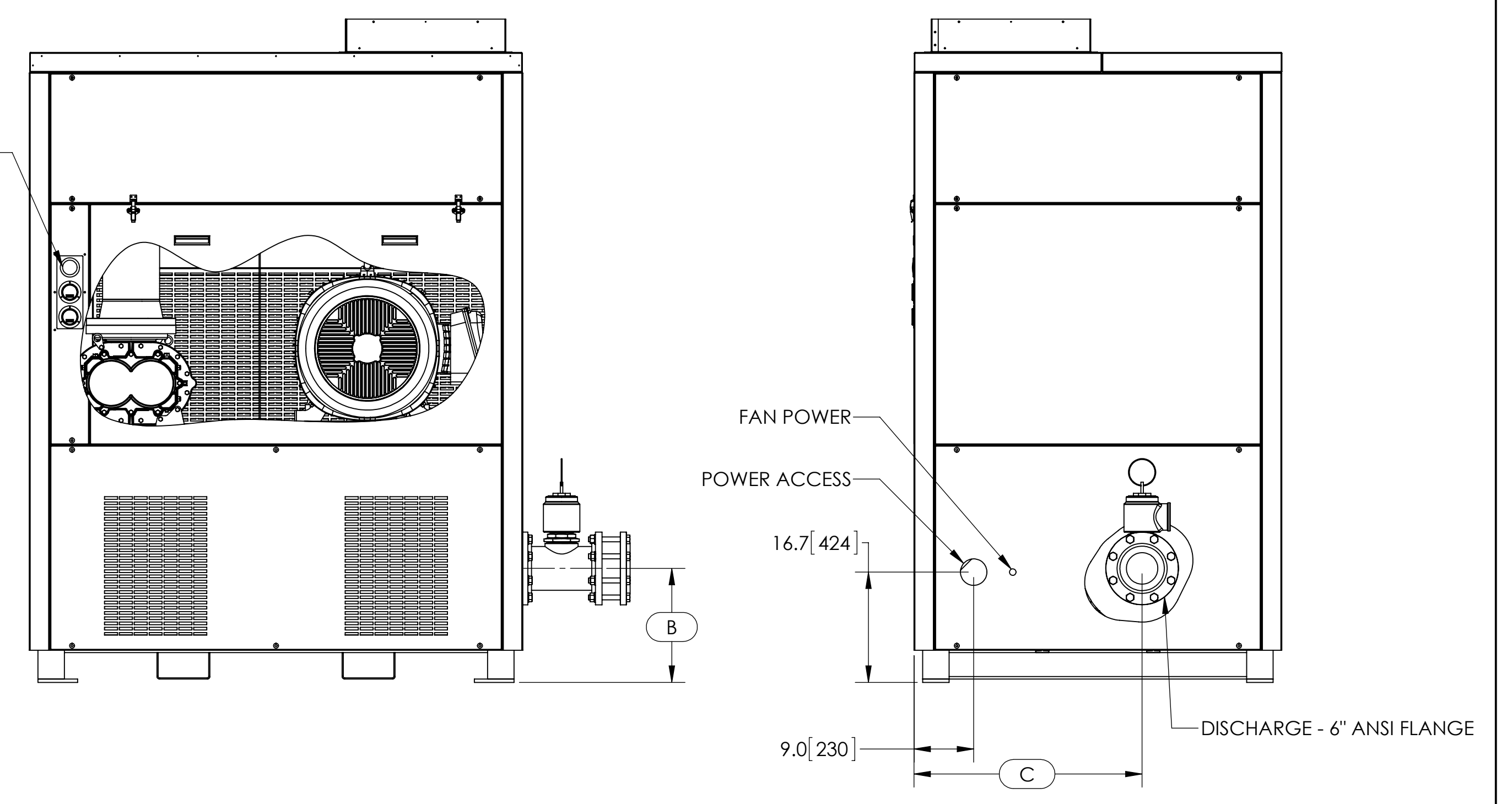
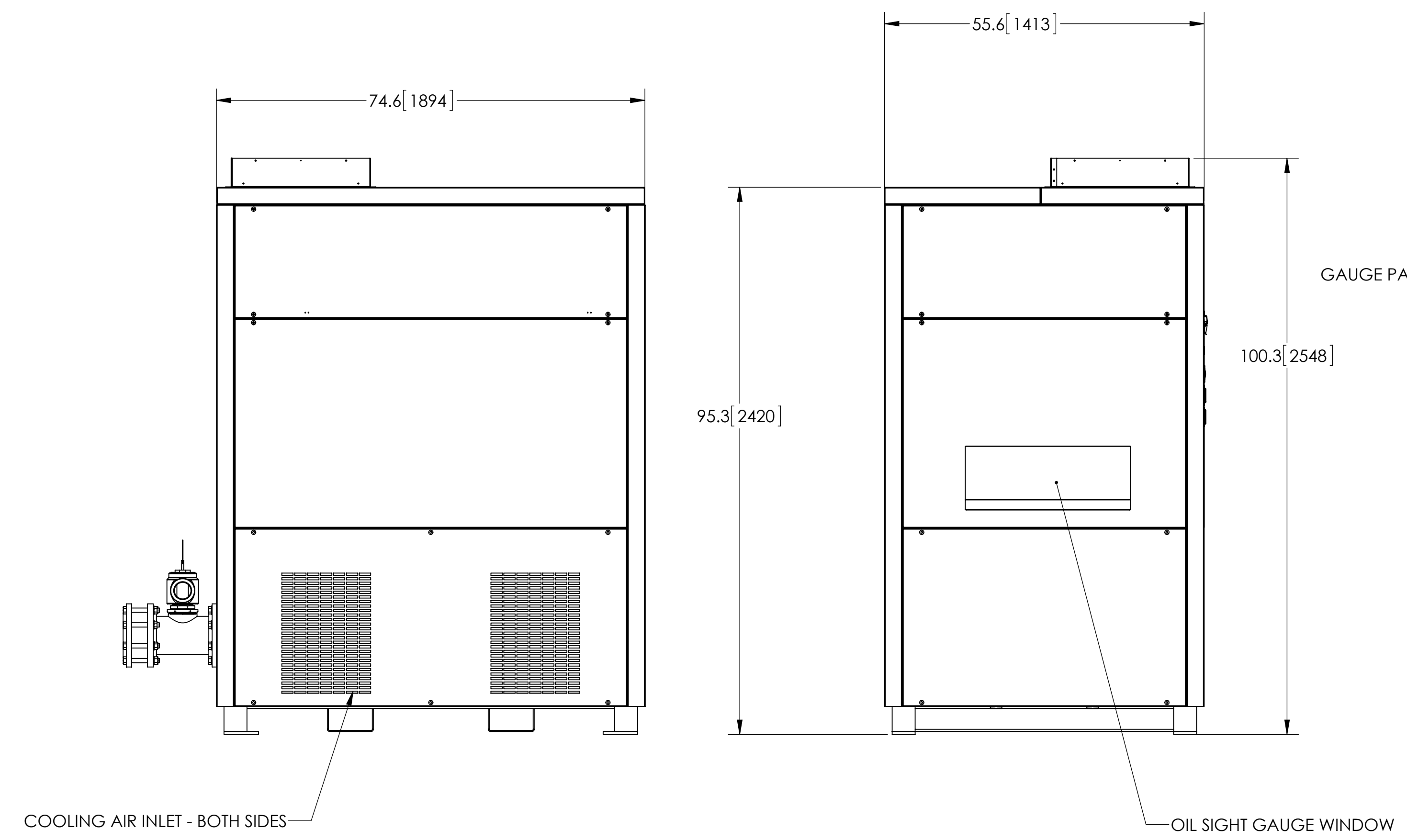
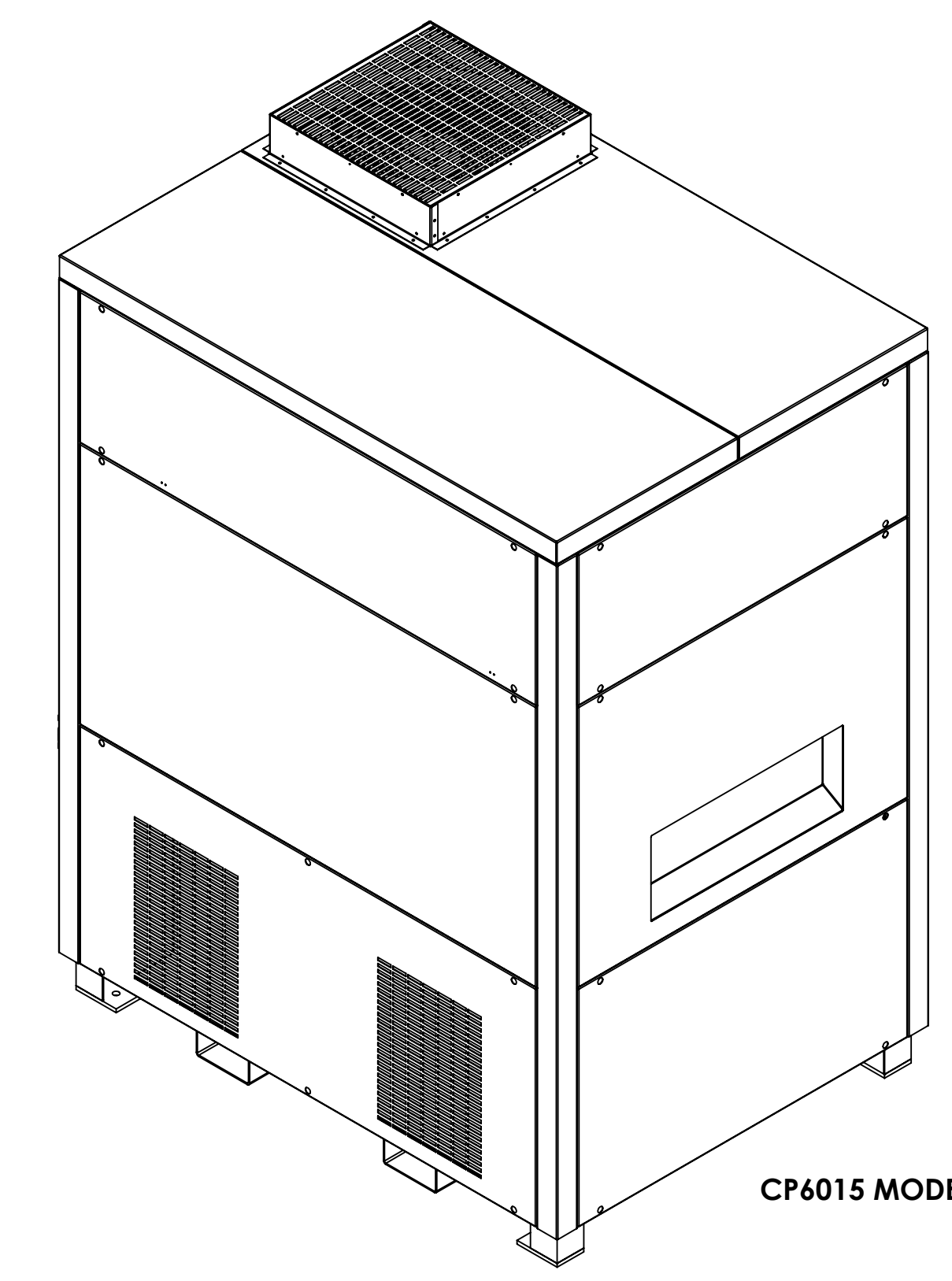
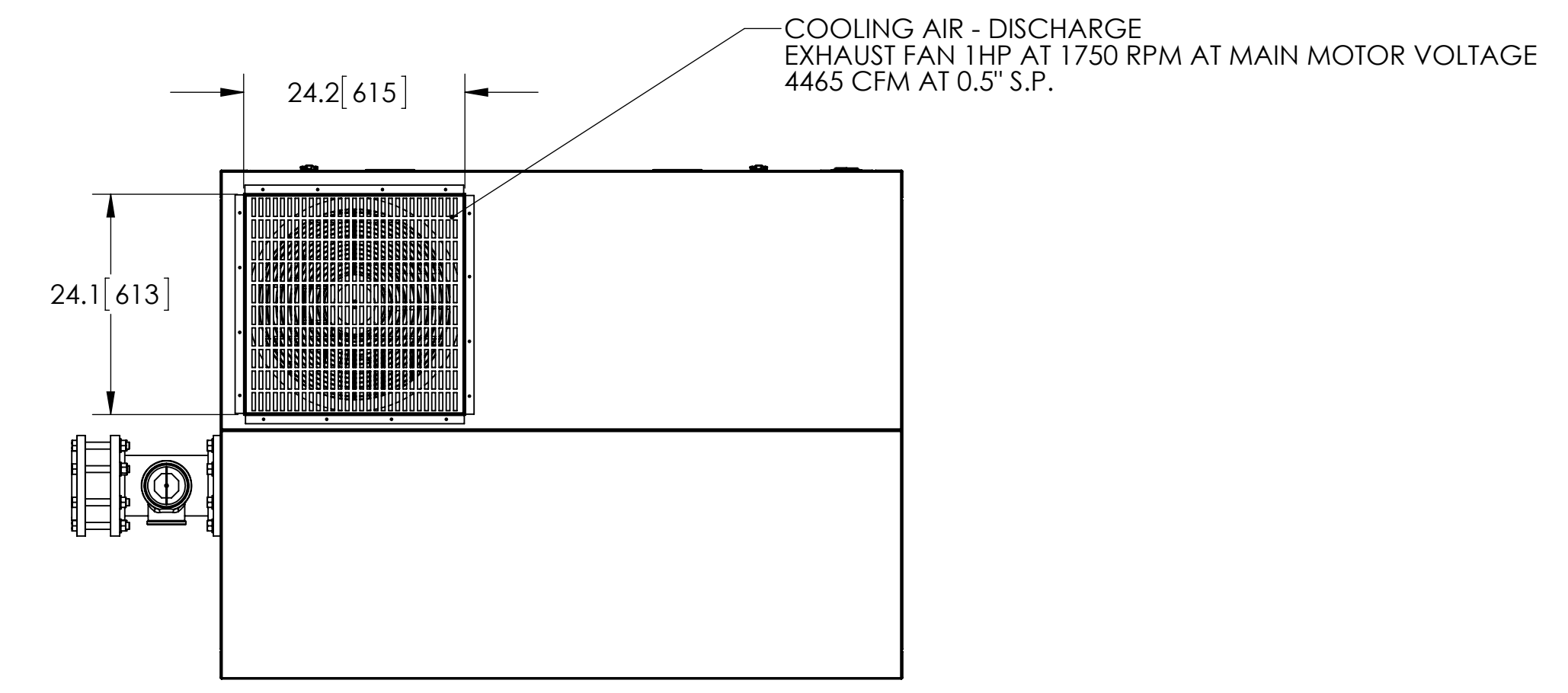


NOTICE OF CONFIDENTIAL INFORMATION

INFORMATION CONTAINED HEREIN IS CONFIDENTIAL AND IS THE PROPERTY OF THE TUTHILL CORPORATION. WHERE FURNISHED WITH A PROPOSAL THE RECIPIENT SHALL USE IT SOLELY TO EVALUATE THE PROPOSAL. WHERE FURNISHED TO A CUSTOMER IT SHALL BE USED SOLELY FOR THE PURPOSES OF INSPECTION, INSTALLATION OR MAINTENANCE. WHERE FURNISHED TO A SUPPLIER IT SHALL BE USED SOLELY IN THE PERFORMANCE OF WORK CONTRACTED FOR BY THE COMPANY. THE INFORMATION SHALL NOT BE USED OR DISCLOSED BY THE RECIPIENT FOR ANY OTHER PURPOSE WHATSOEVER.

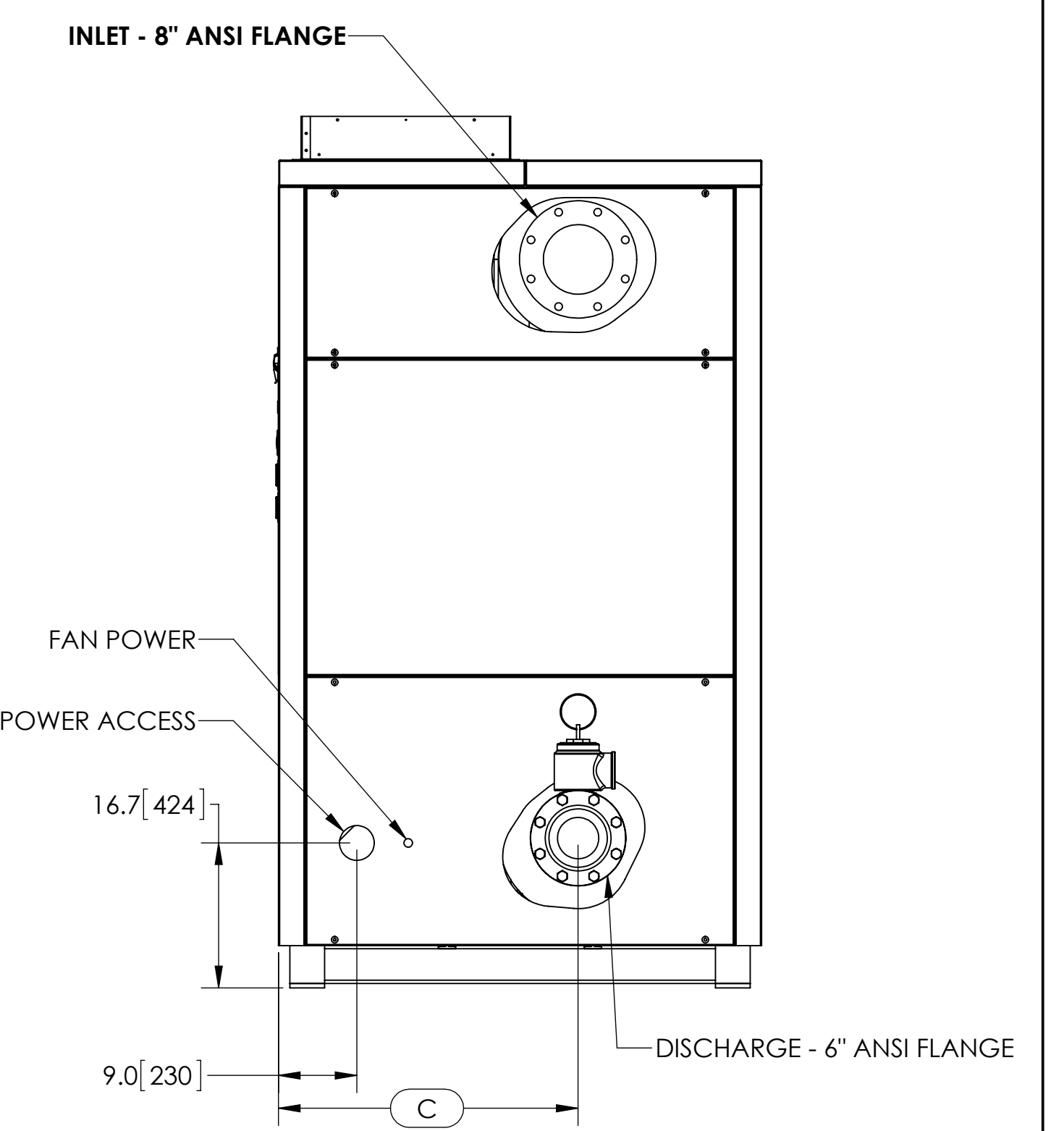
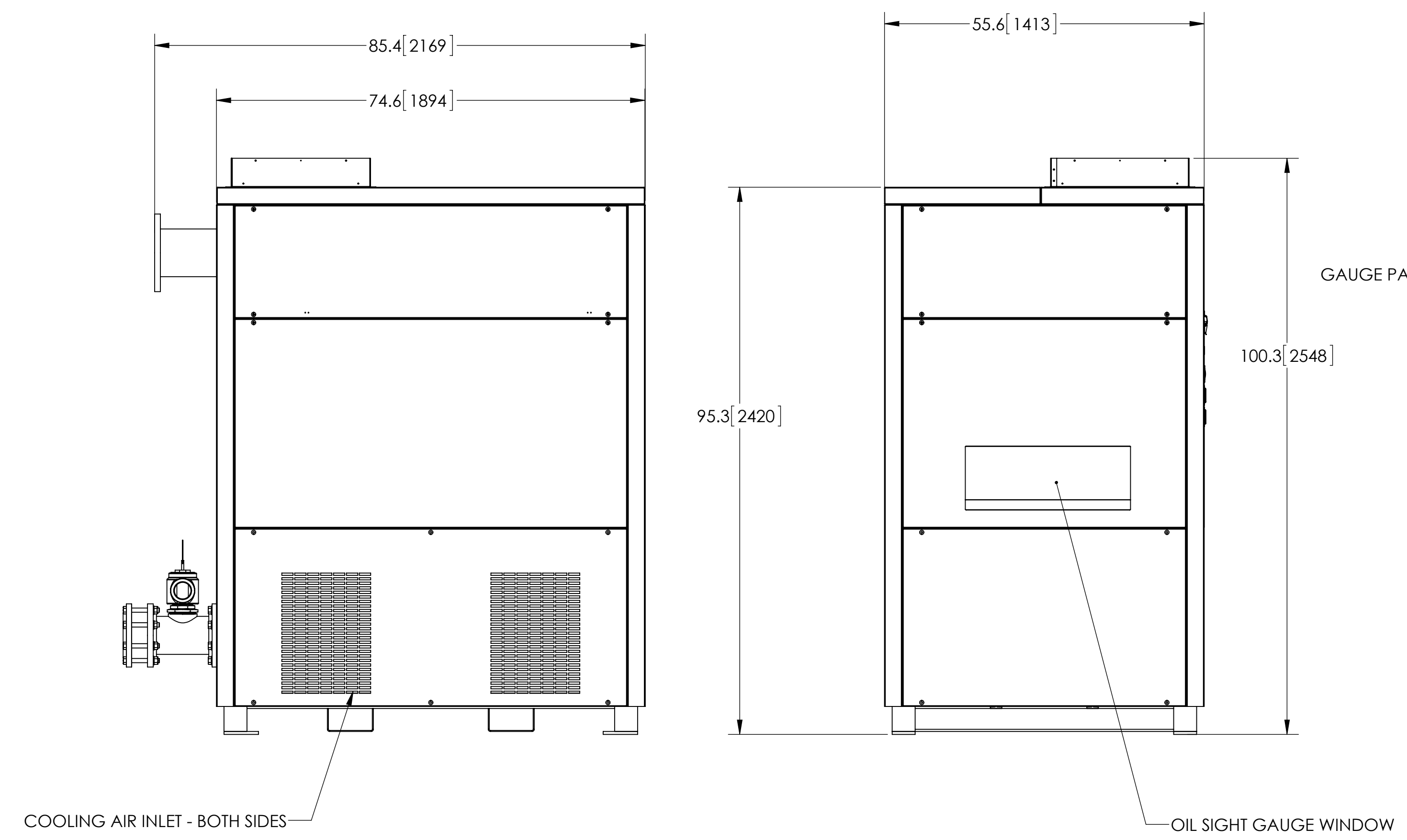
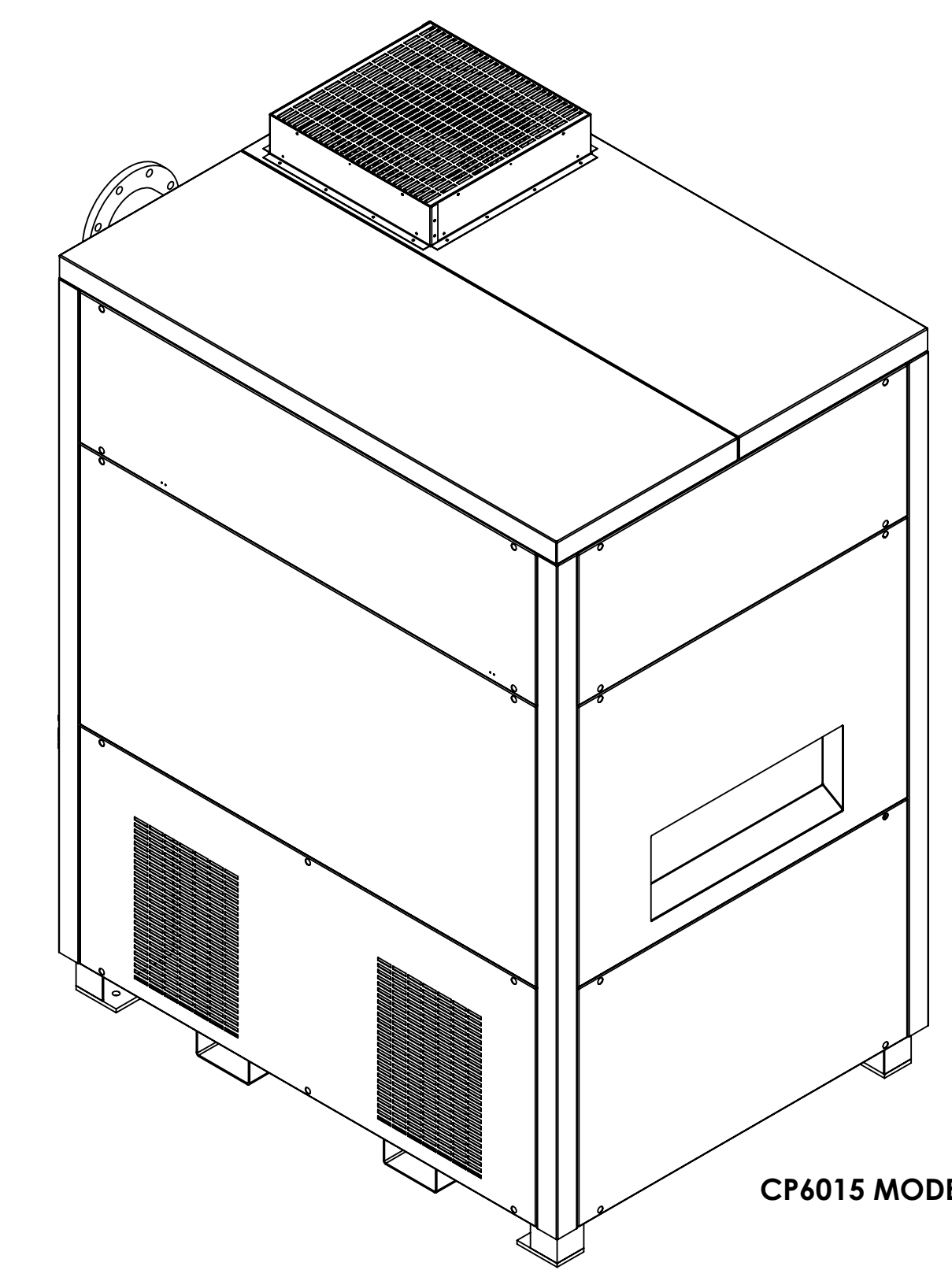
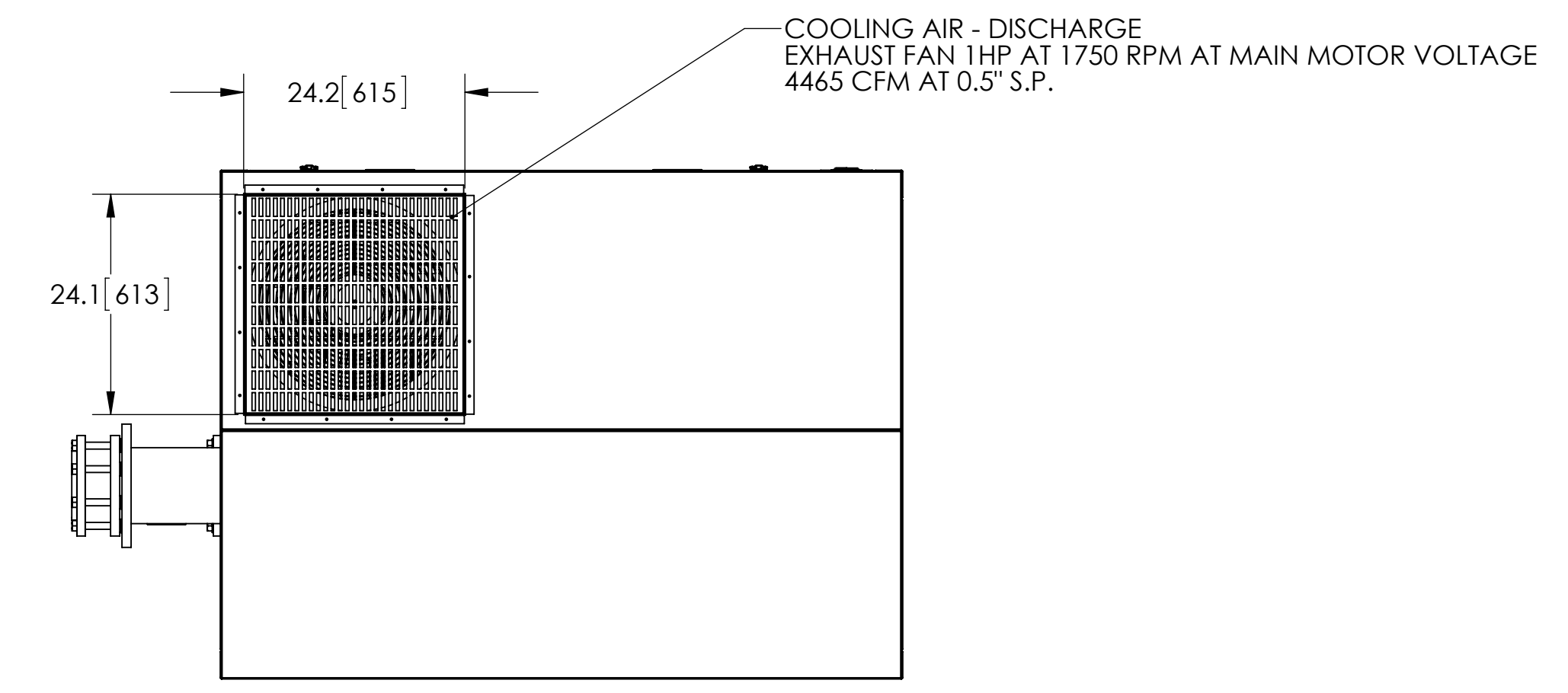


BLOWER MODEL	A	B	C
CP6015		17.2[438]	34.5[877]
CP7011		18.5[470]	36.4[926]
CP7018		17.2[438]	32.9[837]
QX6015		15.1[384]	31.6[802]
PD7010		17.2[438]	26.6[675]
PD7013		16.4[416]	25.2[640]

THIRD ANGLE PROJECTION	APPLICATION		VACUUM & BLOWER SYSTEMS
	NEXT ASSY	USED ON	
	APPROVALS	DATE	TITLE
			MP20 ENCLOSURE GENERAL ARRANGEMENT
DRAWN	SIZE DWG NO. D GA-MP20PE-FILTER	REV	A
CHECKED		SCALE 1:16 WEIGHT LB	SHEET 1 OF 1

NOTICE OF CONFIDENTIAL INFORMATION

INFORMATION CONTAINED HEREIN IS CONFIDENTIAL AND IS THE PROPERTY OF THE TUTHILL CORPORATION. WHERE FURNISHED WITH A PROPOSAL THE RECIPIENT SHALL USE IT SOLELY TO EVALUATE THE PROPOSAL. WHERE FURNISHED TO A CUSTOMER IT SHALL BE USED SOLELY FOR THE PURPOSES OF INSPECTION, INSTALLATION OR MAINTENANCE. WHERE FURNISHED TO A SUPPLIER IT SHALL BE USED SOLELY IN THE PERFORMANCE OF WORK CONTRACTED FOR BY THE COMPANY. THE INFORMATION SHALL NOT BE USED OR DISCLOSED BY THE RECIPIENT FOR ANY OTHER PURPOSE WHATSOEVER.



BLOWER MODEL	A	B	C
CP6015	66.6[1692]	17.2[438]	34.5[877]
CP7011	65.4[1662]	18.5[470]	36.4[926]
CP7018	66.7[1694]	17.2[438]	32.9[837]
QX6015	67.4[1712]	15.1[384]	31.6[802]
PD7010	67.6[1718]	17.2[438]	26.6[675]
PD7013	67.3[1708]	16.4[416]	25.2[640]

THIRD ANGLE PROJECTION	APPLICATION		VACUUM & BLOWER SYSTEMS
	NEXT ASSY	USED ON	
	APPROVALS	DATE	TITLE
	DRAWN CHECKED		MP20 ENCLOSURE GENERAL ARRANGEMENT
SIZE DWG NO. D GA-MP20PE-SILENCER		SCALE 1:16 WEIGHT LB	REV A
		SHEET 2 OF 1	