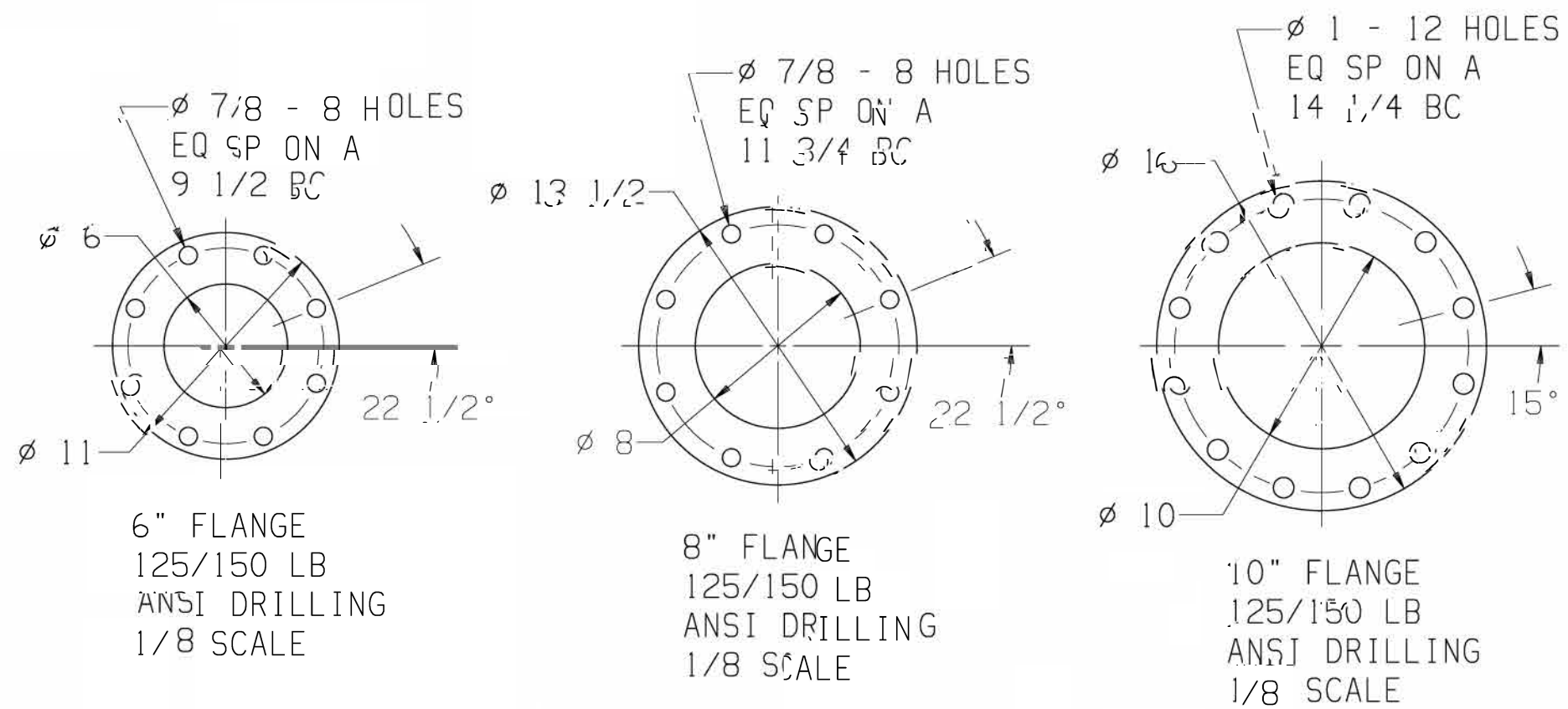
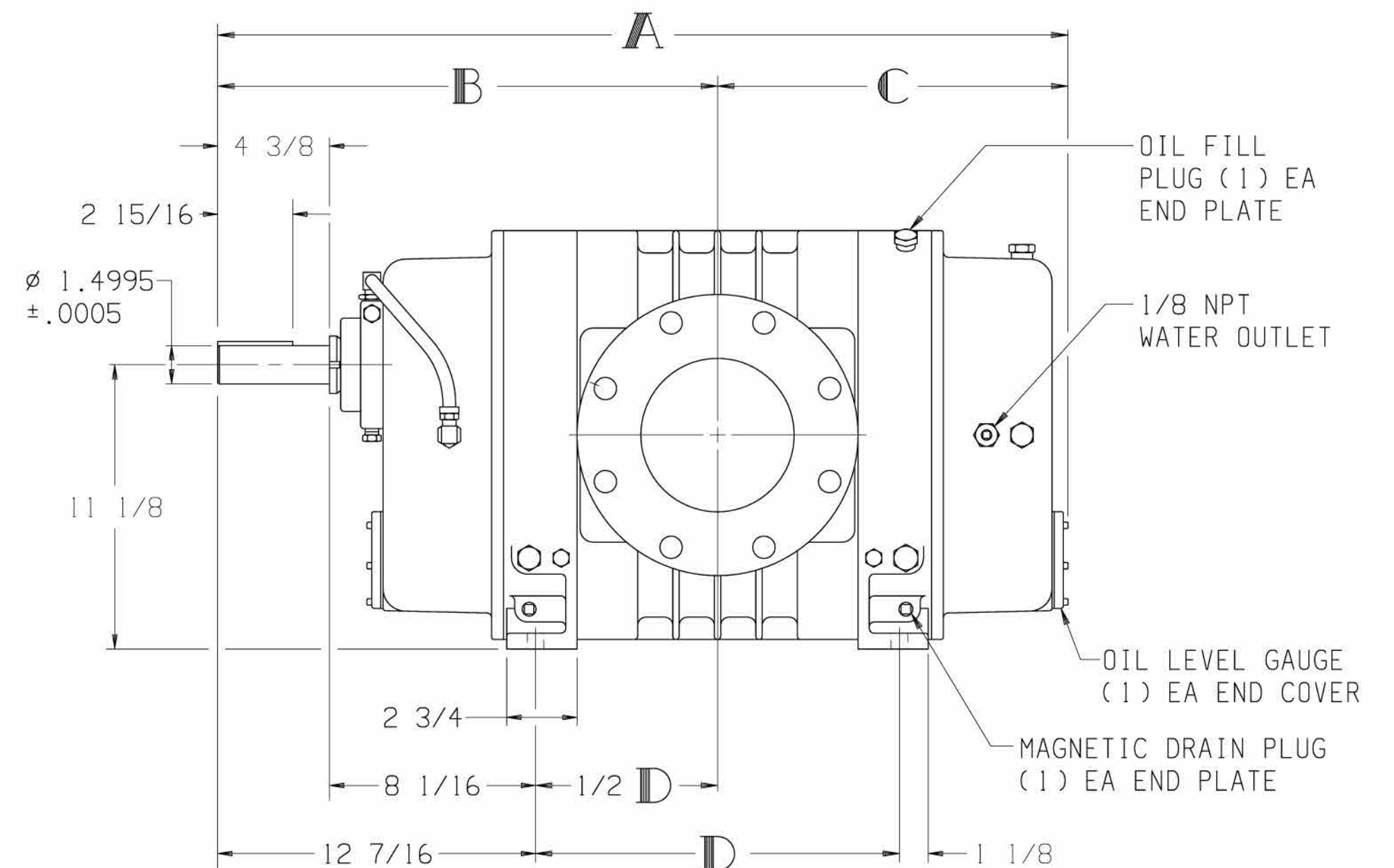
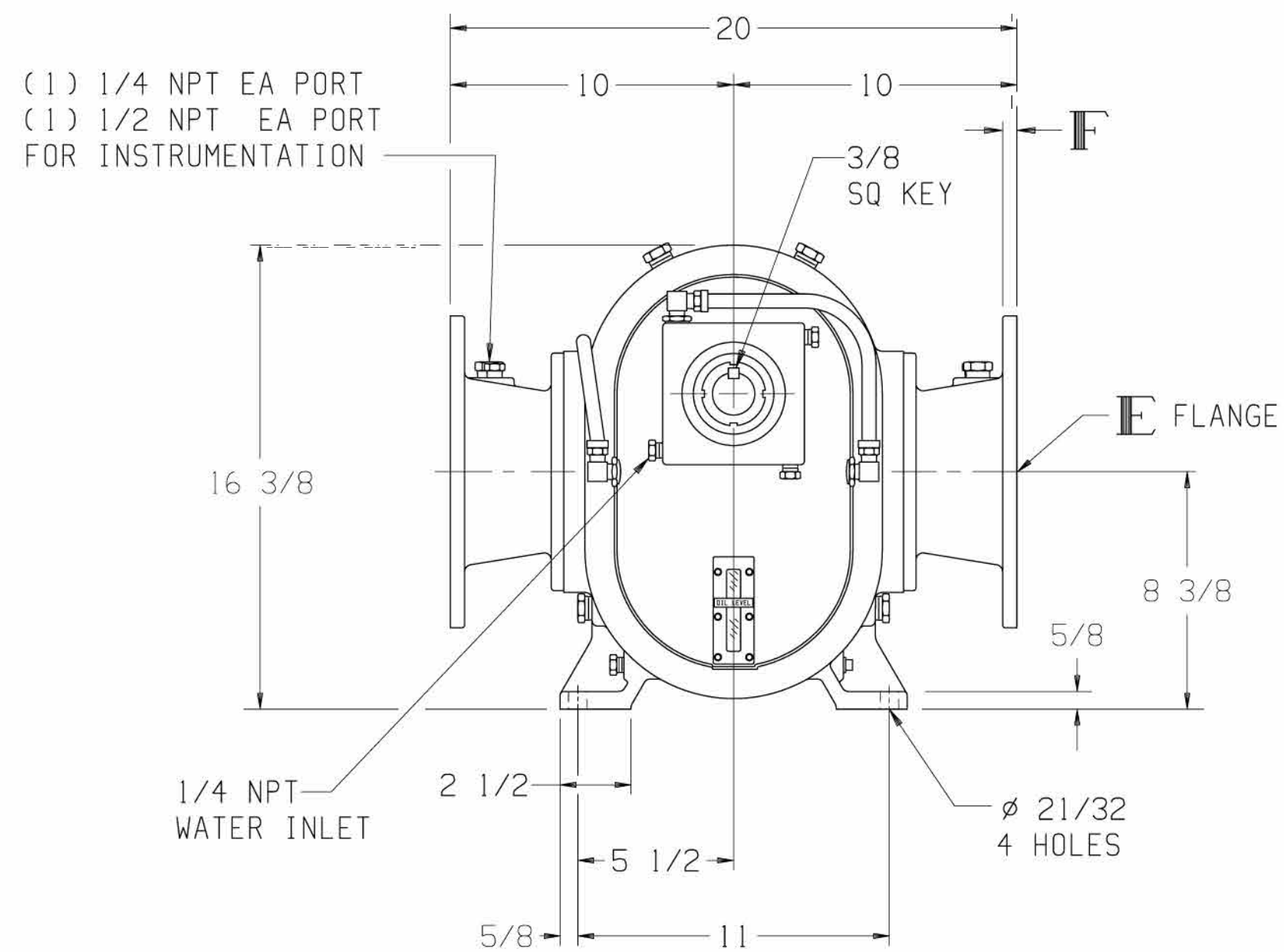


LTR	REVISION	DATE	DR	CH
E	UPDATED DWG: ADDED 93TW: REDESIGNED DRIVE SHAFT AREA: SHAFT WAS 1 3/8 DIA (ECN 5524)	7-31-09	CM	BD



MODEL	A	B	C	D	E	F
850	29 13/16	17 13/16	12	10 3/4	6 FLG	1/2
1200	33 5/16	19 9/16	13 3/4	14 1/4	6 FLG	1/2
1600	36 5/16	21 1/16	15 1/4	17 1/4	6 FLG	9/16
2000	40 5/16	23 1/16	17 1/4	21 1/4	8 FLG	9/16
2700	46 5/16	26 1/16	20 1/4	27 1/4	10 FLG	1



1200 SHOWN

REFER TO CURRENT MAINTENANCE MANUAL FOR SERVICE INSTRUCTIONS.

**800.825.6937**  
 VACUUM BOOSTER OUTLINE  
 850-2700 Cooling Coils  
 DR CM 7-31-09 CH  
 SIZE: C4 SCALE: 3/16 WT LBS