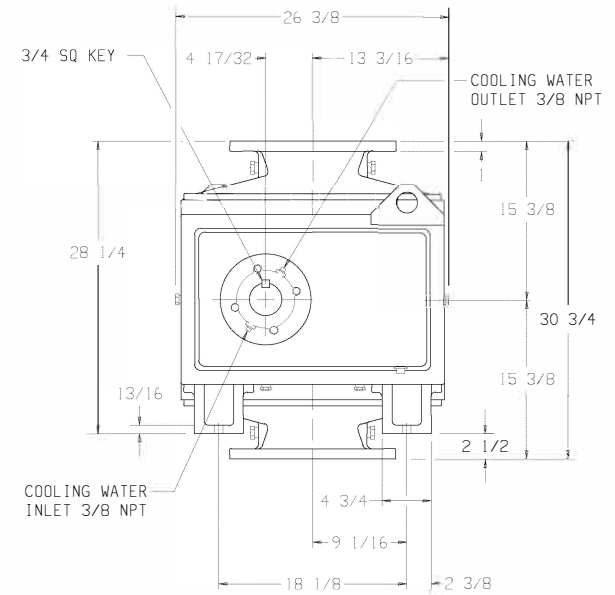
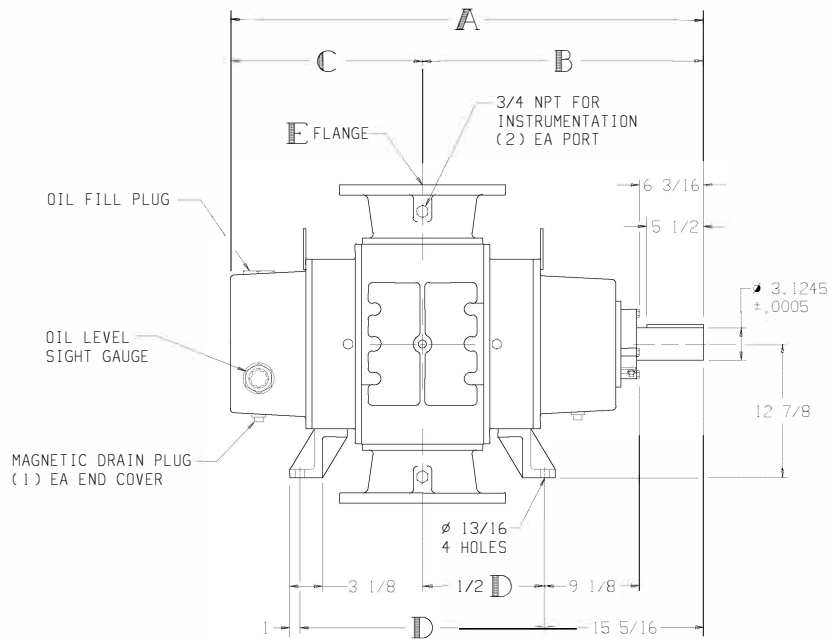


NOTE: ALL FLANGES 125/150 LB ANSI DRILLING

LTR	REVISION	DATE	DR	CH
B	REDRAWN PER LATEST STD'S (ECN 1643)	7-9-91	JS	LB
C	ADDED BLOWER 9036 & 16" FLANGE; REVISED LETTERS FOR TABULATED DIMENSIONS (ECN 2898)	10-7-96	BD	MS

MODEL	A	B	C	D	E
3200	49 11/16	29 3/32	20 19/32	27 9/16	12
4200	54 19/32	31 9/16	23 1/32	32 1/2	12
5400	61 1/2	35	26 1/2	39 3/8	14
7300	70 3/16	39 11/32	30 27/32	48 1/16	16



LEFT DRIVE SHOWN

REFER TO CURRENT MAINTENANCE MANUAL FOR SERVICE INSTRUCTIONS.

Tuthill 800.825.6937

VACUUM BOOSTER OUTLINE

SIZE: C2 3200-7300 Vertical

DR JS 7-9-91 CH LB 4-23-92