

MODEL	A	B	C	D	E	F	G		H	J	WEIGHT Kg
							∅	NO.			
1800	1037	565	472	375	150	279	22	8	22 1/2°	240	472
2200	1106	600	507	445	200	343	22	8	22 1/2°	295	517
2900	1208	651	558	546	250	406	22	12	15°	350	574
3600	1310	702	609	648	300	483	22	12	15°	400	653
4500	1437	765	672	775	300	483	22	12	15°	400	721

LTR	REVISION	DATE	DR	CH
A	CHG DIMENSION LETTER DESIGNATIONS (ECN 2913)	10-30-96	NF	AO
B	MOTOR MTG HOLES WERE ∅ 20 MM (ECN 2917)	11-11-96	NF	AO
C	BLOWER MODEL WAS 7000-96M (ECN 3009)	5-28-97	CM	LB
D	ADDED KIT W/ COUPLING TABLE (ECN 3298) CHG'D ALL WEIGHTS (ECN 3296)	9-28-98	CWM	AO
E	REVISED ENDPLATE FOR COOLING COILS (ECN 4545)	3-23-07	TK	CM
F	1) REMOVED NOTE 4 COOLING WATER SPECS: 2) NOTE 5 NOW NOTE 4: 3) REMOVED PURGE INSTRUCTIONS (ECN 5847)	6-11-13	BD	CM

MOTOR ADAPTER									
MTR FRAME SIZE	M-D PART #	K ±.05	∅L	M	N	P	R APPROX	WEIGHT	
160L & 160M	77129-160	250.10	300	4	45°	203	486	32 Kg	
180L & 180M	77129-180	250.10	300	4	45°	203	576	32 Kg	
200L	77129-200	300.10	350	4	45°	203	611	33 Kg	
225M	77129-225	350.10	400	8	22.5°	203	690	34 Kg	
225S & 225M	77129-225X	350.10	400	8	22.5°	232	690	35 Kg	

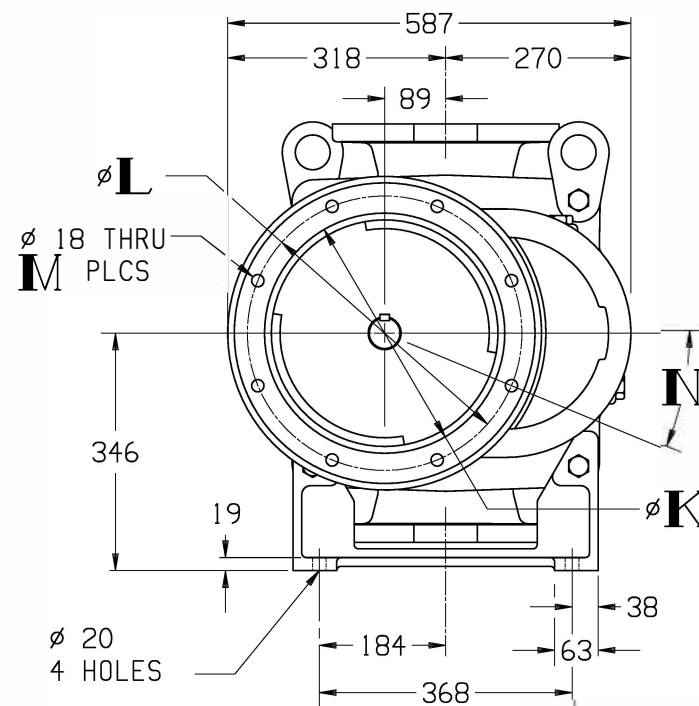
MOTOR ADAPTER KIT WITH COUPLING	
MTR FRAME SIZE	M-D KIT #
160L & 160M	77129-160CP
180L & 180M	77129-180CP
200L	77129-200CP
225M	77129-225CP
225S & 225M	77129-225XCP

USE WOOD'S 8S SURE-FLEX COUPLING WITH SPLIT HYTREL SLEEVE OR EQUAL.

NOTE:

1. REFER TO CURRENT MAINTENANCE MANUAL FOR SERVICE INSTRUCTIONS. FIELD CONVERSION OF DRIVE SHAFT LOCATION OR CHANGING TO HORIZONTAL FLOW.
2. MAXIMUM DISCHARGE TEMPERATURE: 190° C
3. MAXIMUM RPM: 3000
4. ALL DIMENSIONS ARE IN MILLIMETERS

(F1) (F2)



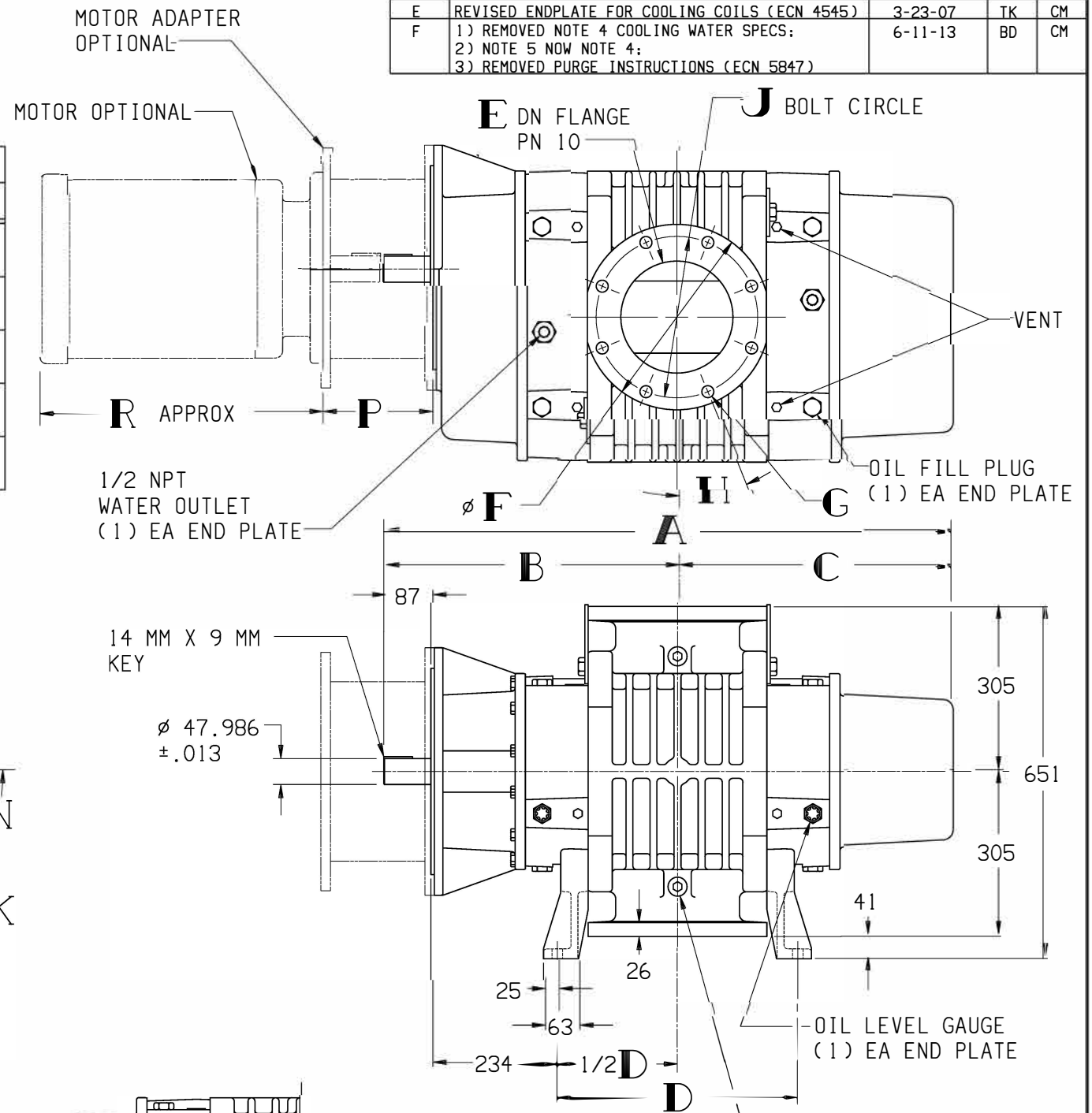
MOTOR ADAPTER SHOWN

MAGNETIC DRAIN PLUG (1) EA END PLATE

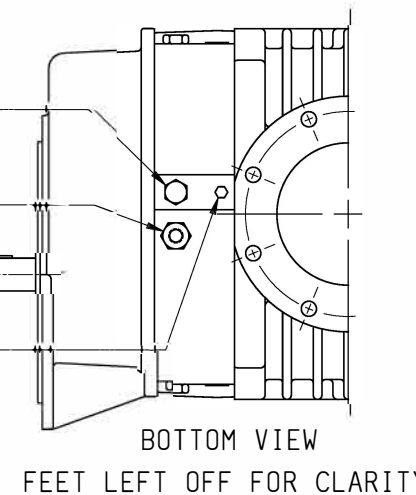
1/2 NPT WATER INLET (1) EA END PLATE

VENT HOLES (PLUGGED) (5) 3/8 NPT EA END PLATE

(F3)



2200 LEFT DRIVE SHOWN



BOTTOM VIEW
FEET LEFT OFF FOR CLARITY

Tuthill 800.825.6937
VACUUM BOOSTER OUTLINE (METRIC)

SIZE: C2	1800-4500 Vert Mech Seal Metric
DR NF 9-30-96	CH AO 10-3-96