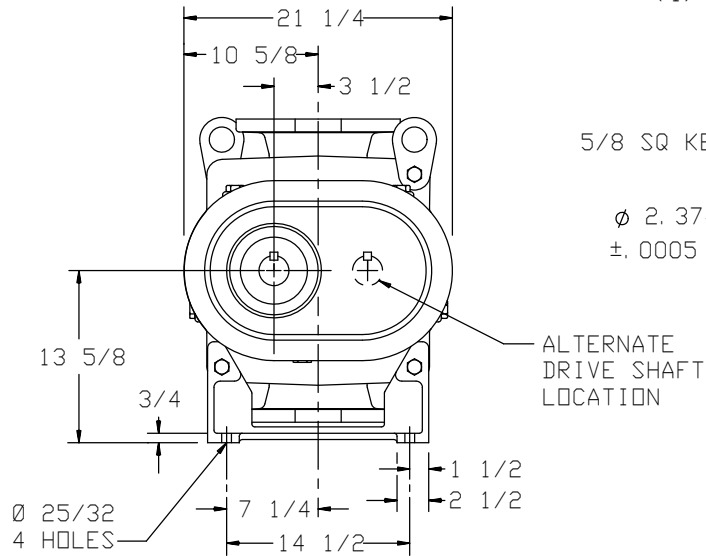
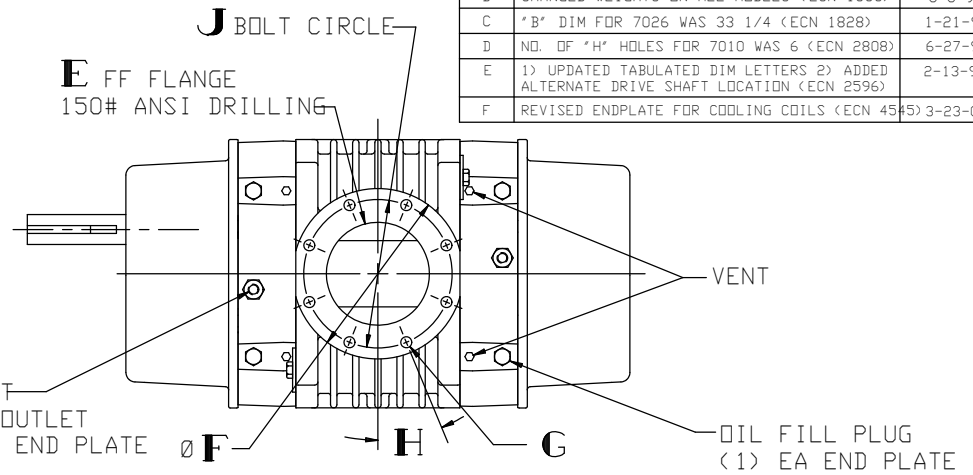
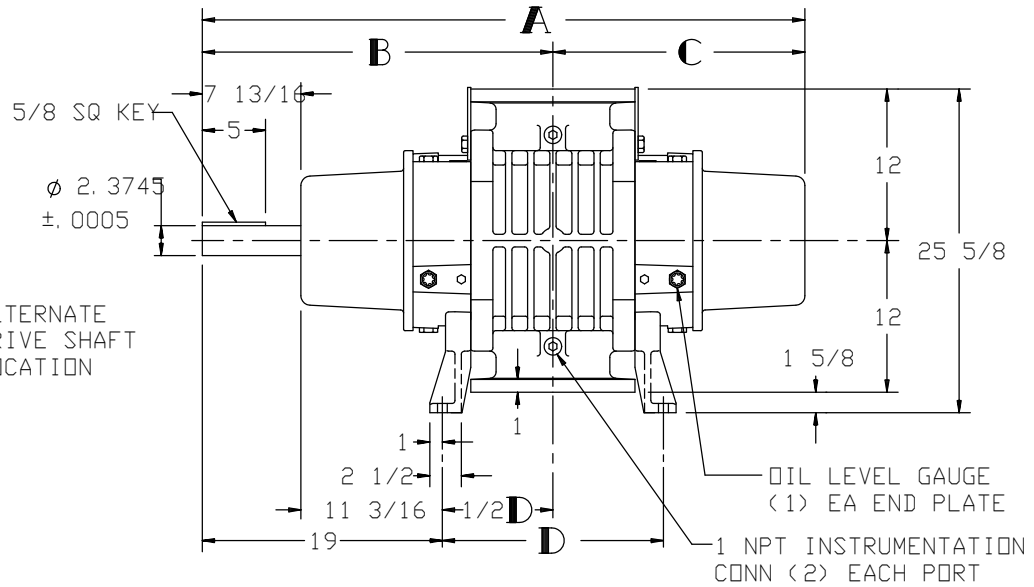


MODEL	A	B	C	D	E	F	G		H	J	WEIGHT LBS
							Ø	NO.			
1800	44 <sup>15</sup> / <sub>16</sub>	26 <sup>3</sup> / <sub>8</sub>	18 <sup>9</sup> / <sub>16</sub>	14 <sup>3</sup> / <sub>4</sub>	6	11	7/8	8	22 1/2°	9 1/2	1050
2200	47 <sup>1</sup> / <sub>16</sub>	27 <sup>3</sup> / <sub>4</sub>	19 <sup>15</sup> / <sub>16</sub>	17 1/2	8	13 1/2	7/8	8	22 1/2°	11 3/4	1150
2900	51 <sup>1</sup> / <sub>16</sub>	29 <sup>3</sup> / <sub>4</sub>	21 <sup>15</sup> / <sub>16</sub>	21 1/2	10	16	1	12	15°	14 1/4	1275
3600	55 <sup>1</sup> / <sub>16</sub>	31 <sup>3</sup> / <sub>4</sub>	23 <sup>15</sup> / <sub>16</sub>	25 1/2	12	19	1	12	15°	17	1450
4500	60 <sup>1</sup> / <sub>16</sub>	34 1/4	26 <sup>7</sup> / <sub>16</sub>	30 1/2	12	19	1	12	15°	17	1600

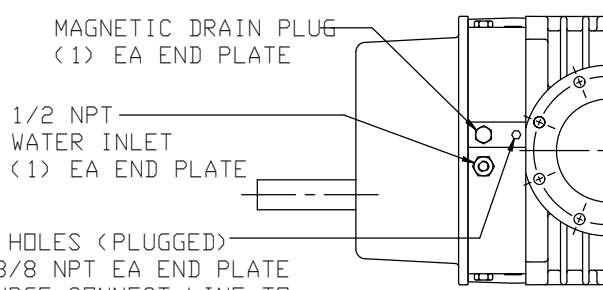
LTR	REVISION	DATE	DR	CH
B	CHANGED WEIGHTS ON ALL MODELS (ECN 1380)	8-8-91	LB	LB
C	"B" DIM FOR 7026 WAS 33 1/4 (ECN 1828)	1-21-92	JS	AD
D	NO. OF "H" HOLES FOR 7010 WAS 6 (ECN 2808)	6-27-96	CM	LB
E	1) UPDATED TABULATED DIM LETTERS 2) ADDED ALTERNATE DRIVE SHAFT LOCATION (ECN 2596)	2-13-97	SD	CM
F	REVISED ENDPLATE FOR COOLING COILS (ECN 4545)	3-23-07	TK	CM



LEFT DRIVE SHOWN




2200 SHOWN



NOTE: FEET LEFT OFF BOTTOM VIEW FOR CLARITY

NOTE:

1. REFER TO CURRENT MAINTENANCE MANUAL FOR SERVICE INSTRUCTIONS, FIELD CONVERSION OF DRIVE SHAFT LOCATION OR CHANGING TO HORIZONTAL FLOW.
2. MAXIMUM DISCHARGE TEMPERATURE: 375° F
3. MAXIMUM RPM: 3000
4. COOLING WATER SPECIFICATIONS WHEN REQD: VENT HOLES (PLUGGED)  
FLOW RATE: LESS THAN 2 GPM TOTAL BOTH END PLATES  
MAXIMUM PRESSURE: 75 PSIG



**VACUUM BOOSTER OUTLINE**

SIZE: GA-1800-4500 VERT  
C2

DR SY 11-3-89 CH AD 11-3-89