

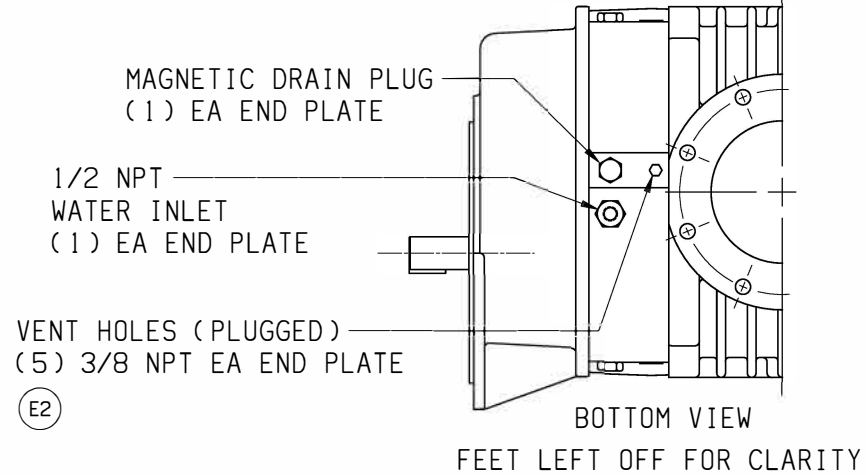
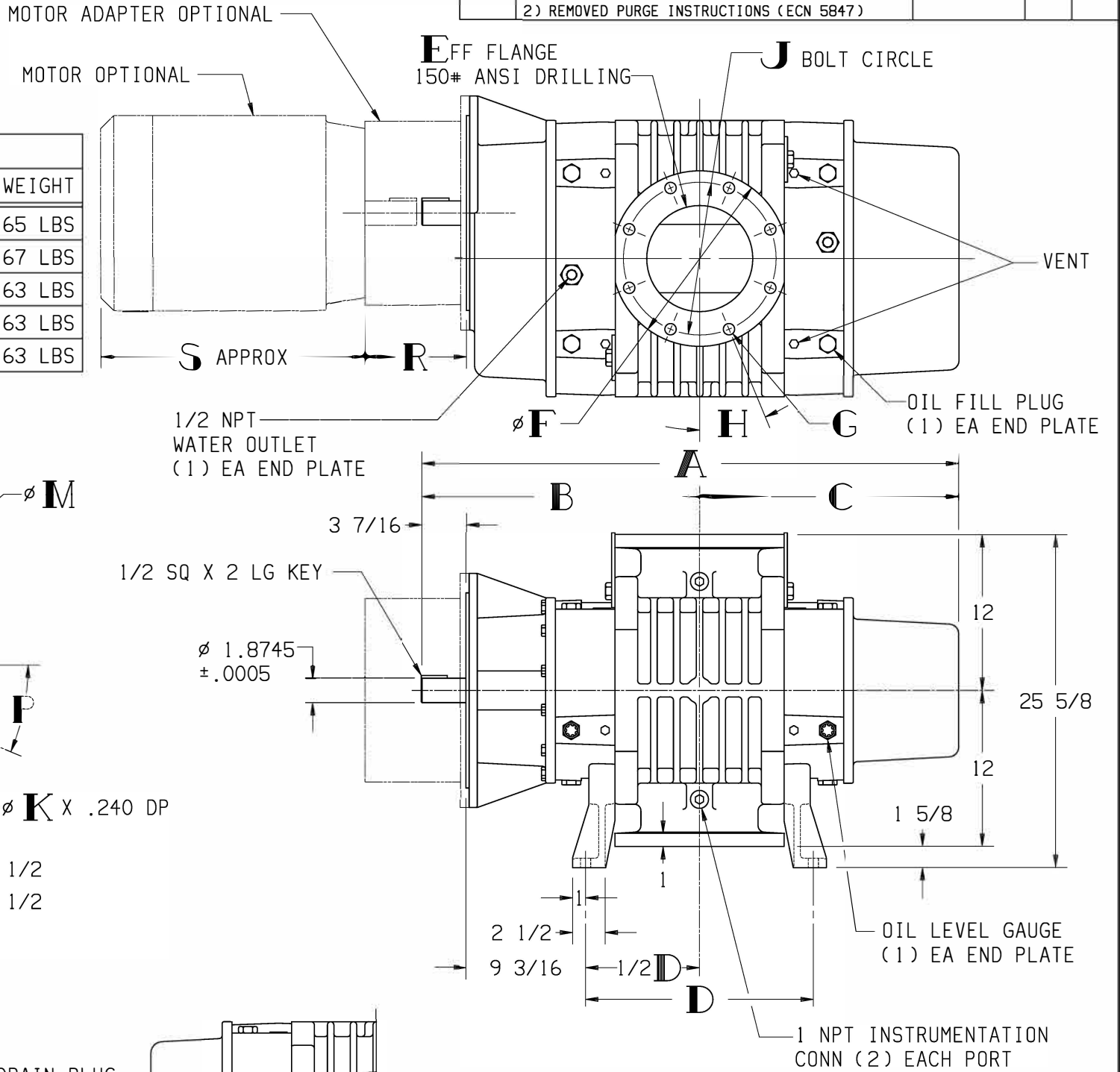
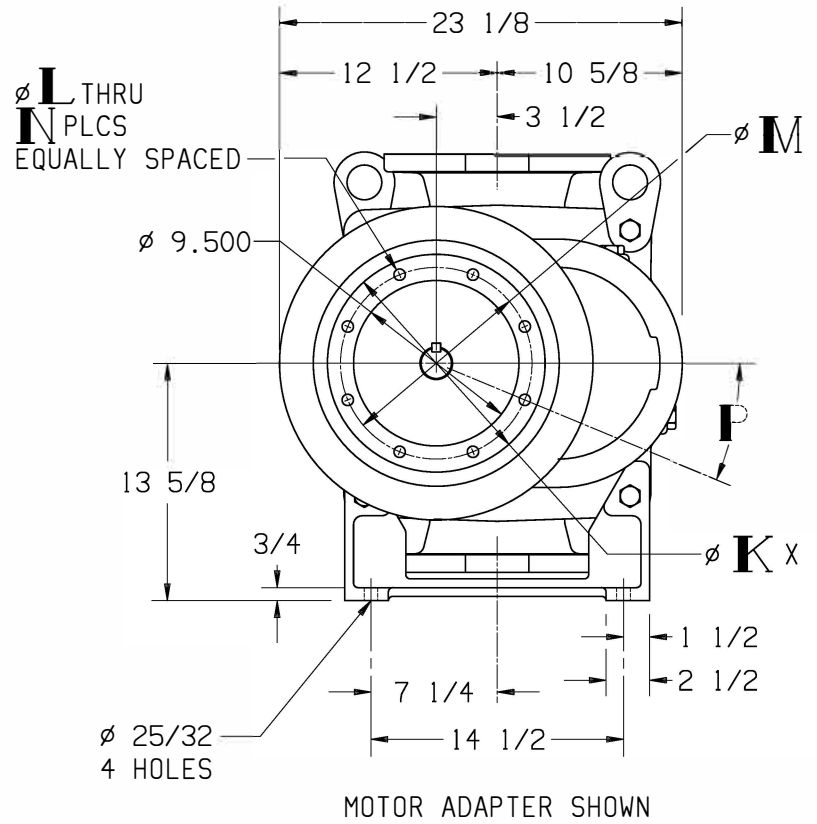
LTR	REVISION	DATE	DR	CH
A	CHG DIMENSION LETTER DESIGNATIONS (ECN 2913)	10-30-96	NF	AO
B	BLOWER MODEL WAS 7000-96 (ECN 3009)	5-28-97	CM	LB
C	ADDED 284TC & 286TC. CHG'D WEIGHTS ADDED KIT W/ COUPLING TABLE (ECN 3296)	9-28-98	CWM	AO
D	REVISED ENDPL FOR COOLING COILS (ECN 4545)	3-23-07	TK	CM
E	1) REMOVED NOTE 4 COOLING WATER SPECS. 2) REMOVED PURGE INSTRUCTIONS (ECN 5847)	6-10-13	BD	CM

MODEL	A	B	C	D	E	F	G		H	J	WEIGHT LBS
							∅	NO.			
1800	40 13/16	22 1/4	18 9/16	14 3/4	6	11	7/8	8	22 1/2°	9 1/2	1040
2200	43 9/16	23 5/8	19 15/16	17 1/2	8	13 1/2	7/8	8	22 1/2°	11 3/4	1140
2900	47 9/16	25 5/8	21 15/16	21 1/2	10	16	1	12	15°	14 1/4	1265
3600	51 9/16	27 5/8	23 15/16	25 1/2	12	19	1	12	15°	17	1440
4500	56 9/16	30 1/8	26 7/16	30 1/2	12	19	1	12	15°	17	1590

MOTOR ADAPTER										
MTR FRAME SIZE	M-D PART #	K ±.002	∅L	M	N	P	R	S APPROX	WEIGHT	
254TC/256TC	77131-250TC	8.504	9/16	7.25	4	45°	7.65	21.06	65 LBS	
284TC/286TC	77131-280TC	10.504	9/16	9.00	4	45°	8.26	22.82	67 LBS	
284TSC/286TSC	77131-280TSC	10.504	9/16	9.00	4	45°	6.90	22.82	63 LBS	
324TSC/326TSC	77131-320TSC	12.504	11/16	11.00	4	45°	7.40	25.19	63 LBS	
364TSC/365TSC	77131-360TSC	12.504	11/16	11.00	8	22.5°	7.40	27.56	63 LBS	

MOTOR ADAPTER KIT WITH COUPLING	
MTR FRAME SIZE	M-D KIT #
254TC/256TC	77131-250TCCP
284TC/286TC	77131-280TCCP
284TSC/286TSC	77131-280TSCCP
324TSC/326TSC	77131-320TSCCP
364TSC/365TSC	77131-360TSCCP

USE WOOD'S 8S SURE-FLEX COUPLING WITH SPLIT HYTREL SLEEVE OR EQUAL.



- NOTE:
- REFER TO CURRENT MAINTENANCE MANUAL FOR SERVICE INSTRUCTIONS. FIELD CONVERSION OF DRIVE SHAFT LOCATION OR CHANGING TO HORIZONTAL FLOW.
 - MAXIMUM DISCHARGE TEMPERATURE: 375° F
 - MAXIMUM RPM: 3000

(E1)

Tuthill 800.825.6937

VACUUM BOOSTER OUTLINE

SIZE: C2 1800-4500-Mech Seal Vert C-Flg

DR NF 9-27-96 CH AO 10-2-96