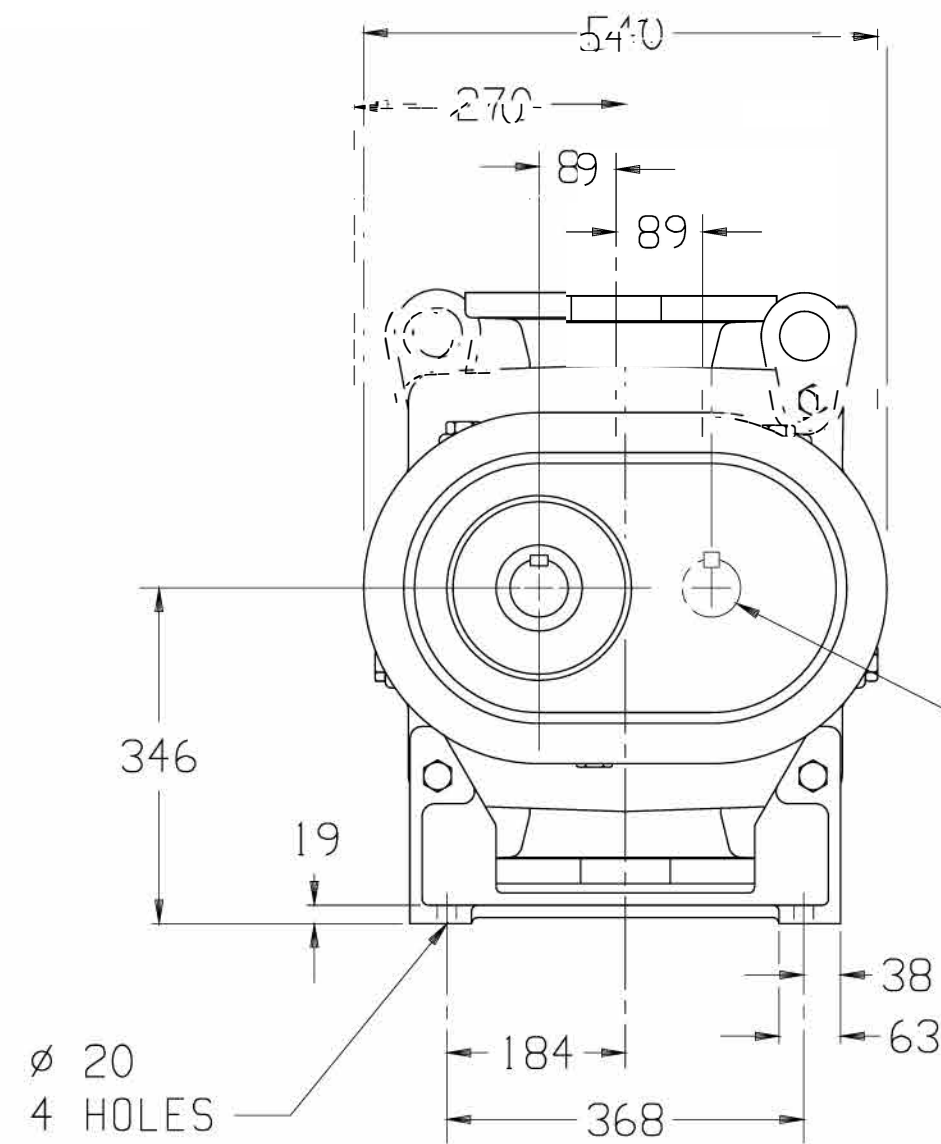


MODEL	A	B	C	D	E	F	G		H	J	WEIGHT KGS
							Ø	NO.			
1800	1142	670	472	375	150	279	22	3	22 1/2°	240	476
2200	1212	705	507	445	200	343	22	2	22 1/2°	295	522
2900	1313	755	558	546	250	406	22	12	15°	350	578
3600	1415	806	609	648	300	483	22	12	15°	400	658
4500	1542	870	672	775	300	483	22	12	15°	400	726

LTR	REVISION	DATE	DR	CH
A	REVISED LETTERS IN TABLE (ECN 2614)	5-11-95	BD	CM
B	ADDED ALTERNATE DR SHAFT LOCATION (ECN 2596)	2-13-97	SD	CM
C	BLOWER MODEL WAS 7000-90M (ECN 3009)	5-28-97	CM	LB
D	REVISED ENDPLATE FOR COOLING COILS (ECN 4545)	3-23-07	TK	CM

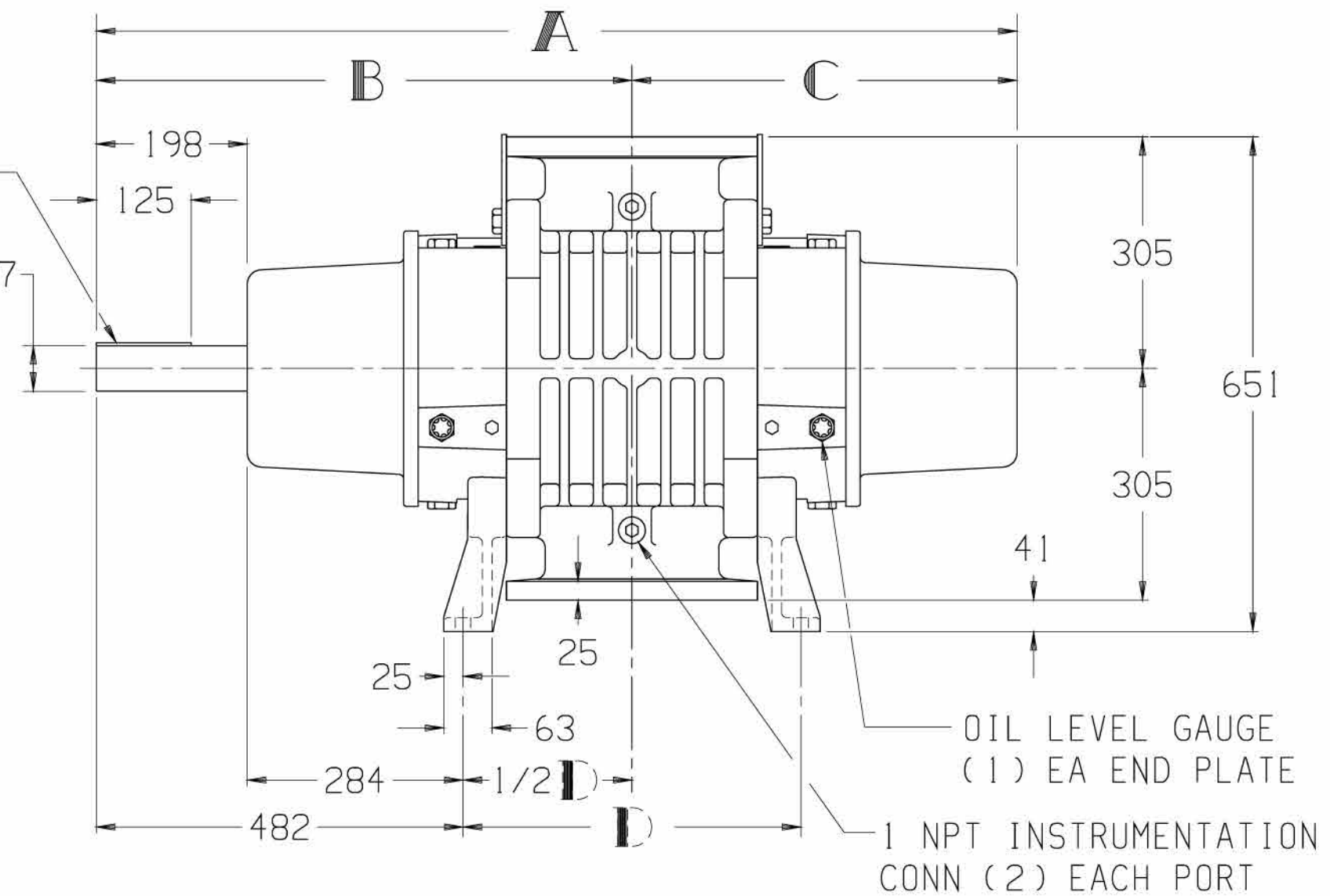
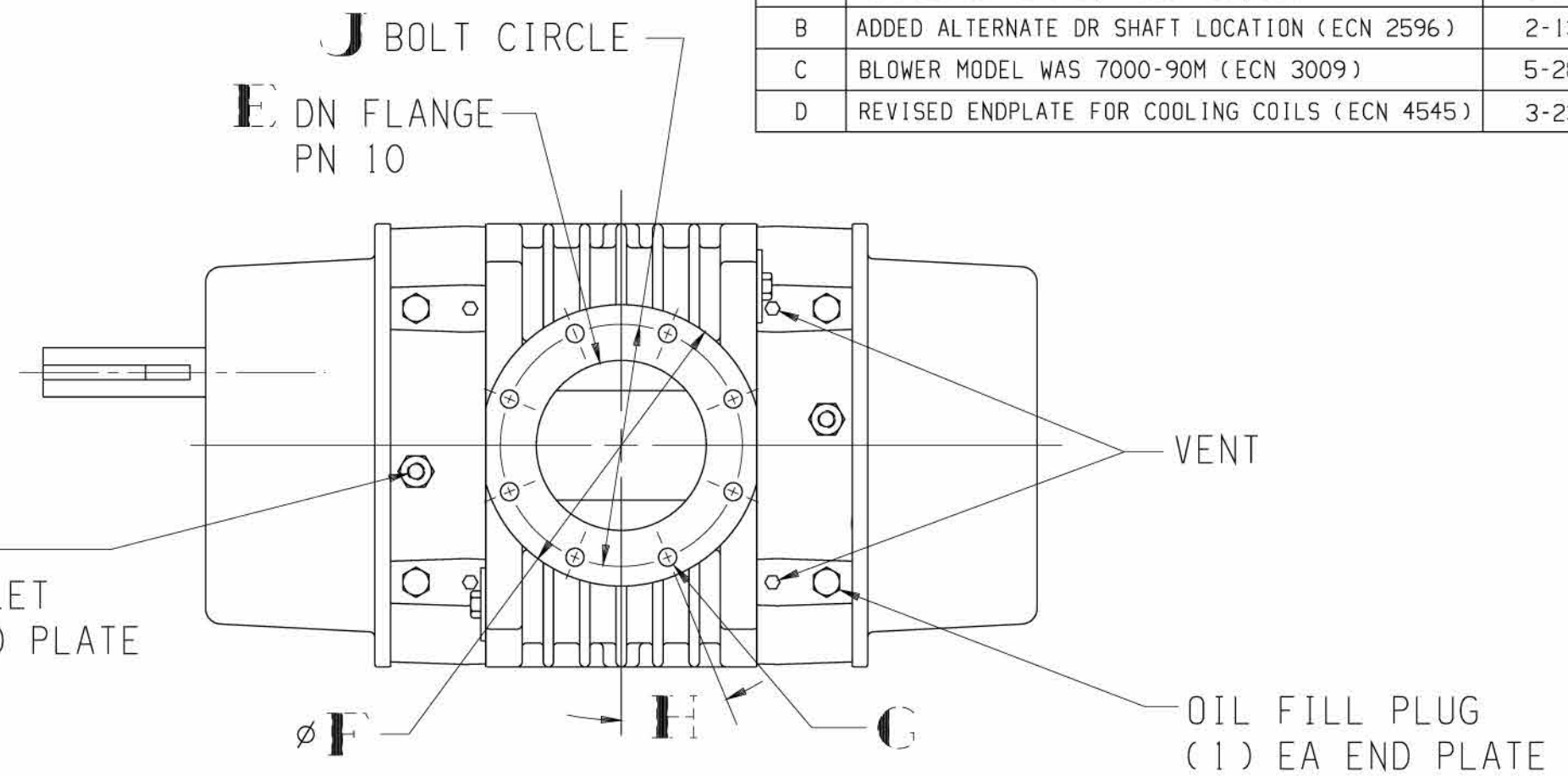


LEFT DRIVE SHOWN

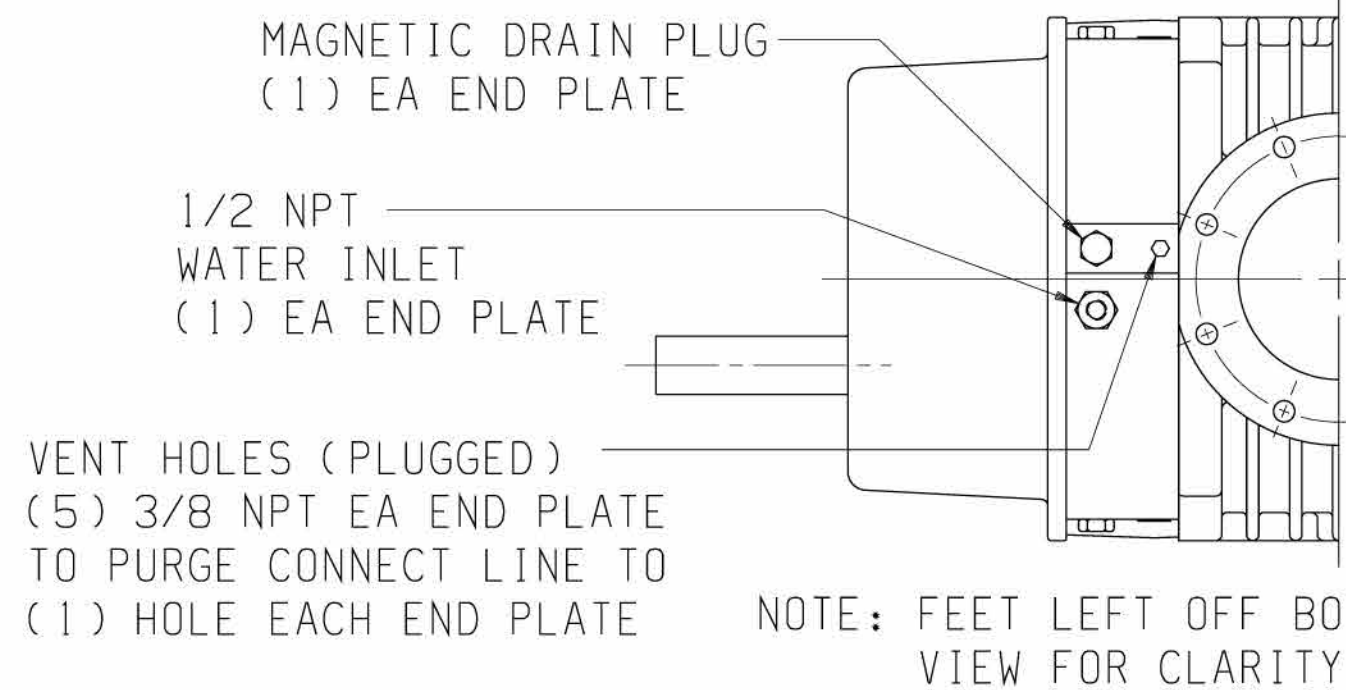
NOTE:

- REFER TO CURRENT MAINTENANCE MANUAL FOR SERVICE INSTRUCTIONS, FIELD CONVERSION OF DRIVE SHAFT LOCATION OR CHANGING TO HORIZONTAL FLOW.
- MAXIMUM DISCHARGE TEMPERATURE: 375° F
- MAXIMUM RPM: 3000
- COOLING WATER SPECIFICATIONS WHEN REQD:  
FLOW RATE: LESS THAN 2 GPM TOTAL BOTH END PLATES  
MAXIMUM PRESSURE: 75 PSIG
- ALL DIMENSIONS ARE IN MILLIMETERS.

18MM X 11MM, KEY  
Ø 59.987 ±.013



2200 SHOWN



**Tuthill** 800.825.6937  
VACUUM BOOSTER OUTLINE (METRIC)

SIZE: C2 1800-4500 Vert Mech Seal Metric

DR NF 1-30-95 CH A0 1-30-95