

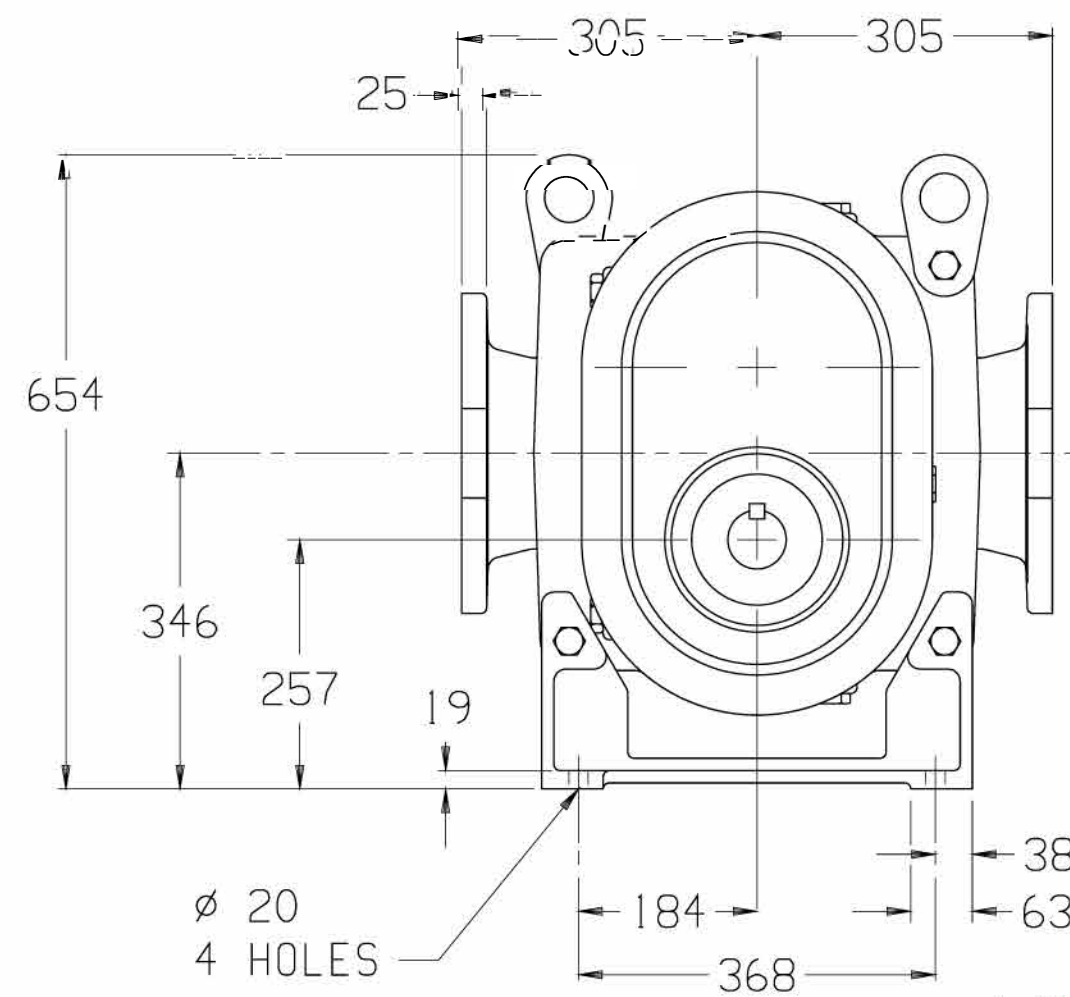
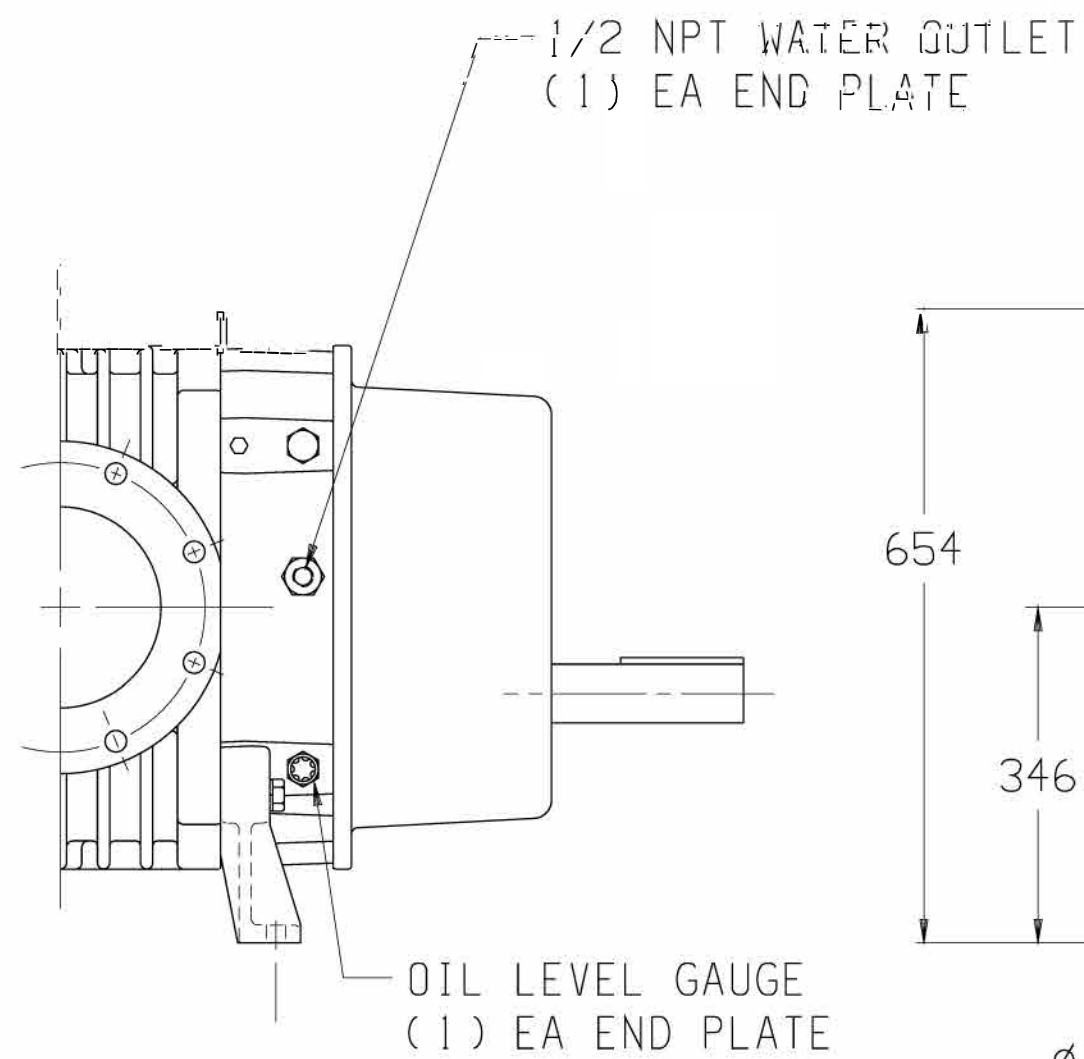
LTR	REVISION	DATE	DR	CH
A	ADDED NOTE 6 FOR ALTERNATE DRIVE (ECN 2596)	2-14-97	SD	CM
B	BLOWER MODEL WAS 7000-91M (ECN 3009)	5-28-97	CM	LB
C	REVISED ENDPL FOR COOLING COILS (ECN 4545)	3-23-07	TK	CM

MODEL	A	B	C	D	E	F	G		H	J	WEIGHT KGS
							Ø	NO.			
1800	1142	670	472	375	150	279	22	8	22 1/2°	240	476
2200	1212	705	507	445	200	343	22	8	22 1/2°	295	522
2900	1313	755	558	546	250	406	22	12	15°	350	578
3600	1415	806	609	648	300	483	22	12	15°	400	658
4500	1542	870	672	775	300	483	22	12	15°	400	726

1 NPT INSTRUMENTATION  
CONN. (2) EA PORT

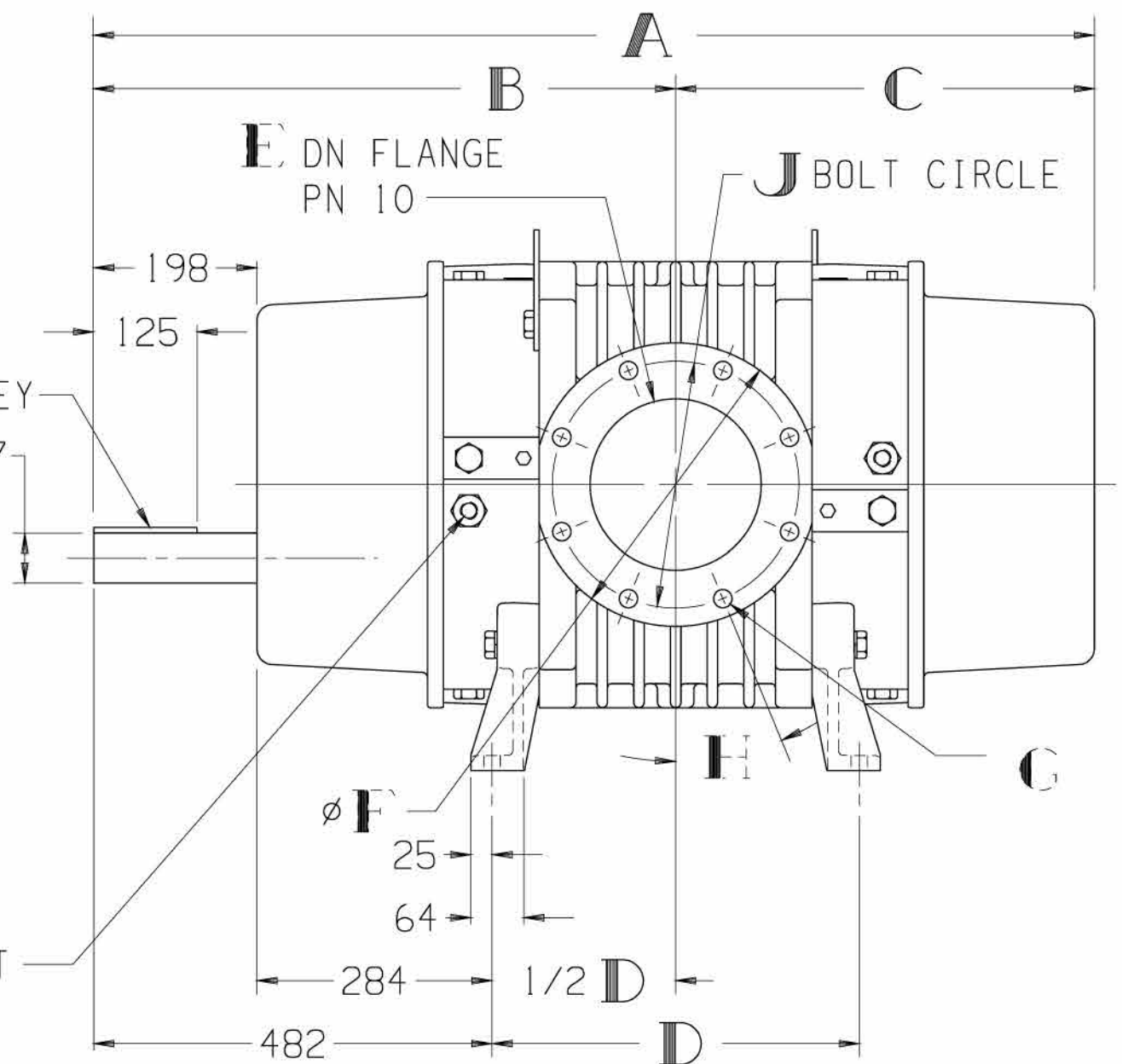
OIL FILL PLUG  
(1) EA END PLATE

VENT



18MM X 11MM KEY  
Ø 59.987  
±.013

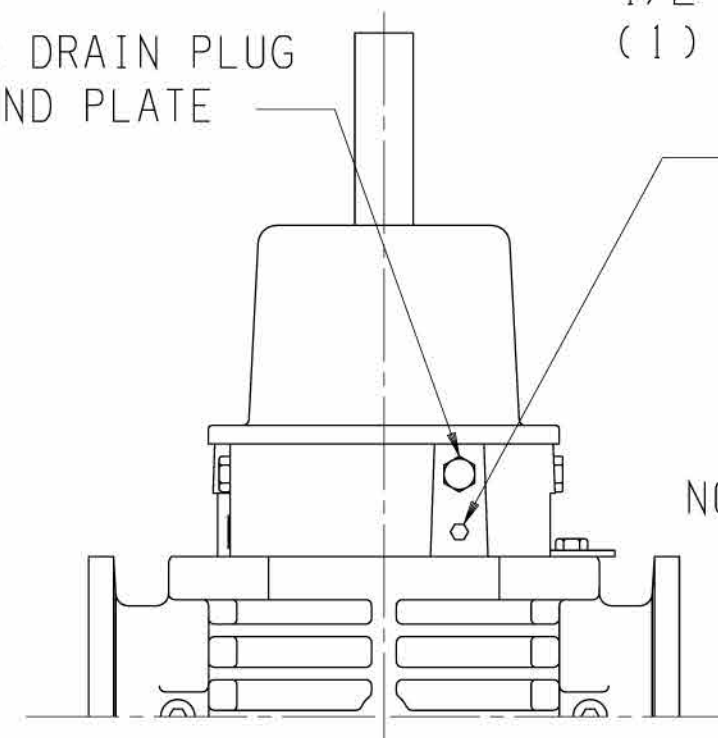
1/2 NPT WATER INLET  
(1) EA END PLATE



2200 SHOWN

MAGNETIC DRAIN PLUG  
(1) EA END PLATE

VENT HOLES PLUGGED  
(5) 3/8 NPT EA END PLATE  
TO PURGE, CONNECT  
LINE TO (1) HOLE  
EA END PLATE



NOTE: FEET LEFT OFF  
BOTTOM VIEW FOR  
CLARITY

NOTE:

1. REFER TO CURRENT MAINTENANCE MANUAL FOR SERVICE INSTRUCTIONS OR FOR FIELD CONVERSION TO VERTICAL FLOW.
2. MAXIMUM DISCHARGE TEMPERATURE: 375° F
3. MAXIMUM RPM: 3000
4. COOLING WATER SPECIFICATIONS WHEN REQD:  
FLOW RATE: LESS THAN 2 GPM TOTAL  
BOTH END PLATES  
MAXIMUM PRESSURE: 75 PSIG
5. ALL DIMENSIONS ARE IN MILLIMETERS.
6. FOR TOP DRIVE, USE INTEGRAL LUBE. REFER TO 7000M-33 SERIES.

**Tuthill** 800.825.6937

VACUUM BOOSTER OUTLINE  
(METRIC)

SIZE: C2 1800-4500 Horz Mech Seal Metric

DR BD 5-10-95 CH CM 5-25-95