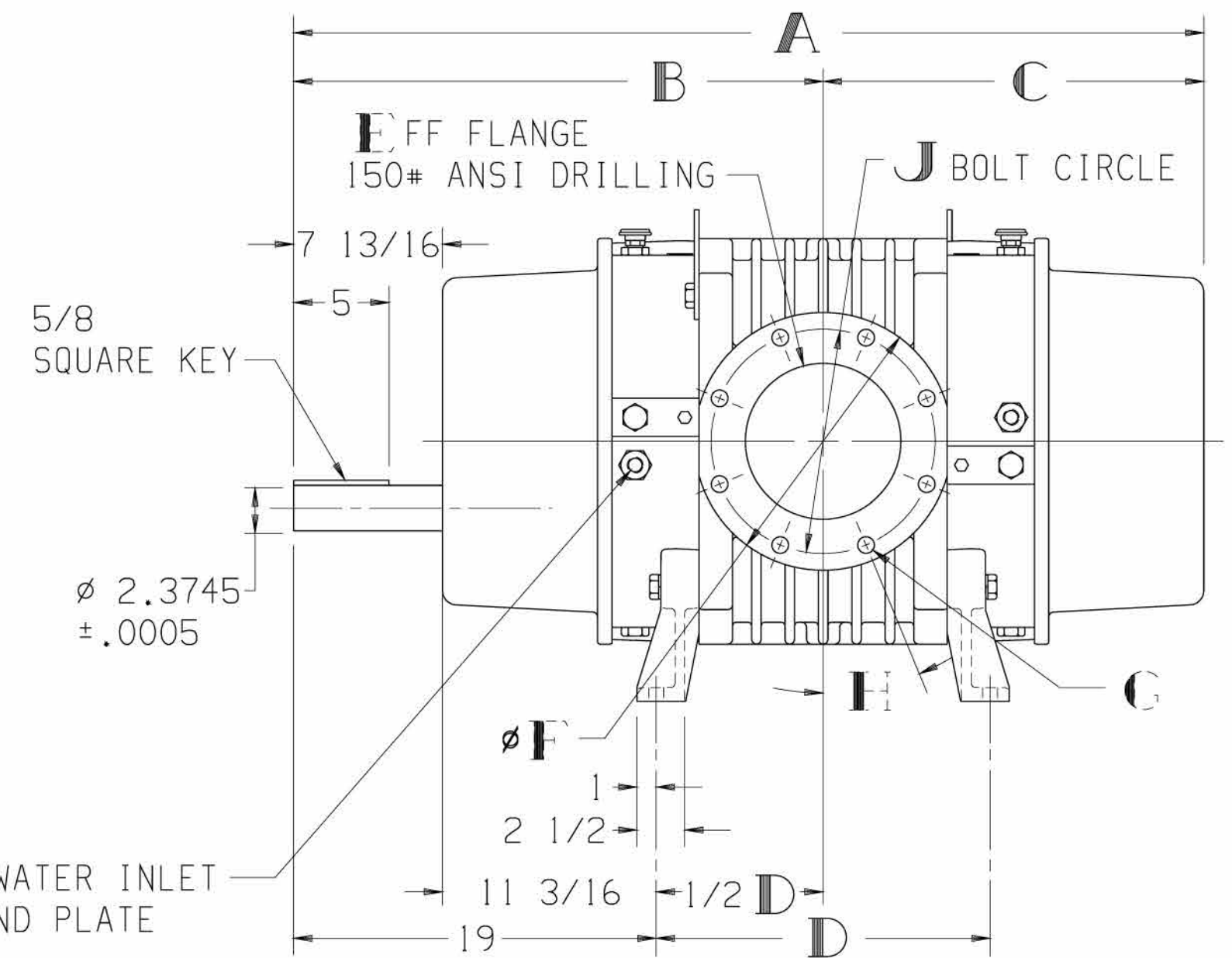
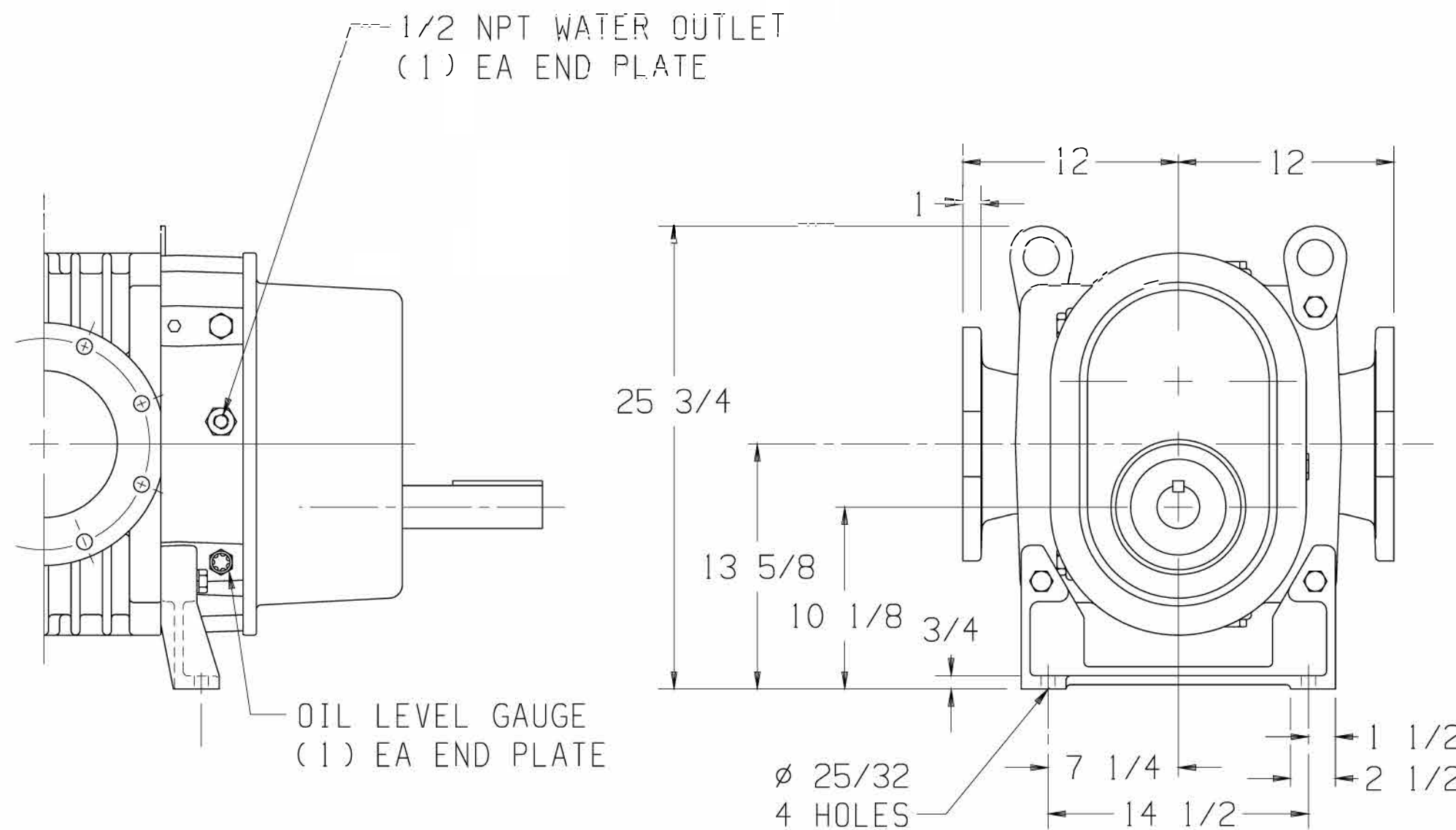
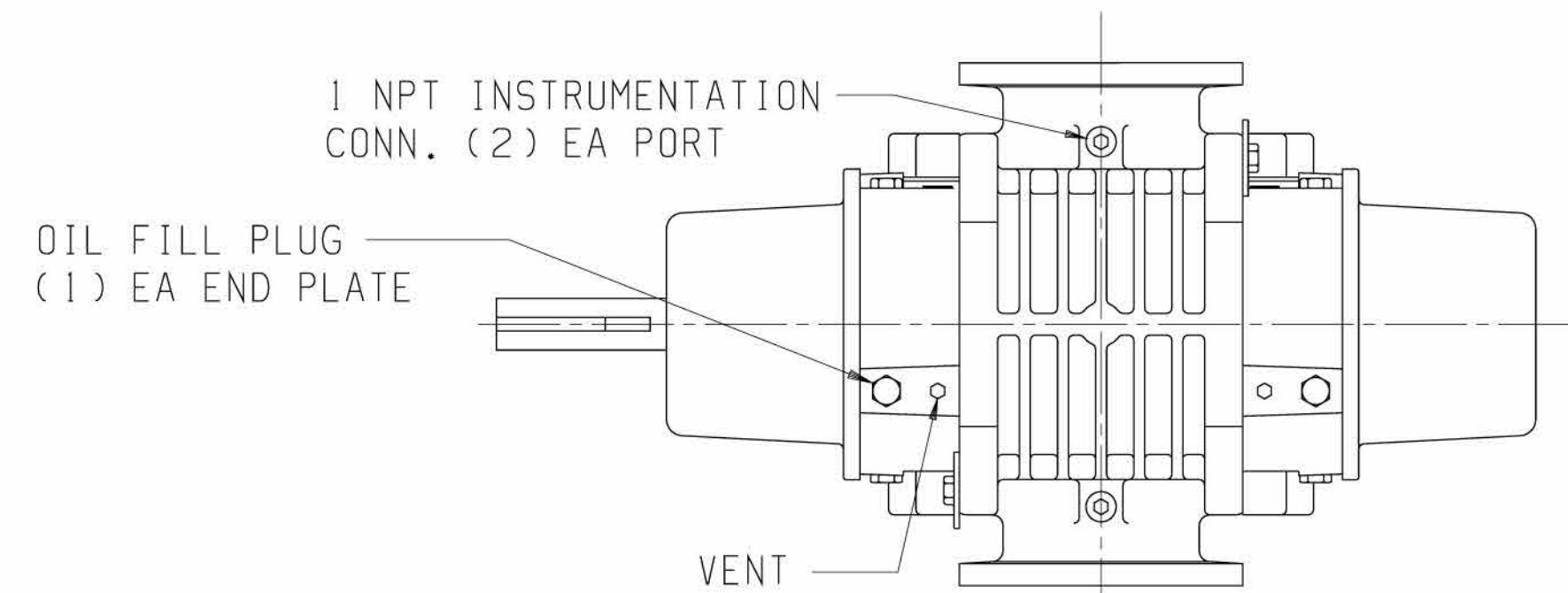


LTR	REVISION	DATE	DR	CH
E	1) REVISED TABULATED DIM LETTERS; 2) ADDED NOTE 5 FOR ALTERNATE DRIVE (ECN 2596)	2-14-97	SD	CM
F	REVISED ENDPL FOR COOLING COILS (ECN 4545)	3-23-07	TK	CM

MODEL	A	B	C	D	E	F	G		H	J	WEIGHT LBS
							∅	NO.			
1800	44 <sup>15</sup> / <sub>16</sub>	26 <sup>3</sup> / <sub>8</sub>	18 <sup>9</sup> / <sub>16</sub>	14 <sup>3</sup> / <sub>4</sub>	6	11	<sup>7</sup> / <sub>8</sub>	8	22 <sup>1</sup> / <sub>2</sub>	9 <sup>1</sup> / <sub>2</sub>	1000
2200	47 <sup>1</sup> / <sub>16</sub>	27 <sup>3</sup> / <sub>4</sub>	19 <sup>15</sup> / <sub>16</sub>	17 <sup>1</sup> / <sub>2</sub>	8	13 <sup>1</sup> / <sub>2</sub>	<sup>7</sup> / <sub>8</sub>	8	22 <sup>1</sup> / <sub>2</sub>	11 <sup>3</sup> / <sub>4</sub>	1075
2900	51 <sup>1</sup> / <sub>16</sub>	29 <sup>3</sup> / <sub>4</sub>	21 <sup>15</sup> / <sub>16</sub>	21 <sup>1</sup> / <sub>2</sub>	10	16	1	12	15°	14 <sup>1</sup> / <sub>4</sub>	1175
3600	55 <sup>1</sup> / <sub>16</sub>	31 <sup>3</sup> / <sub>4</sub>	23 <sup>15</sup> / <sub>16</sub>	25 <sup>1</sup> / <sub>2</sub>	12	19	1	12	15°	17	1300
4500	60 <sup>1</sup> / <sub>16</sub>	34 <sup>1</sup> / <sub>4</sub>	26 <sup>7</sup> / <sub>16</sub>	30 <sup>1</sup> / <sub>2</sub>	12	19	1	12	15°	17	1600



MAGNETIC DRAIN PLUG (1) EA END PLATE

1/2 NPT WATER INLET (1) EA END PLATE

VENT HOLES PLUGGED (5) 3/8 NPT EA END PLATE TO PURGE. CONNECT LINE TO (1) HOLE EA END PLATE

NOTE: FEET LEFT OFF BOTTOM VIEW FOR CLARITY

NOTE:

1. REFER TO CURRENT MAINTENANCE MANUAL FOR SERVICE INSTRUCTIONS OR FOR FIELD CONVERSION TO VERTICAL FLOW.
2. MAXIMUM DISCHARGE TEMPERATURE: 375° F
3. MAXIMUM RPM: 3000
4. COOLING WATER SPECIFICATIONS WHEN REQD:  
FLOW RATE: LESS THAN 2 GPM TOTAL BOTH END PLATES  
MAXIMUM PRESSURE: 75 PSIG
5. FOR TOP DRIVE, USE INTEGRAL LUBE. REFER TO 33 SERIES.

2200 SHOWN

**Tuthill** 800.825.6937

VACUUM BOOSTER OUTLINE

SIZE: C2

1800-4500 Horz Mech Seal

DR SY 11-3-89

CH AO 11-3-89