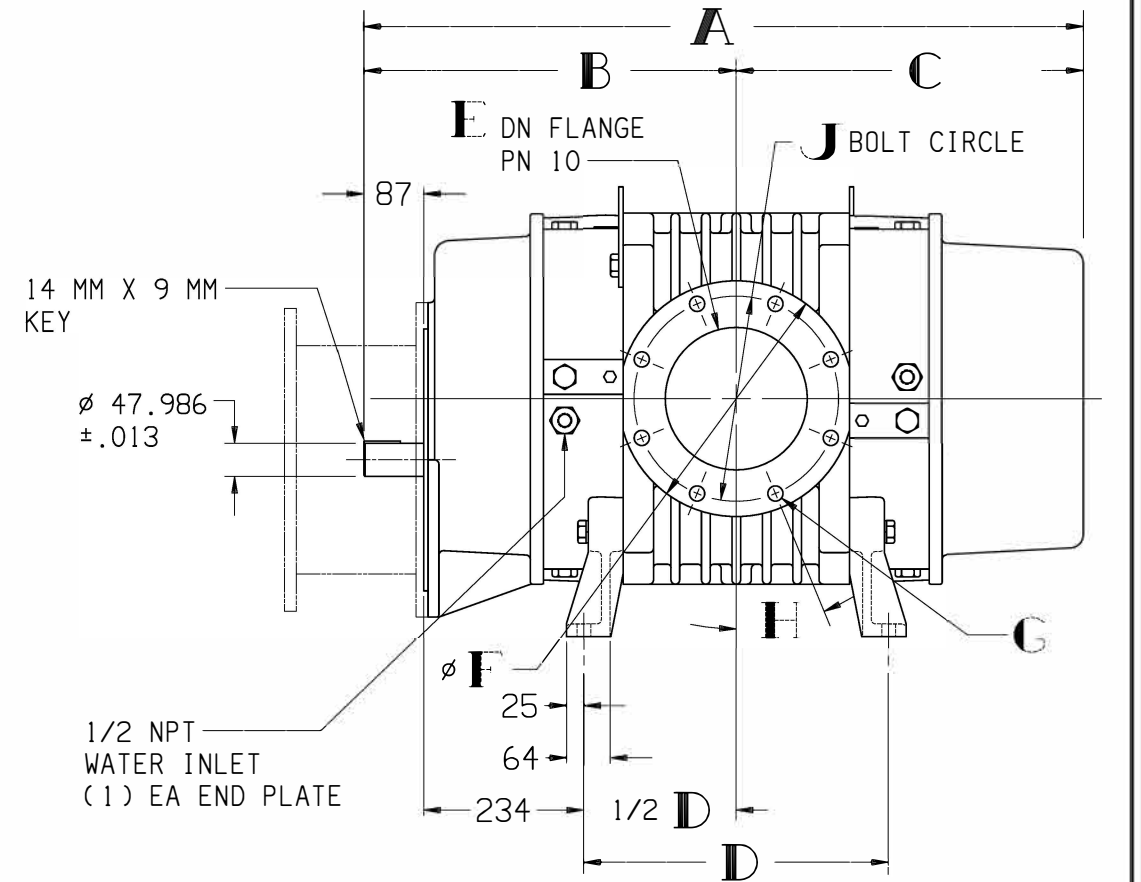
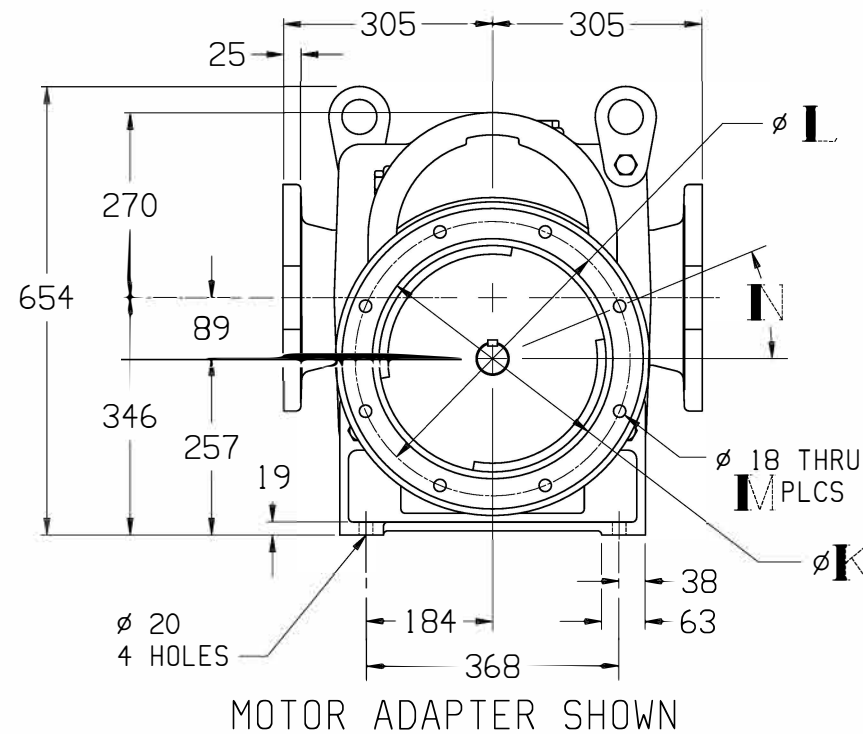
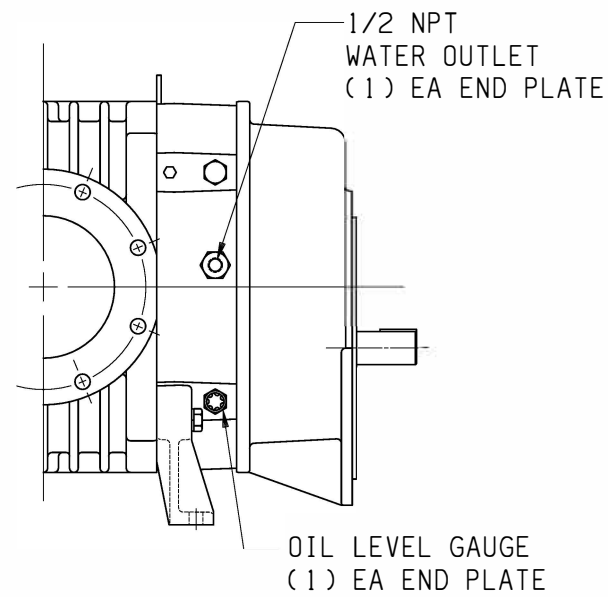
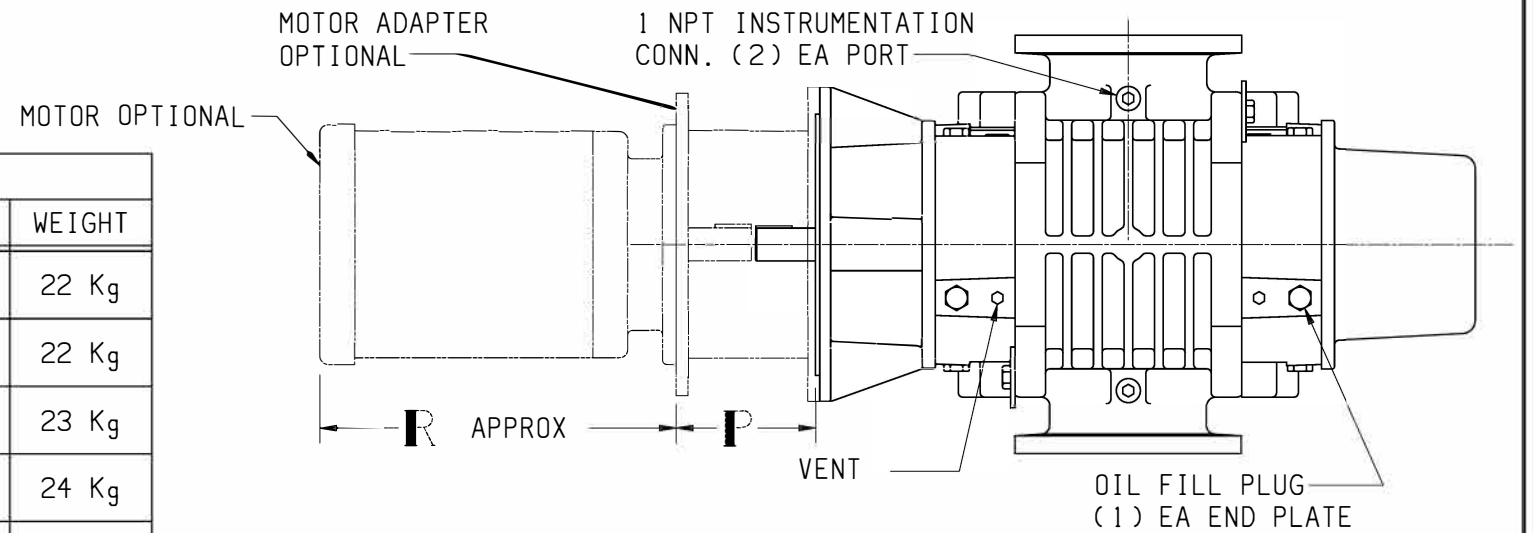


MODEL	A	B	C	D	E	F	G		H	J	WEIGHT Kg
							∅	NO.			
1800	1037	565	472	375	150	279	22	8	22 1/2°	240	472
2200	1106	600	507	445	200	343	22	8	22 1/2°	295	517
2900	1208	651	558	546	250	406	22	12	15°	350	574
3600	1310	702	609	648	300	483	22	12	15°	400	653
4500	1437	765	672	775	300	483	22	12	15°	400	721

LTR	REVISION	DATE	DR	CH
A	MOTOR MTG HOLES WERE ∅ 20 MM (ECN 2917)	11-11-96	NF	A0
B	BLOWER MODEL WAS 7000-97M (ECN 3009)	5-28-97	CM	LB
C	REVISED ENDPL FOR COOLING COILS (ECN 4545)	3-23-07	TK	CM
D	1) REMOVED NOTE 4 COOLING WATER SPECS; 2) NOTE 5 NOW NOTE 4; 3) REMOVED PURGE INSTRUCTIONS (ECN 5847)	6-11-13	BD	CM

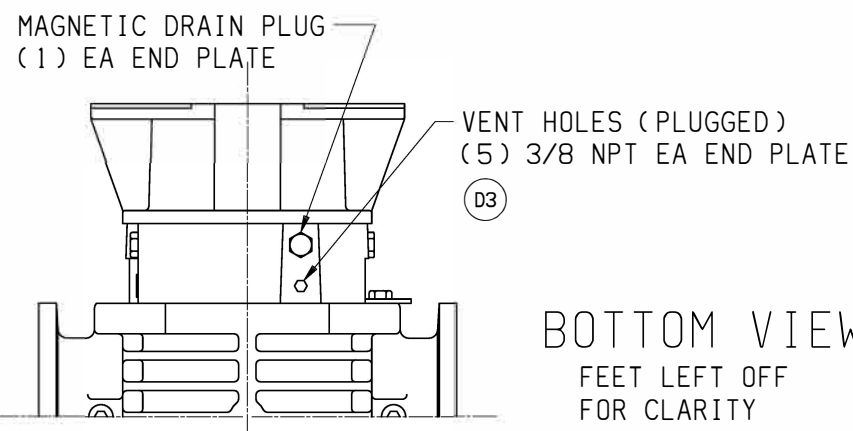
MOTOR ADAPTER									
MTR FRAME SIZE	M-D PART #	K ±.05	L	M	N	P	R APPROX	WEIGHT	
160L & 160M	77129-160	250.10	300	4	45°	203	486	22 Kg	
180L & 180M	77129-180	250.10	300	4	45°	203	576	22 Kg	
200L	77129-200	300.10	350	4	45°	203	611	23 Kg	
225M	77129-225	350.10	400	8	22.5°	203	690	24 Kg	
225S & 225M	77129-225X	350.10	400	8	22.5°	232	690	24 Kg	



NOTE:

1. REFER TO CURRENT MAINTENANCE MANUAL FOR SERVICE INSTRUCTIONS. FIELD CONVERSION OF DRIVE SHAFT LOCATION OR CHANGING TO VERTICAL FLOW.
2. MAXIMUM DISCHARGE TEMPERATURE: 190° C
3. MAXIMUM RPM: 3000
4. ALL DIMENSIONS ARE IN MILLIMETERS

(D1) (D2)



BOTTOM VIEW
FEET LEFT OFF
FOR CLARITY

2200 BOTTOM DRIVE SHOWN

Tuthill 800.825.6937
VACUUM BOOSTER OUTLINE
(METRIC)

SIZE: C2	1800-4500 Horz Mech Seal C-Flg Metric
DR NF 10-30-96	CH A0 10-30-96