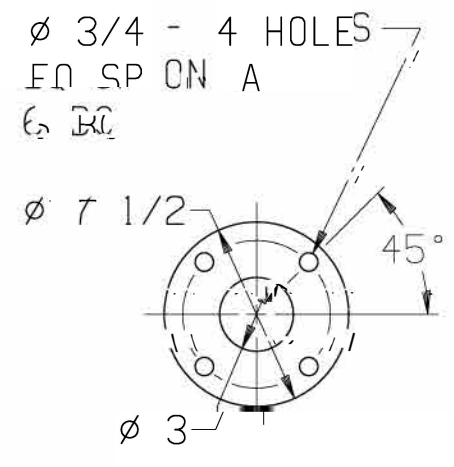
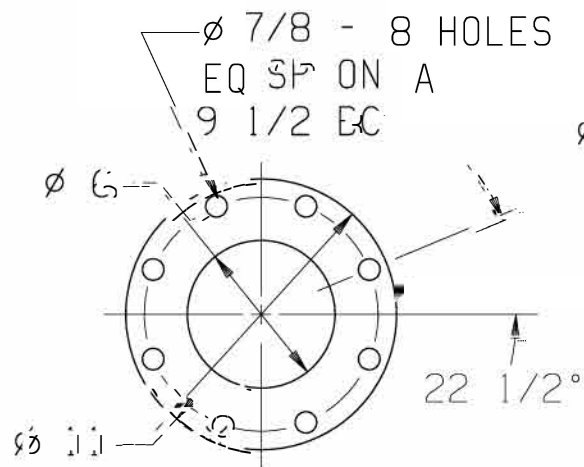


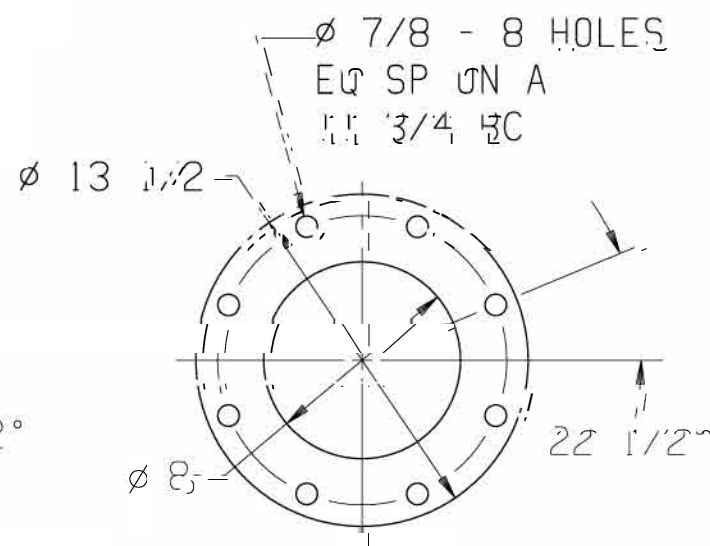
LTR	REVISION	DATE	DR	CH
H	UPDATED DWG; ADDED 92W; REDESIGNED DRIVE SHAFT AREA: SHAFT WAS 1 3/8 DIA (ECN 5524)	7-14-09	CM	BD



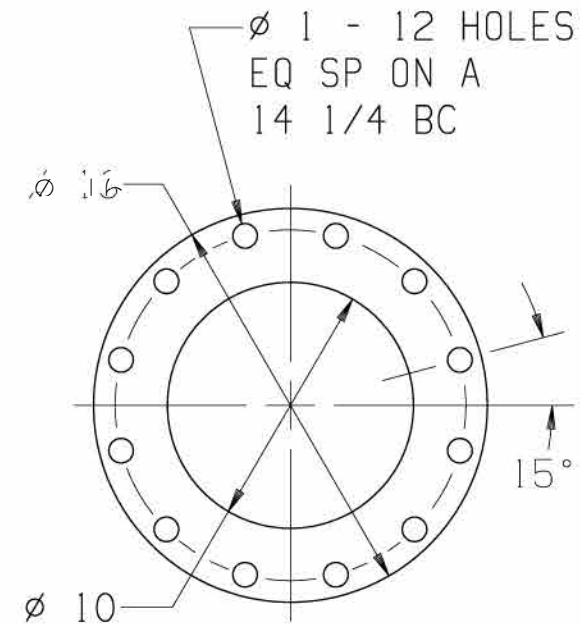
3" FLANGE
125/150 LB
ANSI DRILLING
1/8 SCALE



6" FLANGE
125/150 LB
ANSI DRILLING
1/8 SCALE

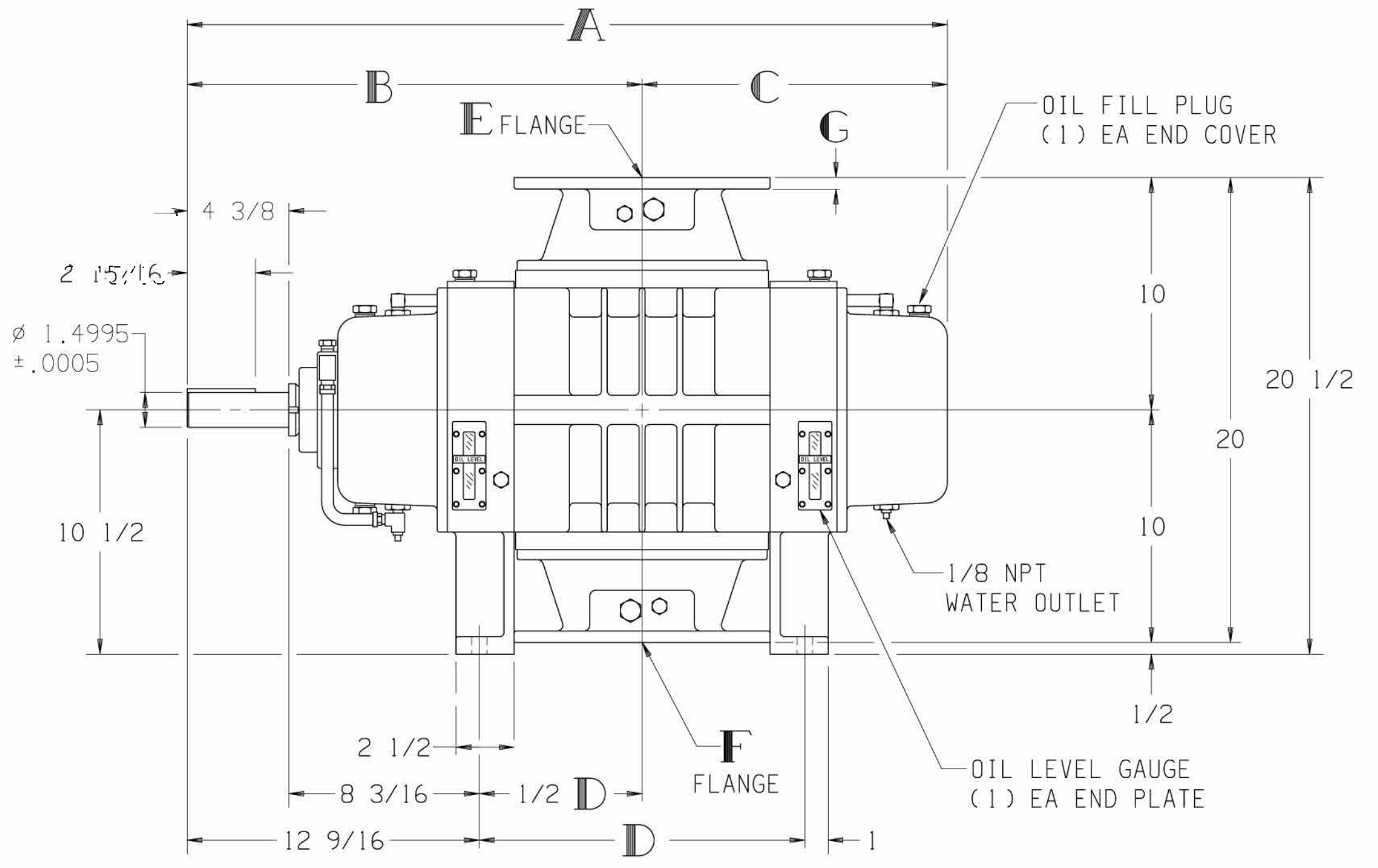
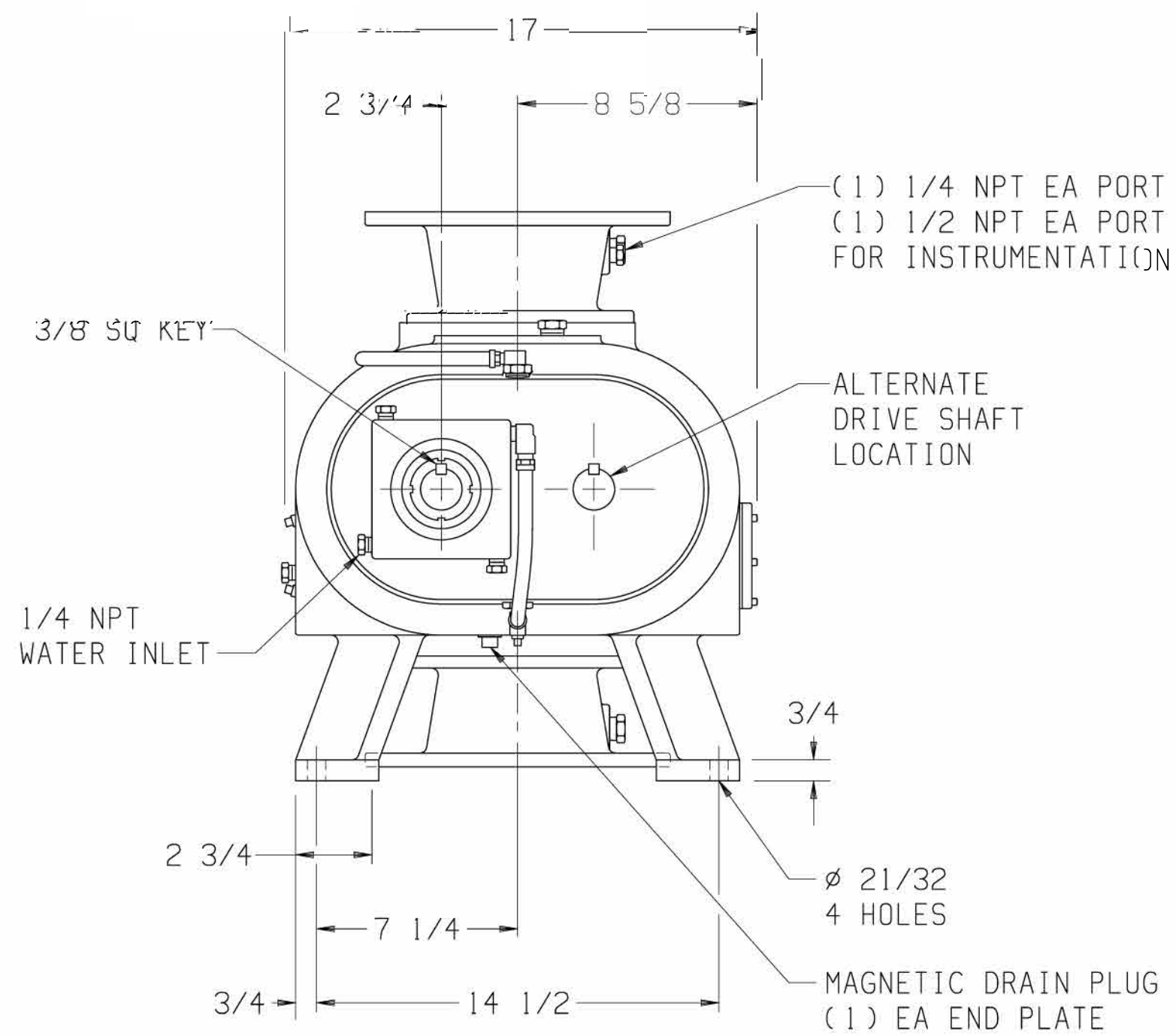


8" FLANGE
125/150 LB
ANSI DRILLING
1/8 SCALE



10" FLANGE
125/150 LB
ANSI DRILLING
1/8 SCALE

MODEL	A	B	C	D	E	F	G
850	29 3/16	17 13/16	11 3/8	10 1/2	6 FLG	3 FLG	1/2
1200	32 11/16	19 9/16	13 1/8	14	6 FLG	6 FLG	1/2
1600	35 11/16	21 1/16	14 5/8	17	6 FLG	6 FLG	9/16
2000	39 11/16	23 1/16	16 5/8	21	8 FLG	8 FLG	9/16
2700	45 11/16	26 1/16	19 5/8	27	10 FLG	10 FLG	1



1200 SHOWN

NOTE:
REFER TO CURRENT MAINTENANCE MANUAL FOR SERVICE INSTRUCTIONS.

Tuthill 800.825.6937
VACUUM BOOSTER OUTLINE
!850-2700 Vertical Flow /
DR CM 7-14-09 CH BD 7-21-09
SIZE: C4 SCALE: 3/16 WT LBS