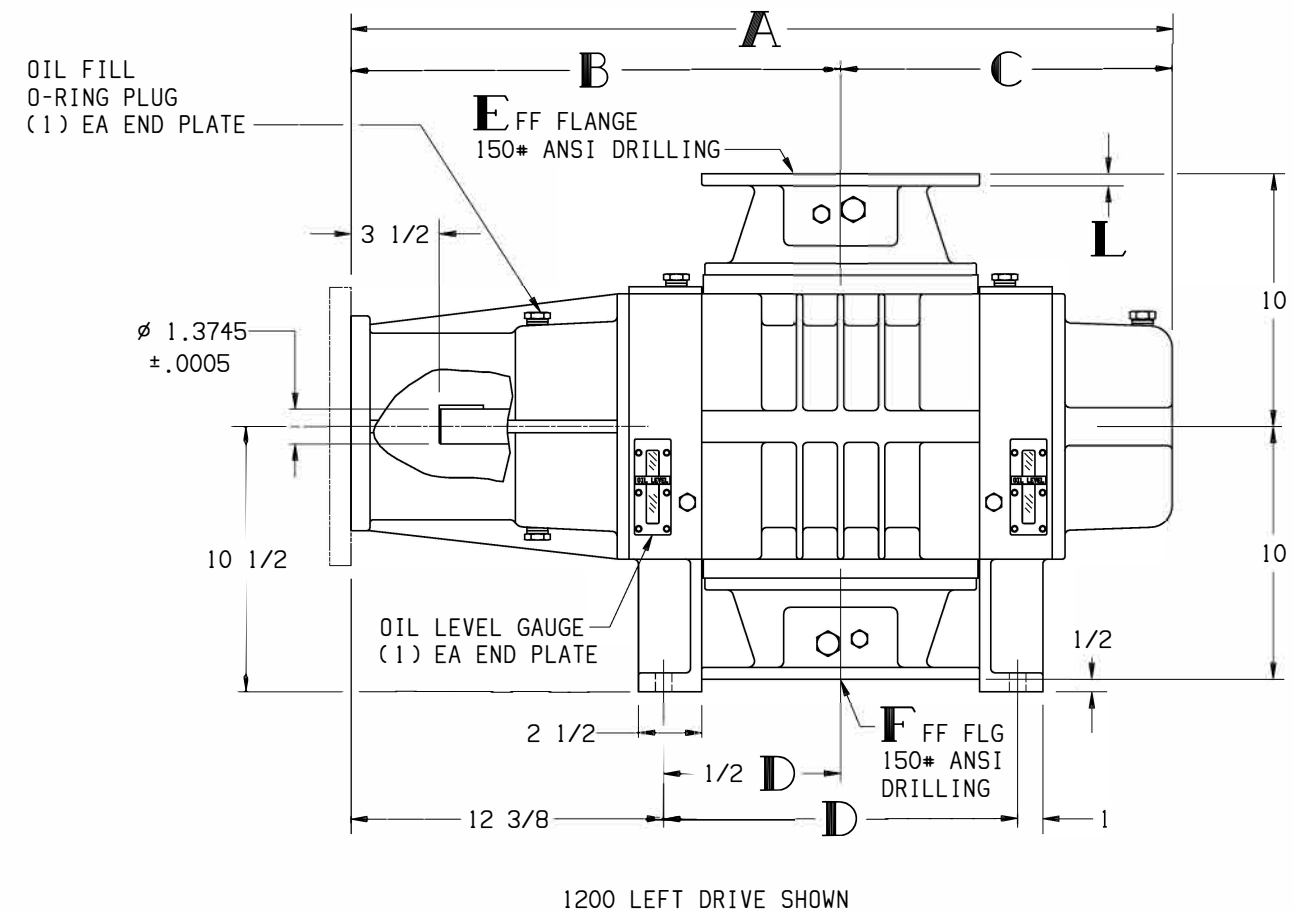
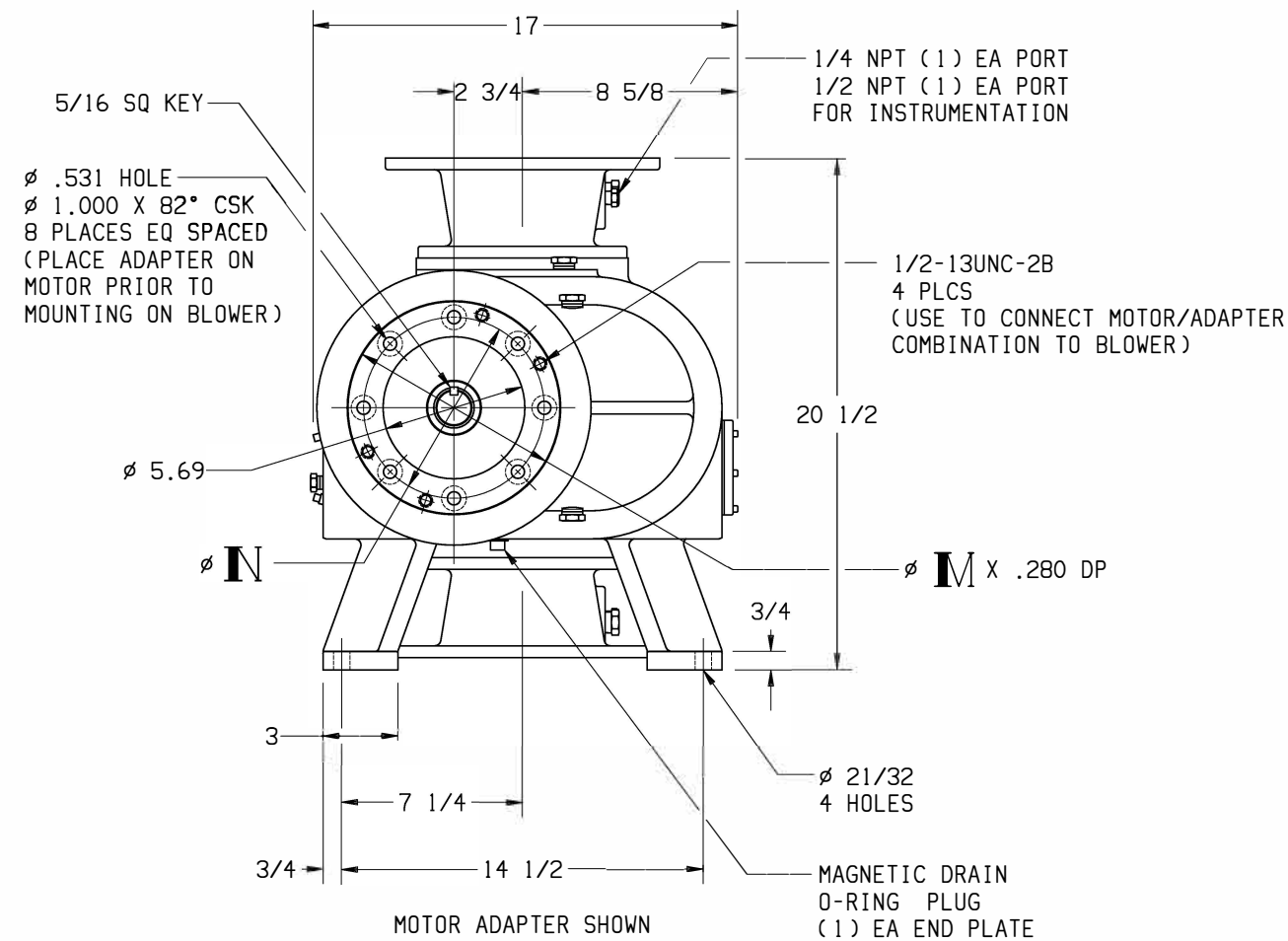
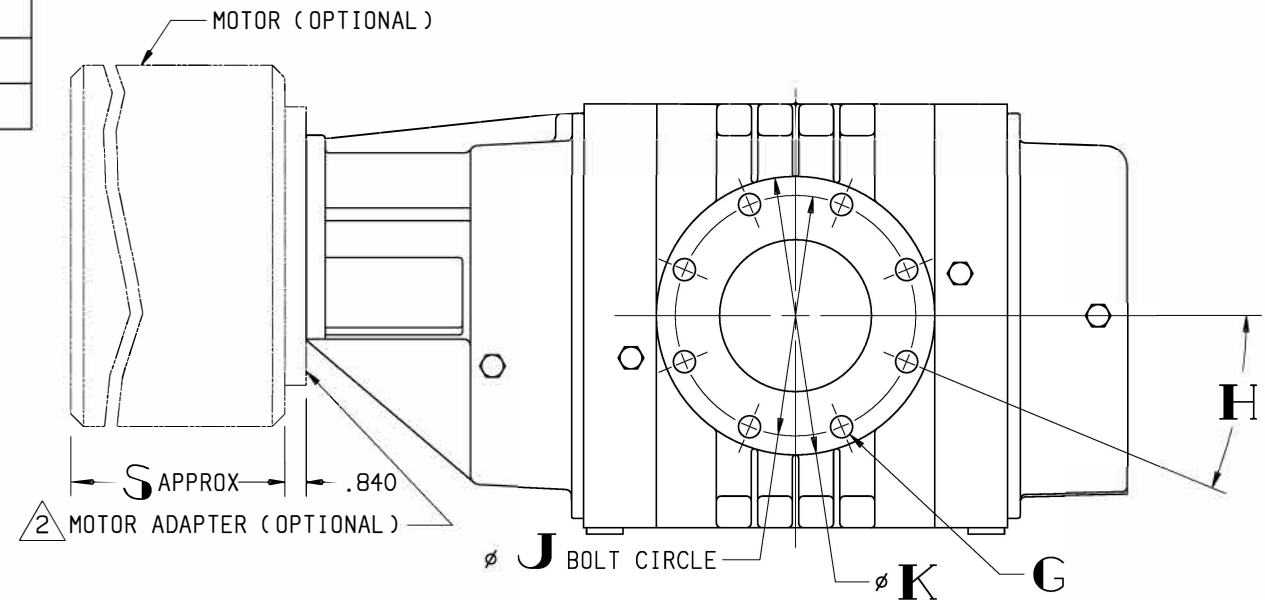


MODEL	A	B	C	D	E	F	G		H	J	K	L	WEIGHT LBS
							φ	NO.					
850	29	17 5/8	11 3/8	10 1/2	6 FLG	-	7/8	8	22 1/2°	9 1/2	11	1/2	365
					-	3 FLG	3/4	4	45°	6	7 1/2	1/2	
1200	32 1/2	19 3/8	13 1/8	14	6 FLG	6 FLG	7/8	8	22 1/2°	9 1/2	11	1/2	450
1600	35 1/2	20 7/8	14 5/8	17	6 FLG	6 FLG	7/8	8	22 1/2°	9 1/2	11	9/16	530
2000	39 1/2	22 7/8	16 5/8	21	8 FLG	8 FLG	7/8	8	22 1/2°	11 3/4	13 1/2	9/16	600
2700	45 1/2	25 7/8	19 5/8	27	10 FLG	10 FLG	1	12	15°	14 1/4	16	1"	725

NEMA MOTOR FRAME SIZE	NEMA MTG KIT PART NO.	NEMA ADAPTER PART NO.	M ±.002	N	ADAPTER WEIGHT	S APPROX
213TC/215TC	55228-210TCCP	55223-230	8.504	7.25	15.50	16
254TC/256TC	55228-250TCCP	55223-230	8.504	7.25	15.50	20
284TSC/286TSC	55228-280TSCP	55223-280	10.504	9.00	15.50	22



NOTES:

- REFER TO CURRENT MAINTENANCE MANUAL FOR SERVICE INSTRUCTIONS
- REFER TO MOUNTING KIT IN TABLE FOR PROPER COUPLING AND MOUNTING HARDWARE

**Tuthill** 800.825.6937

VACUUM BOOSTER OUTLINE

850-2700-Vert Slinger C-Flange

DR BD.4-4-13 CH BD 4-4-13

SIZE: C4 SCALE: 3/16 WT LBS