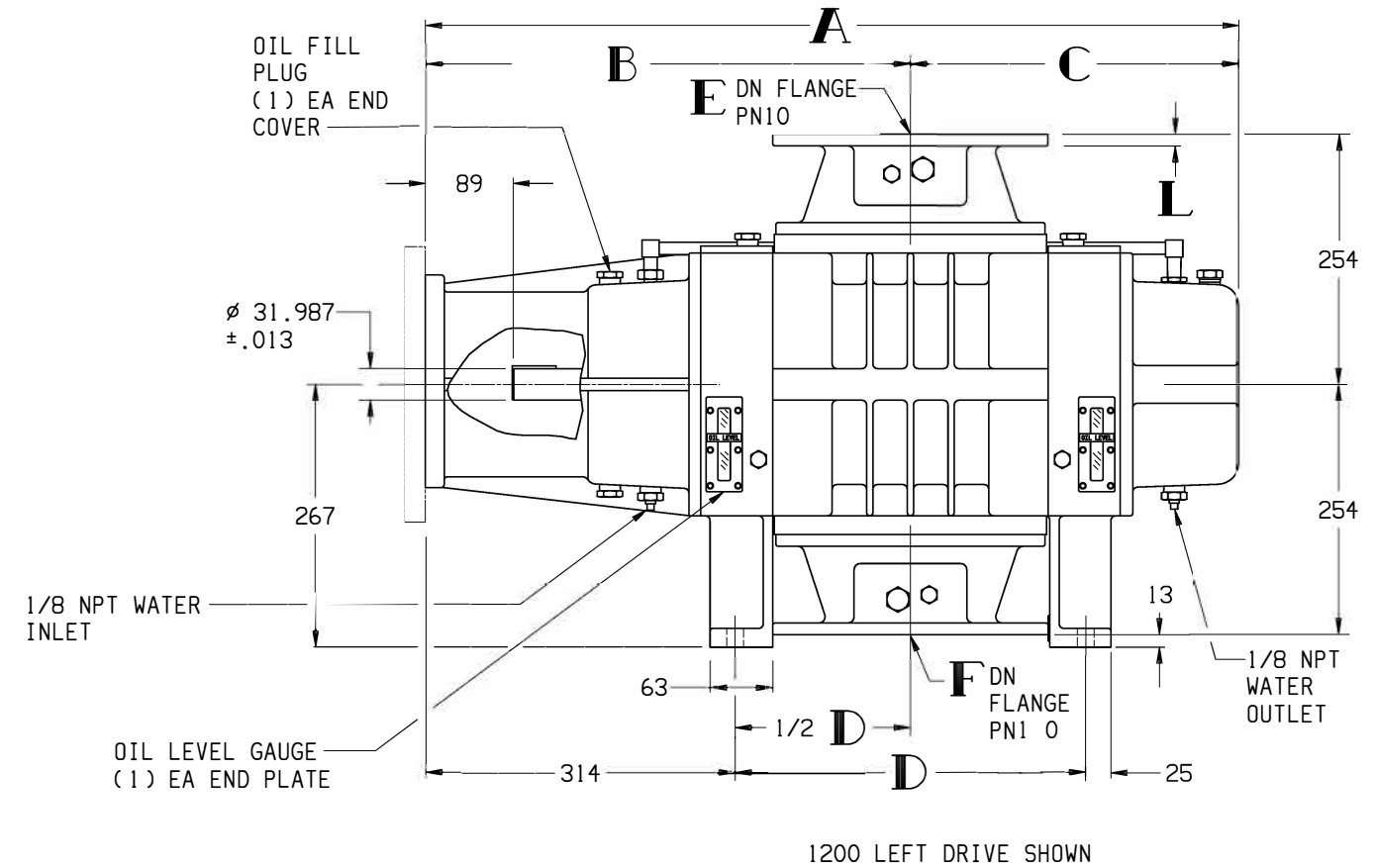
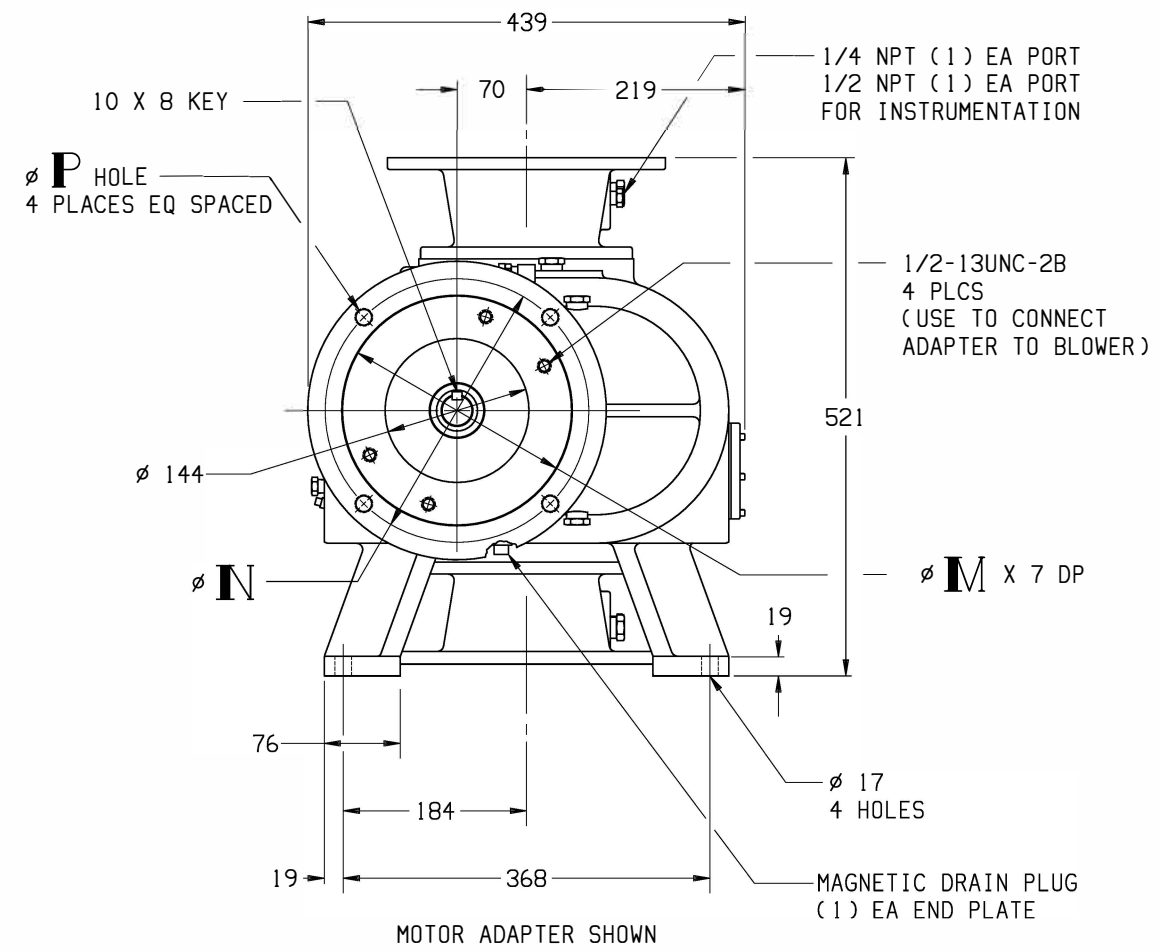
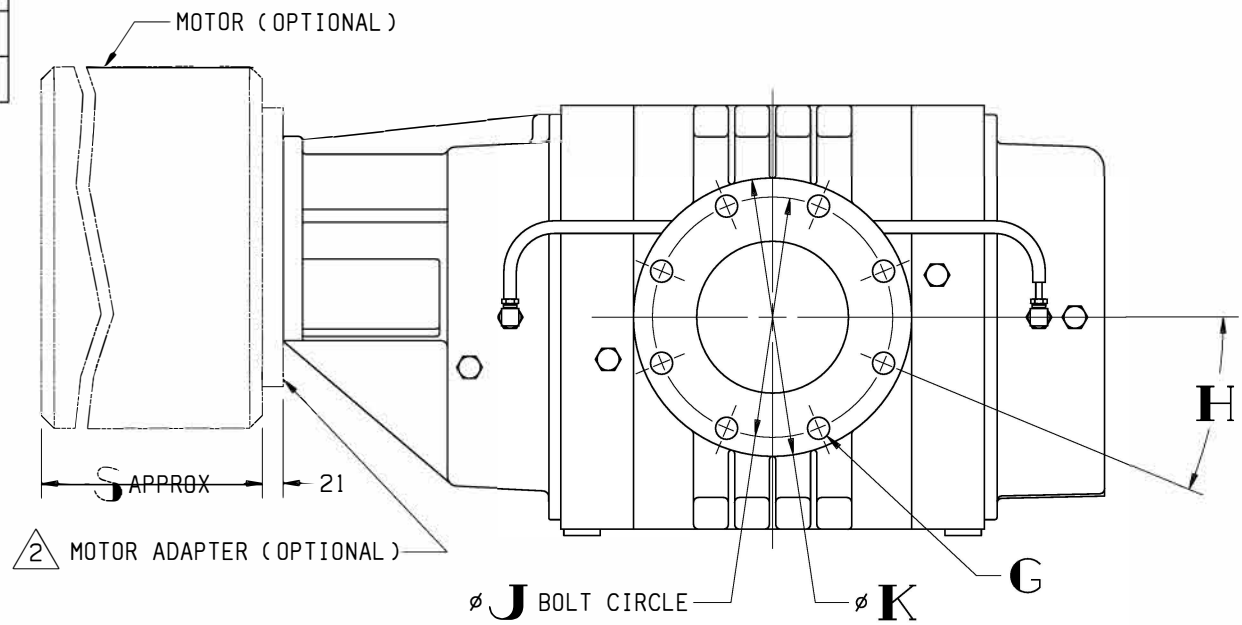


MODEL	A	B	C	D	E	F	G		H	J	K	L	WEIGHT Kg
							∅	NO.					
850	737	448	289	267	-	80 DN	18	8	22 1/2°	160	191	13	166
					150 DN	-	22	8	22 1/2°	240	279	13	
1200	825	492	333	356	150 DN	150 DN	22	8	22 1/2°	240	279	13	204
1600	901	530	371	432	150 DN	150 DN	22	8	22 1/2°	240	279	14	240
2000	1003	581	422	533	200 DN	200 DN	22	8	22 1/2°	295	343	14	272
2700	1155	657	498	686	250 DN	250 DN	22	12	15°	350	406	25	329

IEC MOTOR FRAME SIZE	IEC MTG KIT PART NO.	IEC ADAPTER PART NO.	M ±.05	N	P	ADAPTER WEIGHT	S APPROX
132S	55227-132CP	55224-132	230.10	265	15	9 Kg	380
160L/160M	55227-160CP	55224-170	250.10	300	18	10 Kg	500
180L/180M	55227-180CP	55224-170	250.10	300	18	10 Kg	570



NOTES:

1. REFER TO CURRENT MAINTENANCE MANUAL FOR SERVICE INSTRUCTIONS
2. REFER TO MOUNTING KIT IN TABLE FOR PROPER COUPLING AND MOUNTING HARDWARE.
3. ALL DIMENSIONS ARE IN MILLIMETERS.

Tuthill 800.825.6937
VACUUM BOOSTER OUTLINE
 850-2700 Metric Vert Mech C-Flg
 DR BD.4-9-13 CH BD 4-9-13
 SIZE: C4 SCALE: 3/16 WT LBS