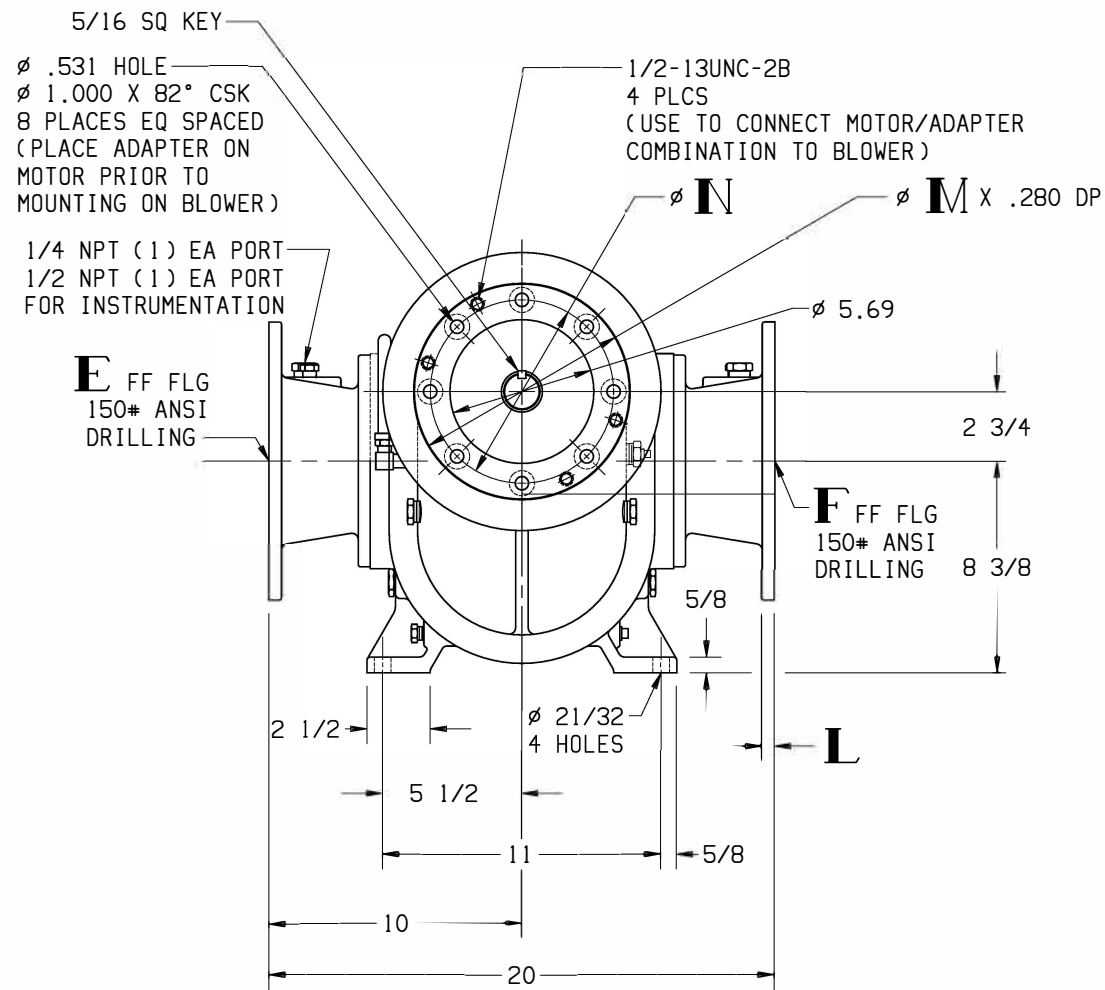
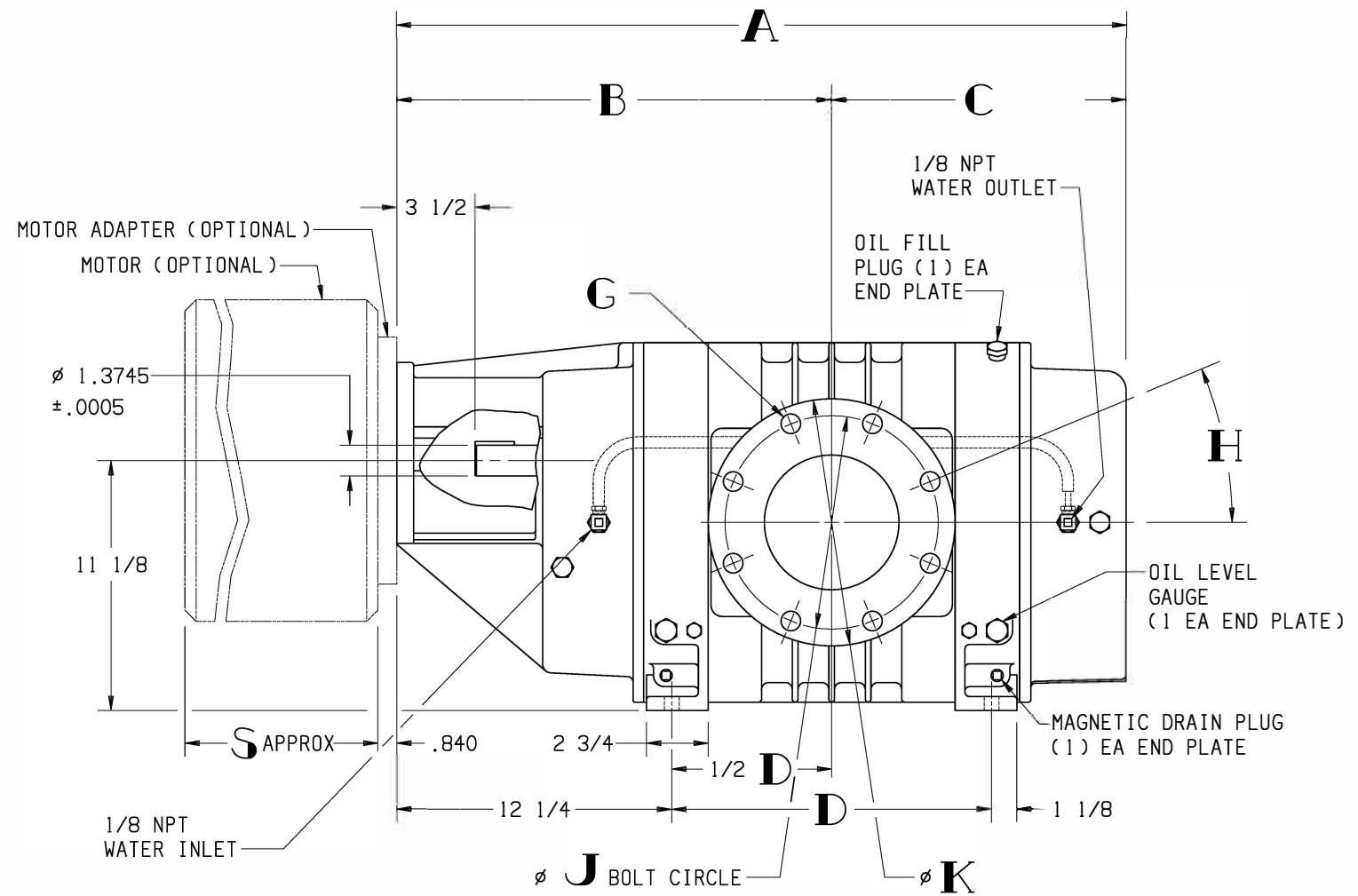


MODEL	A	B	C	D	E	F	G		H	J	K	L	WEIGHT LBS
							∅	NO.					
850	29	17 5/8	11 3/8	10 3/4	6 FLG	6 FLG	7/8	8	22 1/2°	9 1/2	11	1/2	365
1200	32 1/2	19 3/8	13 1/8	14 1/4	6 FLG	6 FLG	7/8	8	22 1/2°	9 1/2	11	1/2	450
1600	35 1/2	20 7/8	14 5/8	17 1/4	6 FLG	6 FLG	7/8	8	22 1/2°	9 1/2	11	9/16	530
2000	39 1/2	22 7/8	16 5/8	21 1/4	8 FLG	8 FLG	7/8	8	22 1/2°	11 3/4	13 1/2	9/16	600
2700	45 1/2	25 7/8	19 5/8	27 1/4	10 FLG	10 FLG	1	12	15°	14 1/4	16	19/32	725

MOTOR ADAPTER PLATE INFORMATION					
MOTOR FRAME SIZE	M-D PART NUMBER	M ± .002	N	ADAPTER WEIGHT	S APPROX
213TC/215TC	55223-230	8.504	7.25	15.50	16
254TC/256TC					20
284TSC/286TSC	55223-280	10.504	9.00		22



MOTOR ADAPTER SHOWN



1200 SHOWN

MOUNTING KIT TABLE	
MOTOR FRAME	KIT NO.
213TC/215TC	55228-210TCCP
254TC/256TC	55228-250TCCP
284TSC/286TSC	55228-280TSCCP

- NOTES:
- REFER TO BASIC PART NUMBER (55228) FOR ADAPTER KIT INFORMATION.
  - REFER TO CURRENT MAINTENANCE MANUAL FOR SERVICE INSTRUCTIONS.

**Tuthill** 800.825.6937

VACUUM BOOSTER OUTLINE

850-2700-Hrz Mech Seal C-Flg

DR BD. 4-2-13 CH BD 4-2-13

SIZE: C4 SCALE: 1/4 WT LBS