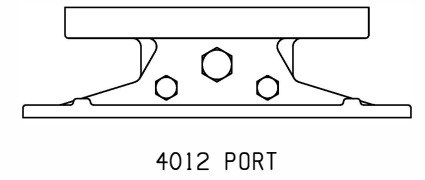
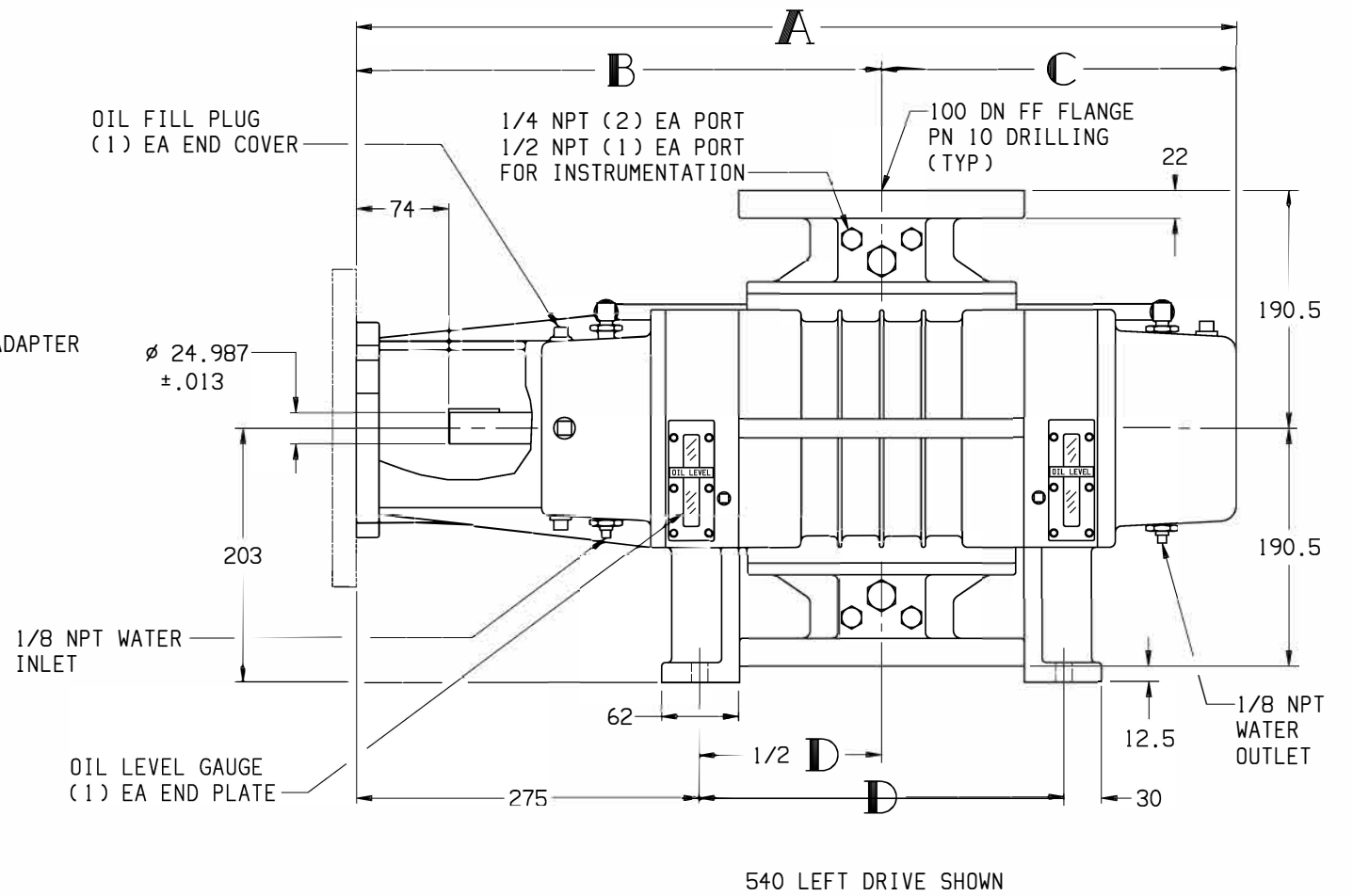
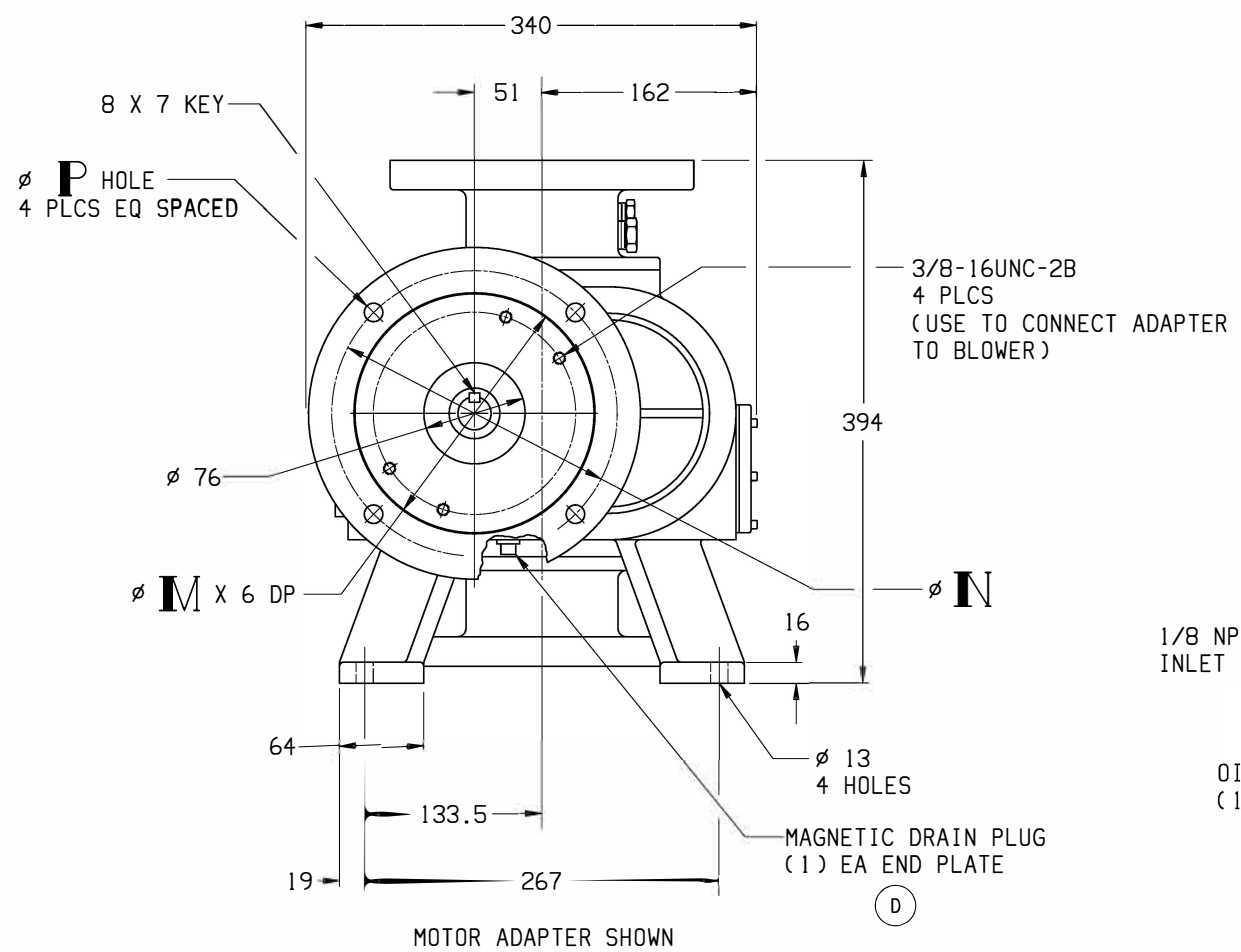
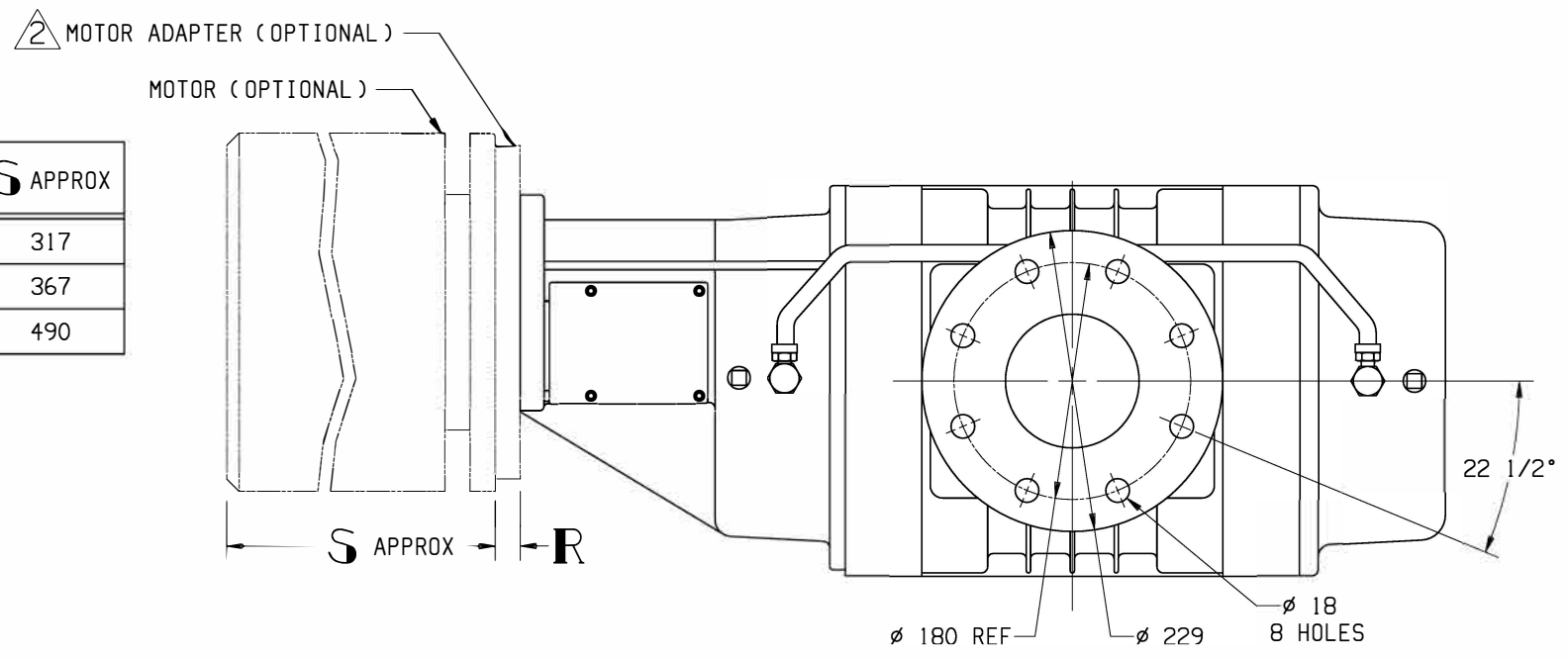


MODEL	A	B	C	D	WEIGHT Kg
540	705	421	284	292	91
720	781	459	322	368	104

IEC MOTOR FRAME SIZE	IEC MTG KIT PART NO.	IEC ADAPTER PART NO.	ADAPTER WEIGHT	M ± .05	N	P	R	S APPROX
112M	40110-112CP	40107-112	4	180.10	215	15	.50	317
132S	40110-132CP	40107-132	9	230.10	265	15	.75	367
160L & M	40110-160CP	40107-160	31	250.10	300	17	1.75	490



NOTES:
 1. REFER TO CURRENT MAINTENANCE MANUAL FOR SERVICE INSTRUCTIONS
 2. REFER TO MOUNTING KIT IN TABLE FOR PROPER COUPLING AND MOUNTING HARDWARE.
 3. ALL DIMENSIONS ARE IN MILLIMETERS.

Tuthill 800.825.6937
 VACUUM BOOSTER OUTLINE
 540-720 MechSeal C-flg Metric
 DR BD.4-9-13 CH BD 4-9-13
 SIZE: C4 SCALE: 1/4 WT LBS