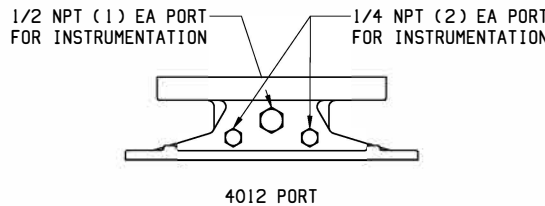
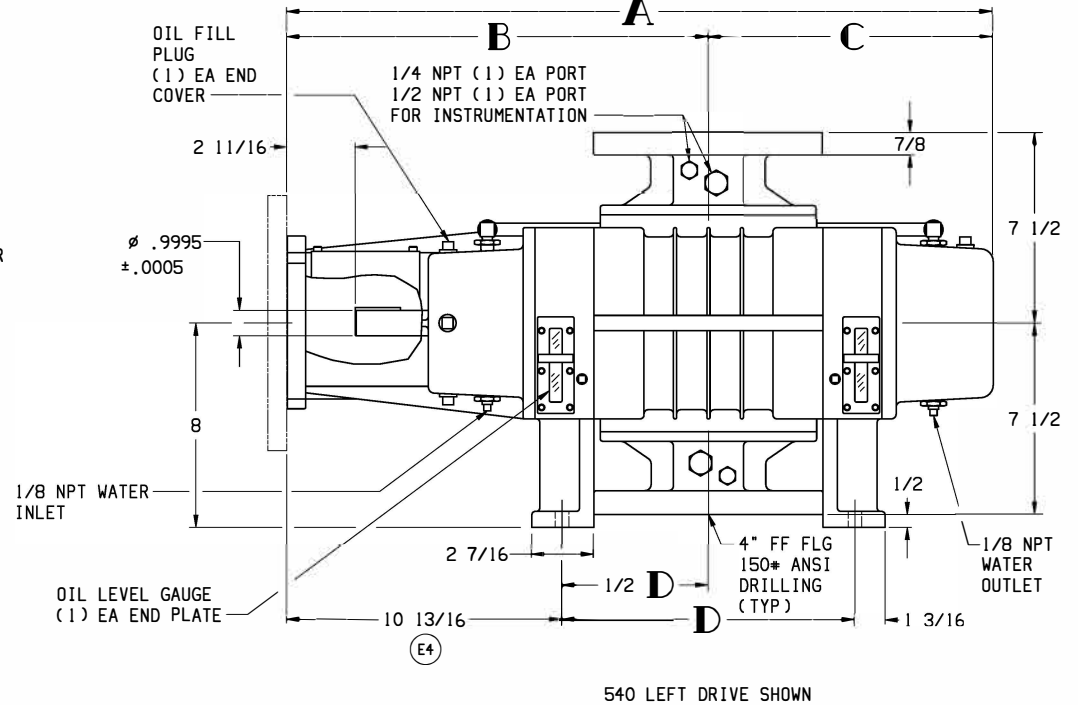
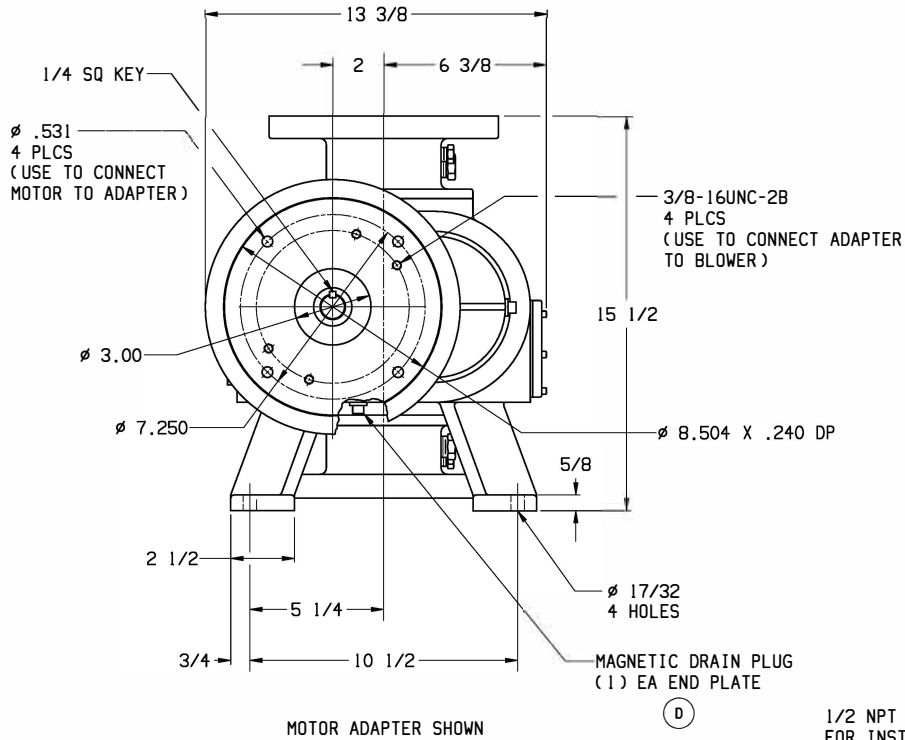
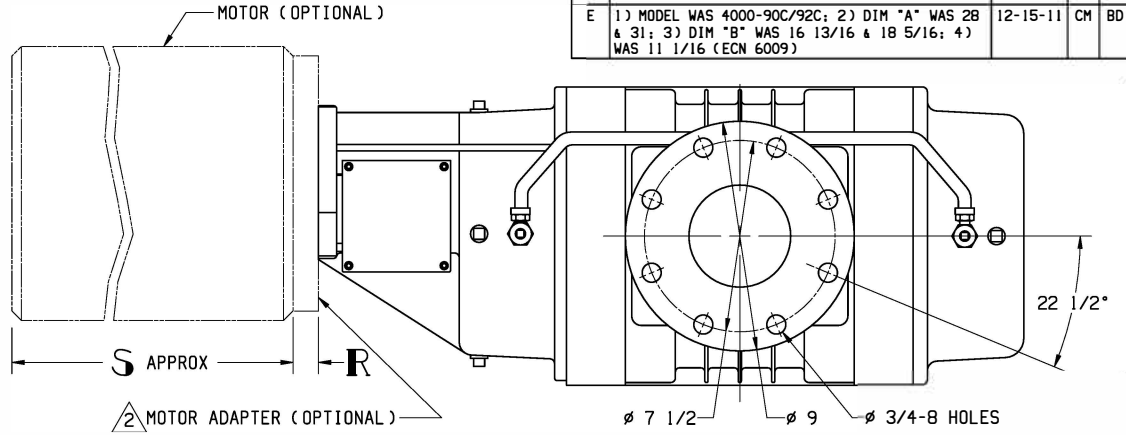


MODEL	A	B	C	D	WEIGHT LBS
540	27 3/4	16 9/16	11 3/16	11 1/2	200
720	30 3/4	18 1/16	12 11/16	14 1/2	230

NEMA MOTOR FRAME SIZE	NEMA MTG KIT PART NO.	NEMA ADAPTER PART NO.	ADAPTER WEIGHT LBS	R	S APPROX
184TC	40111-180TCCP	40108-200	13	.75	13
213TC/215TC	40111-210TCCP	40108-210 (F1)	15 (F2)	.87 (F3)	16
254TC/256TC	40111-250TCCP	40108-250	27	1.50	21

LTR	REVISION	DATE	DR	CK	LTR	REVISION	DATE	DR	CH
F	1) WAS 40108-200; 2) WAS 13 LBS; 3) WAS .75 (ECN 6033)	1-19-12	BD	CRJ	A	EXTENDED SHAFT & COVER 1/4"; DISTANCE FROM END OF SHAFT TO END OF COVER WAS 3" - NOW 2 11/16 (ECN 3127)	2-4-98	BD	AD
					B	ADD MOUNTING KIT TABLE (ECN 3284)	10-1-98	NF	CWM
					C	REVISED PER CTG CHANGES (ECN 4285)	3-9-04	SM	CJ
					D	RELOCATED PLUG (ECN 4439)	4-8-05	CM	CM
					E	1) MODEL WAS 4000-90C/92C; 2) DIM "A" WAS 28 & 31; 3) DIM "B" WAS 16 13/16 & 18 5/16; 4) WAS 11 1/16 (ECN 6009)	12-15-11	CM	BD



NOTES:  
1. REFER TO CURRENT MAINTENANCE MANUAL FOR SERVICE INSTRUCTIONS  
2. REFER TO MOUNTING KIT IN TABLE FOR PROPER COUPLING AND MOUNTING HARDWARE

**Tuthill** 800.825.6937  
VACUUM BOOSTER OUTLINE  
540-720-Mech Seal C-Flg  
DR NF 5-17-97 CH AD 5-22-97  
SIZE: C4 SCALE: 1/4 WT LBS