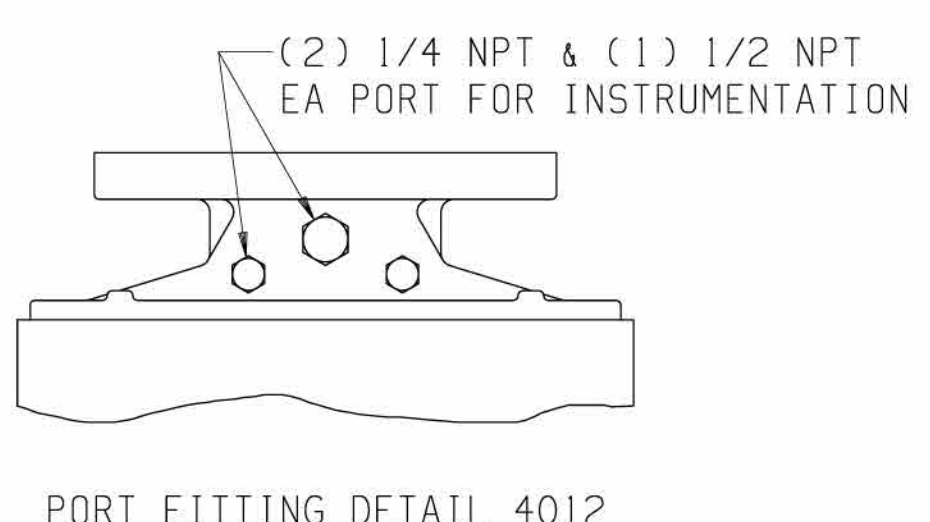
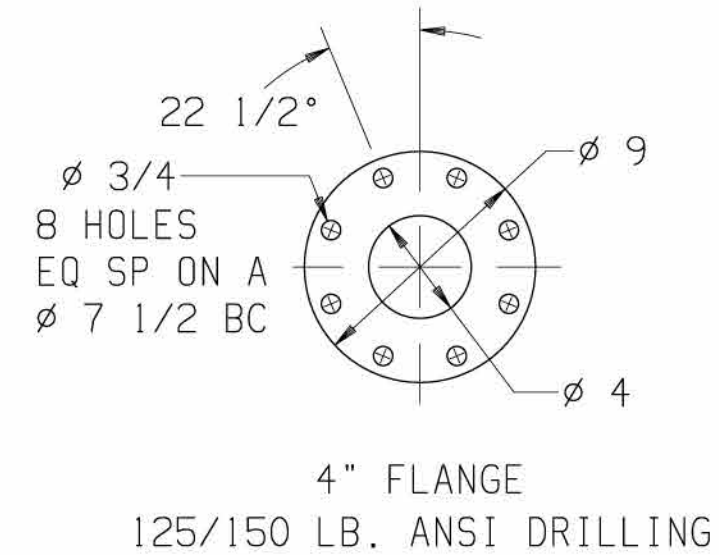
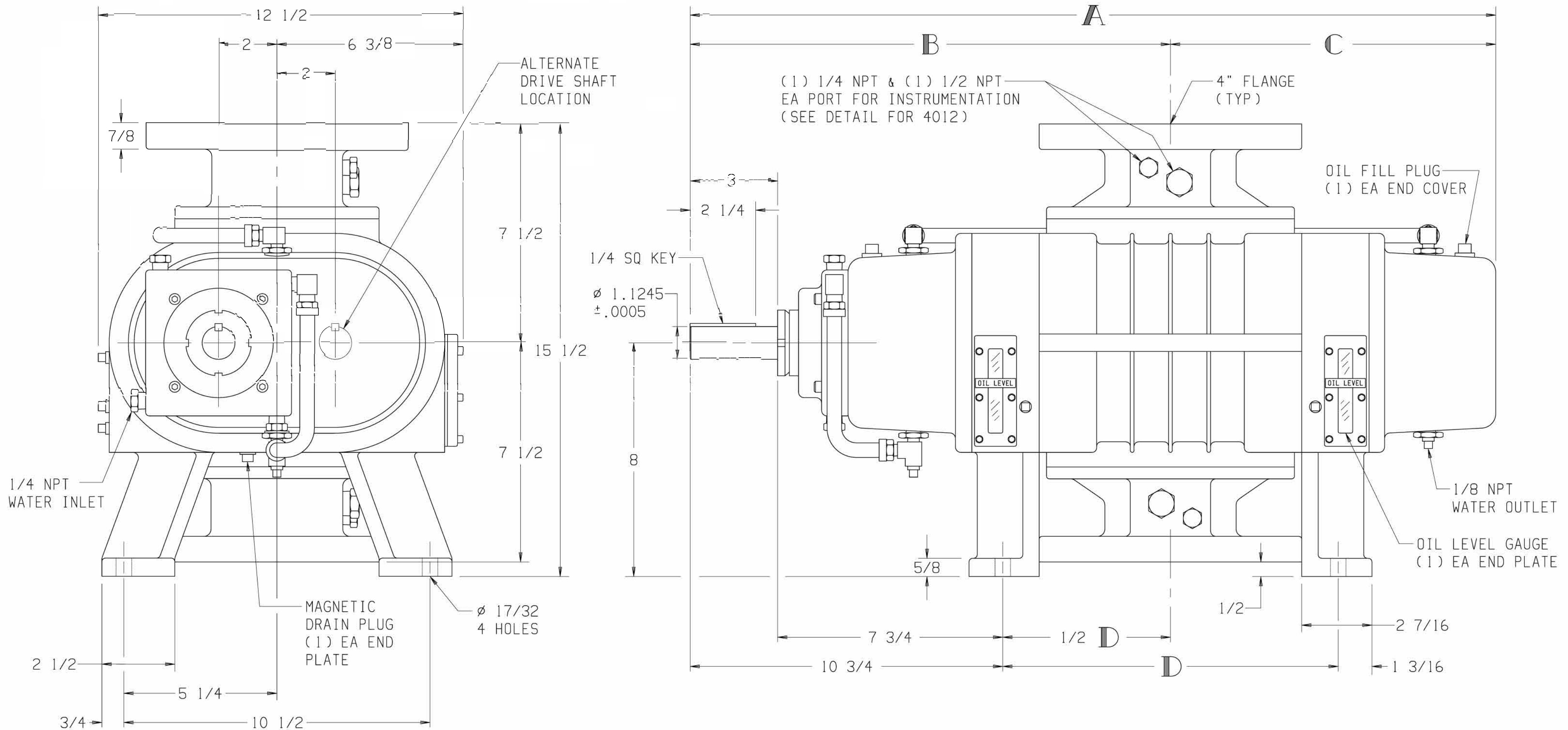


MODEL	A	B	C	D	WT
540	27 11/16	16 1/2	11 3/16	11 1/2	220
720	30 11/16	18	12 11/16	14 1/2	245

LTR	REVISION	DATE	DR	CH
C	UPDATED DWG; MODEL WAS 4000-90/92 (ECN 5587)	2-26-10	CM	BD



540 SHOWN

REFER TO CURRENT MAINTENANCE MANUAL FOR SERVICE INSTRUCTIONS

**Tuthill** 800.825.6937  
 VACUUM BOOSTER OUTLINE  
 540-720 Mech Seal Vert Flow

DR CM.2-26-10 CH BD 3-4-10  
 SIZE: C4 SCALE: 3/8 WT LBS