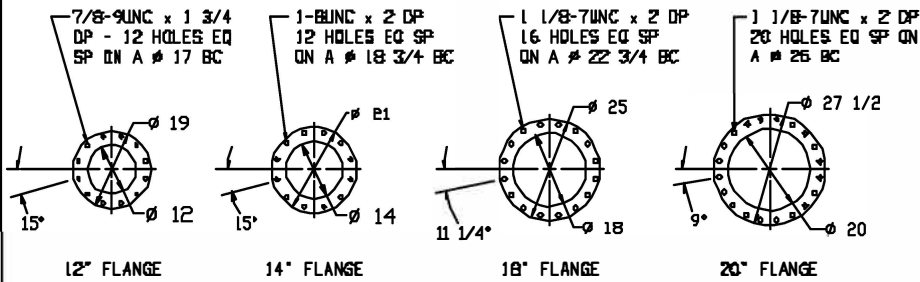
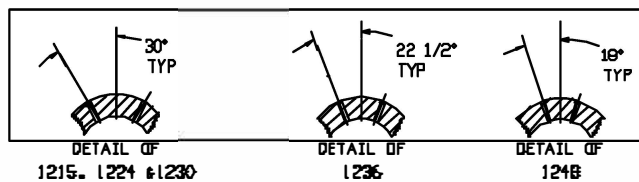
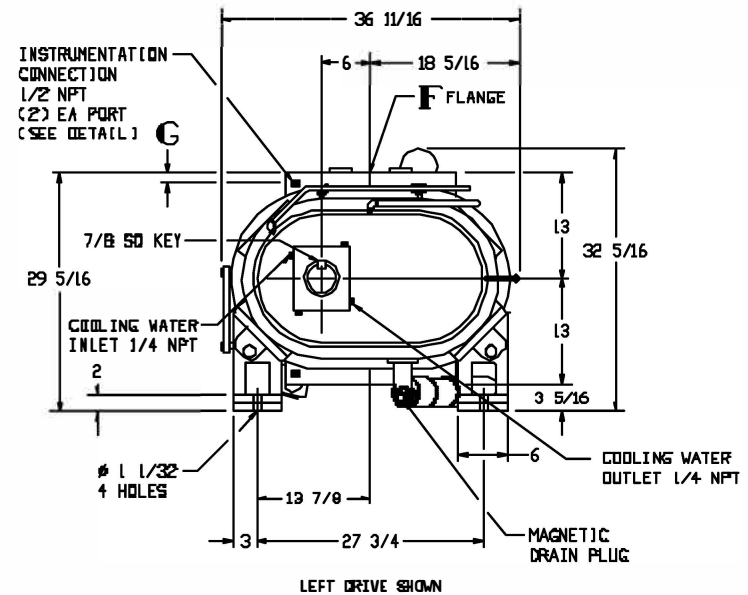
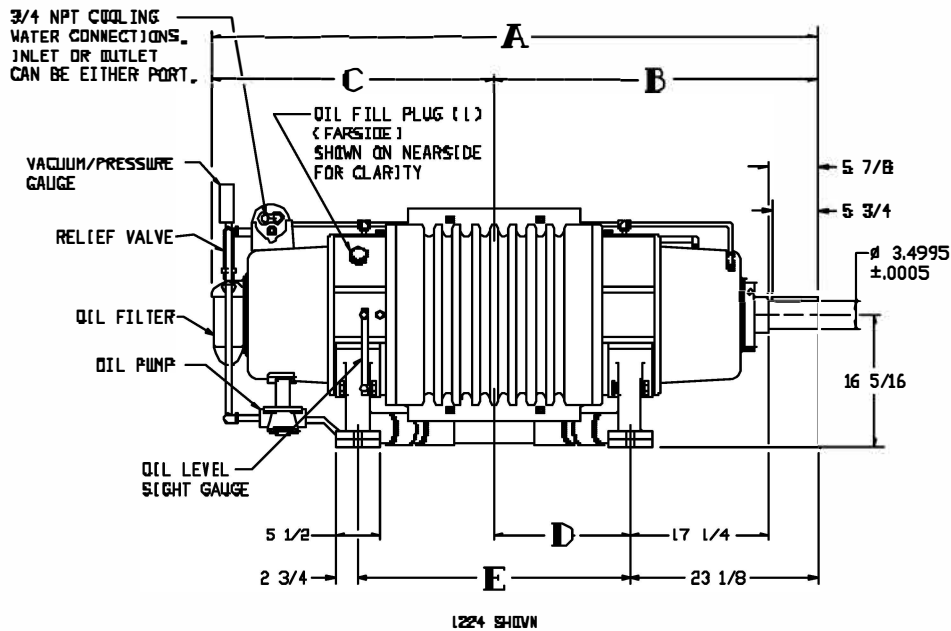


LTR	REVISION	DATE	DR	CH
D	REDRAWN PER LATEST STD'S (EGRN 1648)	5-31-91	JS	LB



NOTE: ALL FLANGES 125/150 LB ANSI DRILLING

MODEL	A	B	C	D	E	F	G
4000	65 3/4	35 3/8	30 3/8	12 1/4	24 1/2	12	1 1/8
5500	74 3/4	39 7/8	34 7/8	16 3/4	33 1/2	14	1 1/4
7900	80 3/4	42 7/8	37 7/8	19 3/4	39 1/2	14	1 1/4
8000	86 3/4	45 7/8	40 7/8	22 3/4	45 1/2	18	2
1000	93 3/4	51 7/8	46 7/8	26 3/4	57 1/2	20	2



REFER TO CURRENT MAINTENANCE MANUAL FOR SERVICE INSTRUCTIONS.

Tuthill 800.825.6937

VACUUM BOOSTER OUTLINE

SIZE
C2 4000-1000 Vertical Flow

DR JS 5-31-91 CH LB 3-31-92