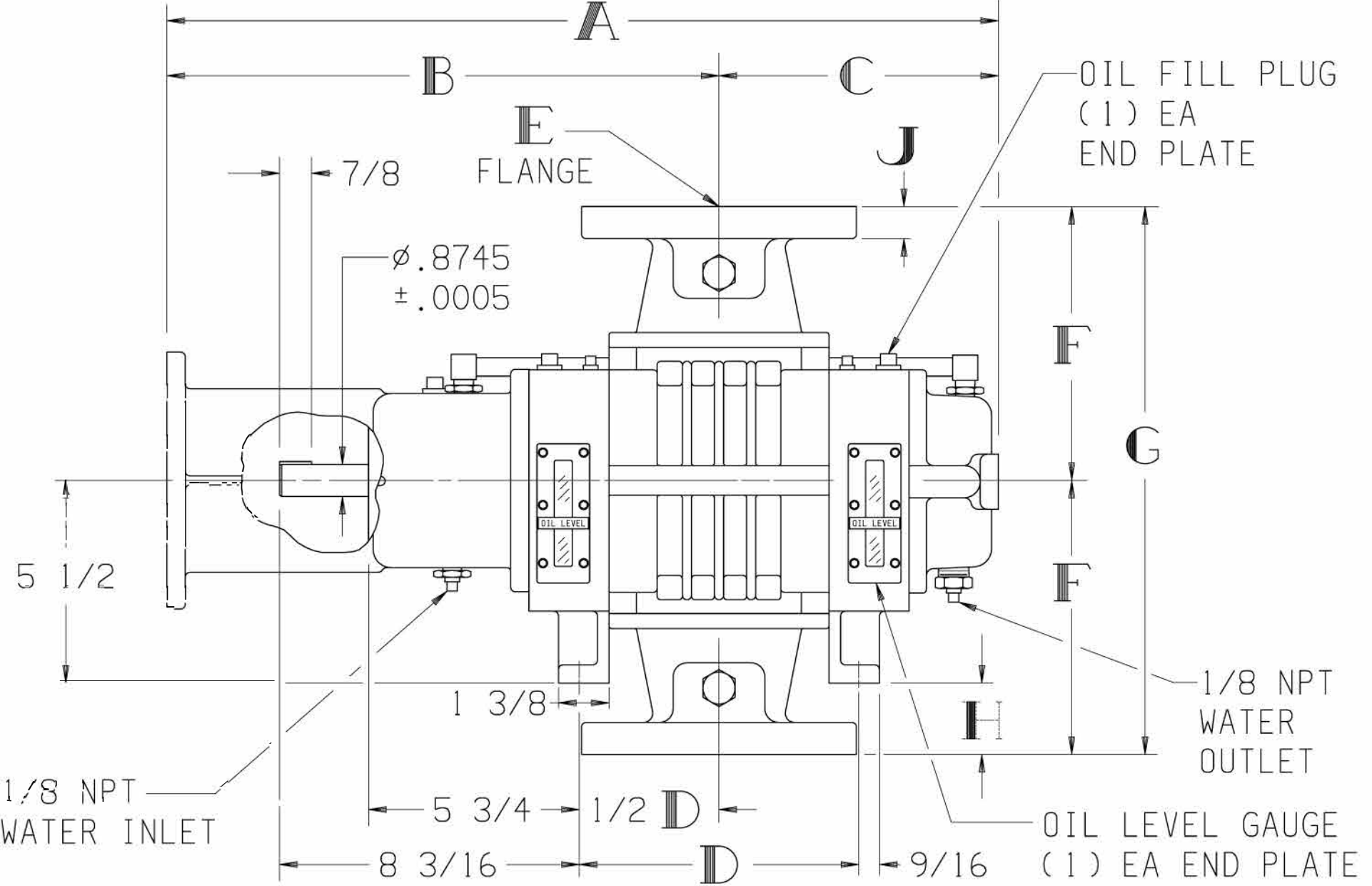
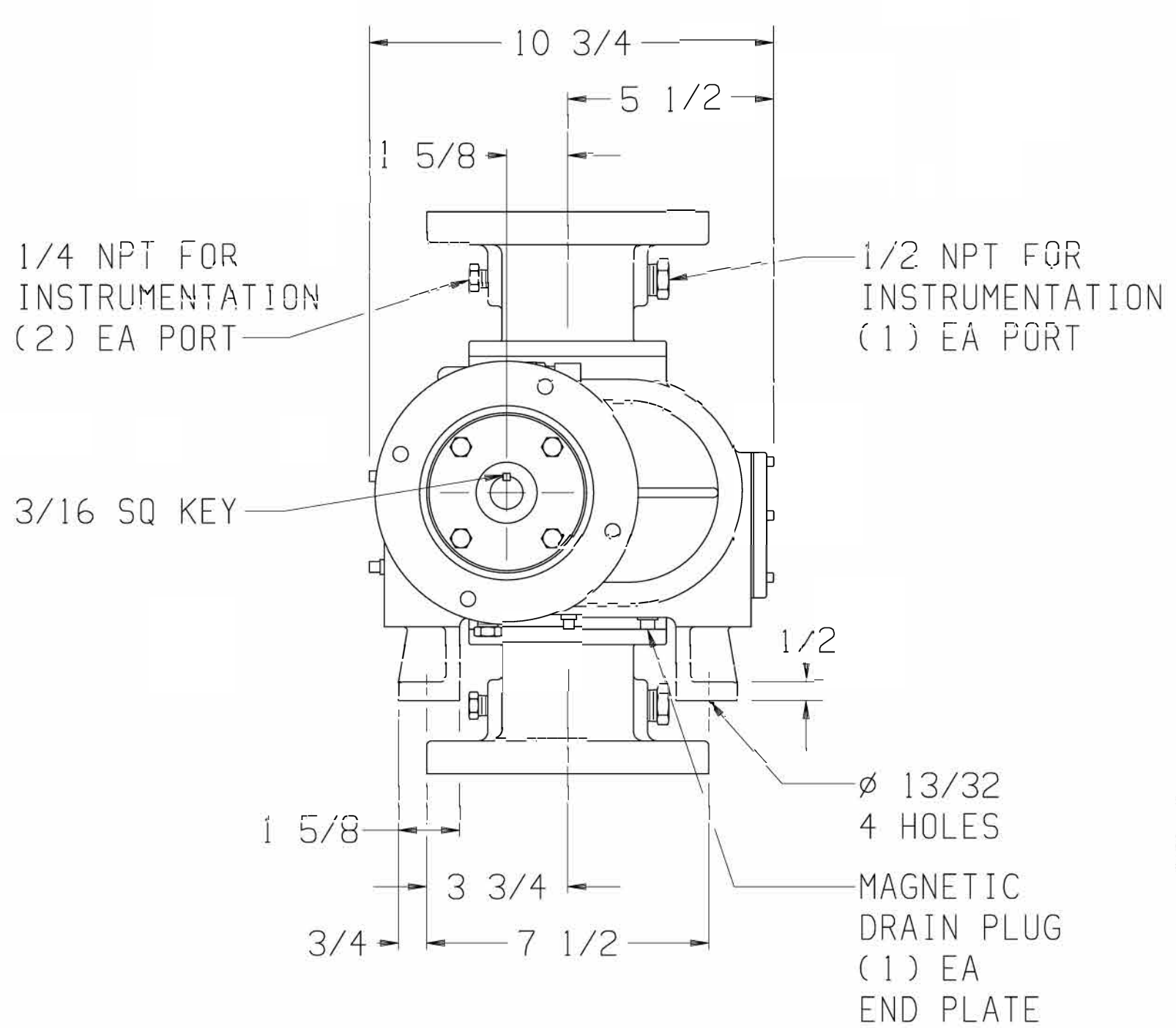
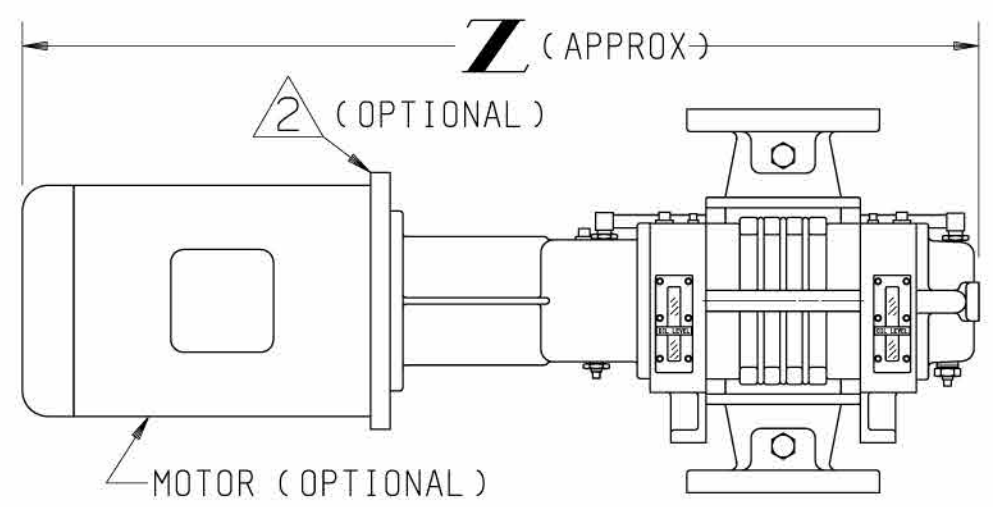
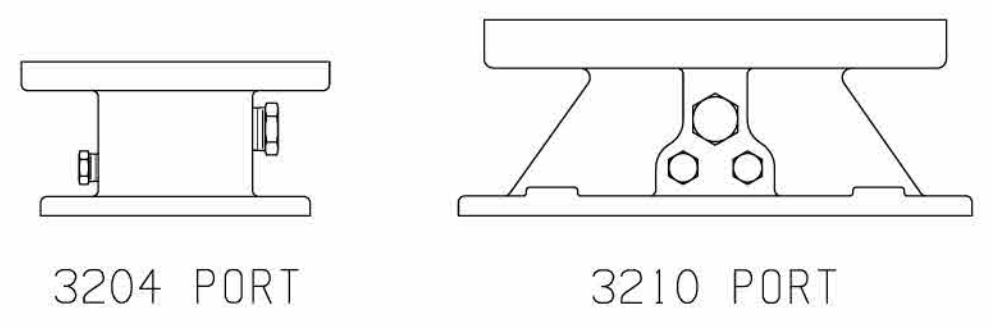


MODEL	A	B	C	D	E	F	G	H	J
150	20 11/16	14 1/16	6 5/8	5 5/8	2	6 5/8	13 1/4	1 1/8	9/16
240	22 11/16	15 1/16	7 5/8	7 5/8	3	7 7/16	14 7/8	1 15/16	7/8
400	26 11/16	17 1/16	9 5/8	11 5/8	4	7 7/16	14 7/8	1 15/16	15/16

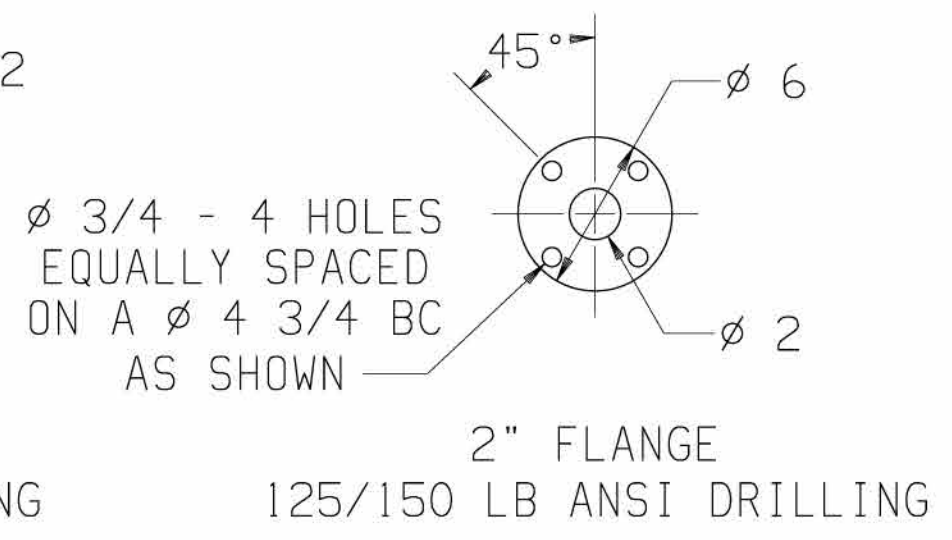
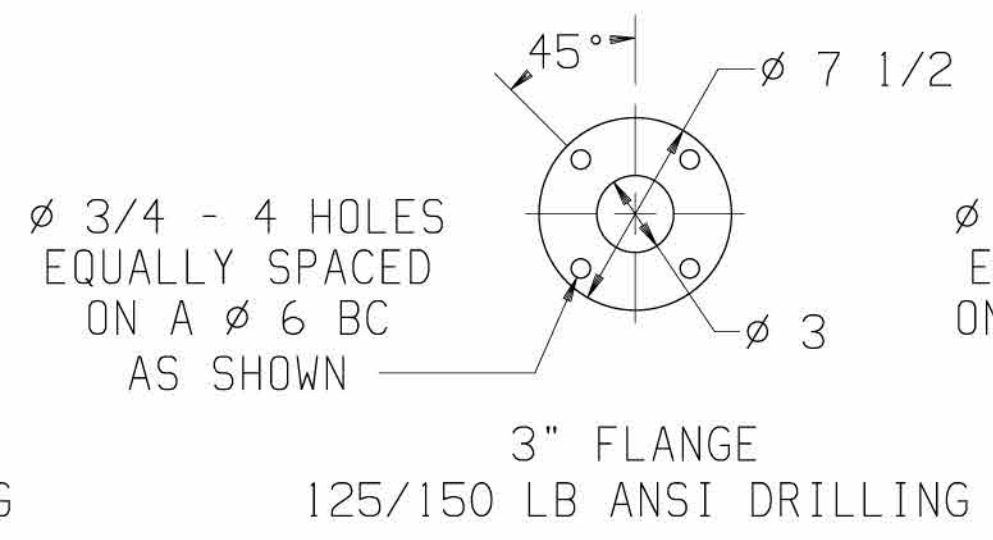
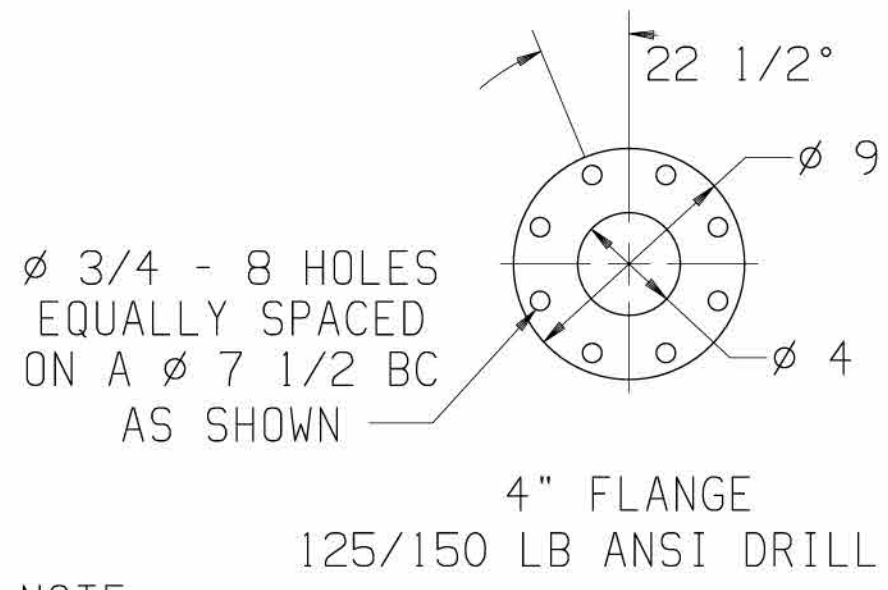
LTR	REVISION	DATE	DR	CH
A	EXTENDED SHAFT & COVER 1/4" (ECN 3145)	2-2-98	BD	AO
B	REV "A" UNDONE (ECN 5847)	8-22-11	CM	CM



3206 LEFT DRIVE SHOWN



NEMA MOTOR FRAME	NEMA MTG KIT PART NO.	Z APPROX		
		150	240	400
145TC	32172-140TCCP	32 5/8	34 5/8	38 5/8
182TC	32172-180TCCP	36 11/16	38 11/16	42 11/16
184TC	32172-180TCCP	37 11/16	39 11/16	43 11/16
213TC	32172-210TCCP	40 1/16	42 1/16	46 1/16
215TC	32172-210TCCP	40 9/16	42 9/16	46 9/16



NOTE:
DIMENSIONS BASED ON TEFC MOTORS.
ODP MOTORS WILL BE SHORTER.

NOTE:
1. REFER TO CURRENT MAINTENANCE MANUAL FOR SERVICE INSTRUCTIONS
2. REFER TO MOUNTING KIT IN TABLE FOR PROPER COUPLING AND MOUNTING HARDWARE.

Tuthill 800.825.6937
 VACUUM BOOSTER OUTLINE
 150-400 Mech Seal Vert C-Flange

DR BD_4-18-97 CH MS 7-9-97
 SIZE: C4 SCALE: 1/4 WT LBS