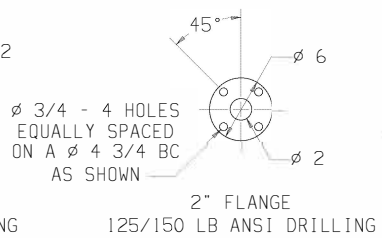
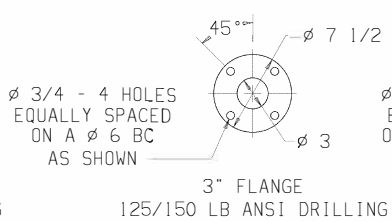
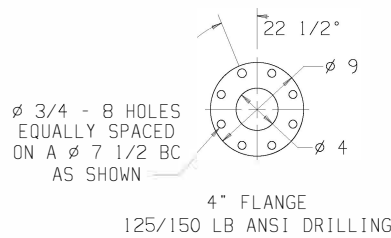
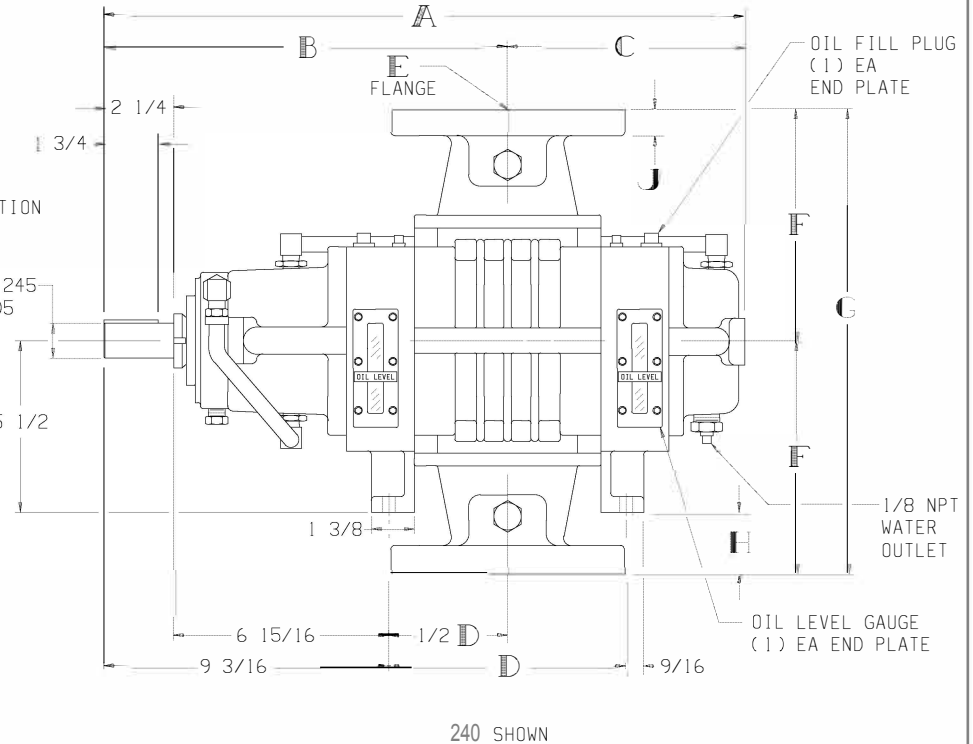
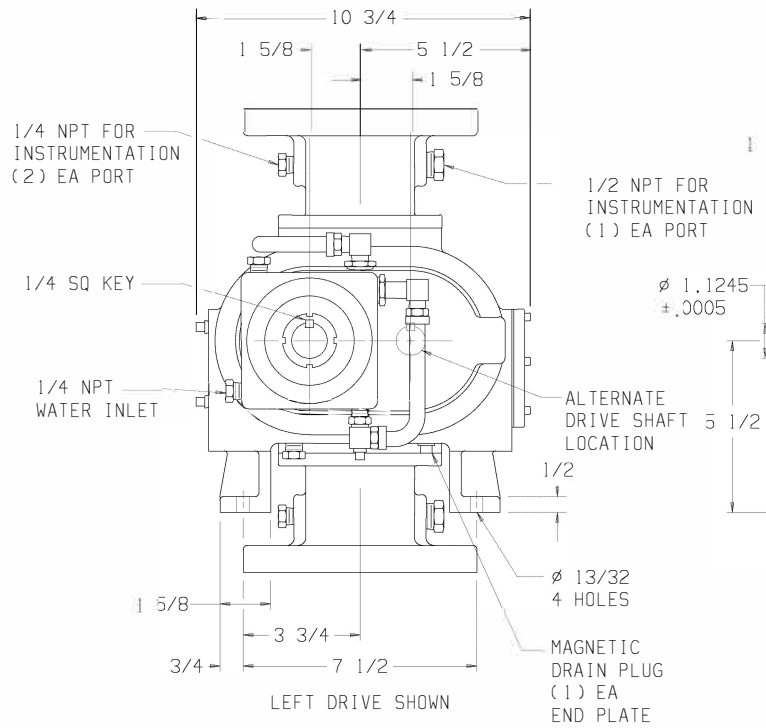


MODEL	A	B	C	D	E	F	G	H	J
150	18 5/8	12	6 5/8	5 5/8	2	6 5/8	13 1/4	1 1/8	9/16
240	20 5/8	13	7 5/8	7 5/8	3	7 7/16	14 7/8	1 15/16	7/8
400	24 5/8	15	9 5/8	11 5/8	4	7 7/16	14 7/8	1 15/16	15/16

LTR	REVISION	DATE	DR	CH
D	REDRAWN PER LATEST STD'S (ECN 1643)	3-20-91	JS	LB
E	ADDED 3204 TO TABLE (ECN 2253)	2-15-94	BD	LB
F	UPDATED TAB DIM LETTERS (ECN 2990)	4-15-97	SM	CM



REFER TO CURRENT MAINTENANCE MANUAL FOR SERVICE INSTRUCTIONS

Tuthill 800.825.6937

VACUUM BOOSTER OUTLINE

SIZE: C2 150-400 Mech Seal

DR JS 3-6-91 CH LB 3-26-91