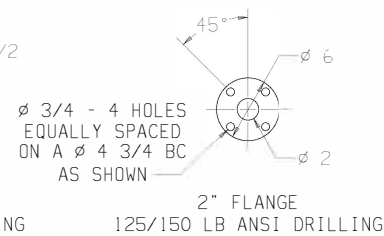
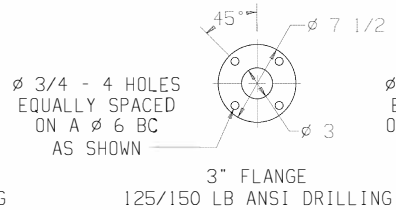
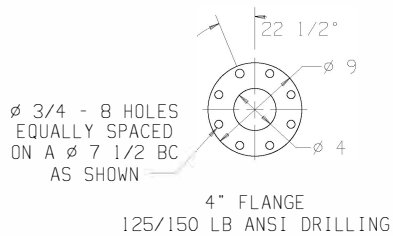
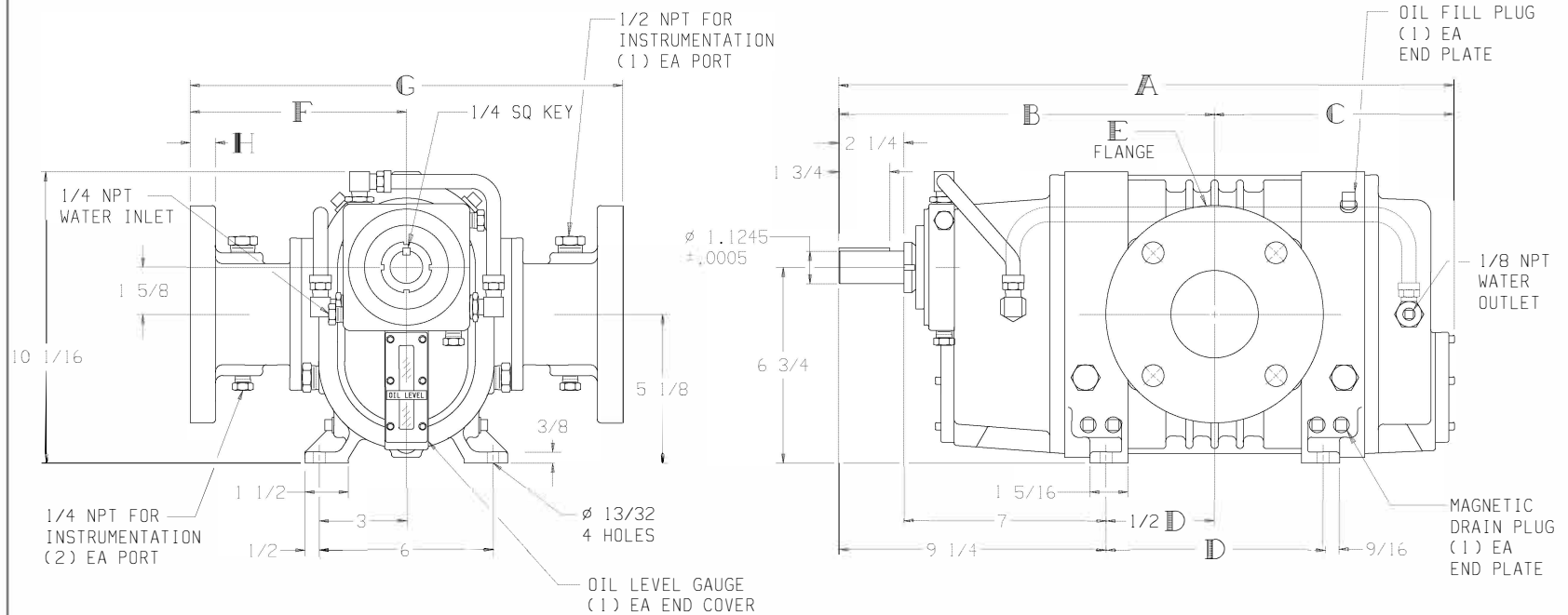


MODEL	A	B	C	D	E	F	G	H
150	19 1/4	12	7 1/4	5 1/2	2	6 5/8	13 1/4	9/16
240	21 1/4	13	8 1/4	7 1/2	3	7 7/16	14 7/8	7/8
400	25 1/4	15	10 1/4	11 1/2	4	7 7/16	14 7/8	15/16

LTR	REVISION	DATE	DR	CH
B	REDRAWN PER LATEST STD'S (ECN 1643)	3-20-91	JS	LB
C	ADDED 3204 TO TABLE (ECN 2253)	2-15-94	BD	LB
D	UPDATED TAB DIM LETTERS (ECN 2990)	4-15-97	SM	CM



REFER TO CURRENT MAINTENANCE MANUAL FOR SERVICE INSTRUCTIONS

**Tuthill** 800.825.6937

VACUUM BOOSTER OUTLINE

SIZE: C2 150-400 Mech Seal Horizontal

DR JS 3-6-91 CH LB 3-26-91