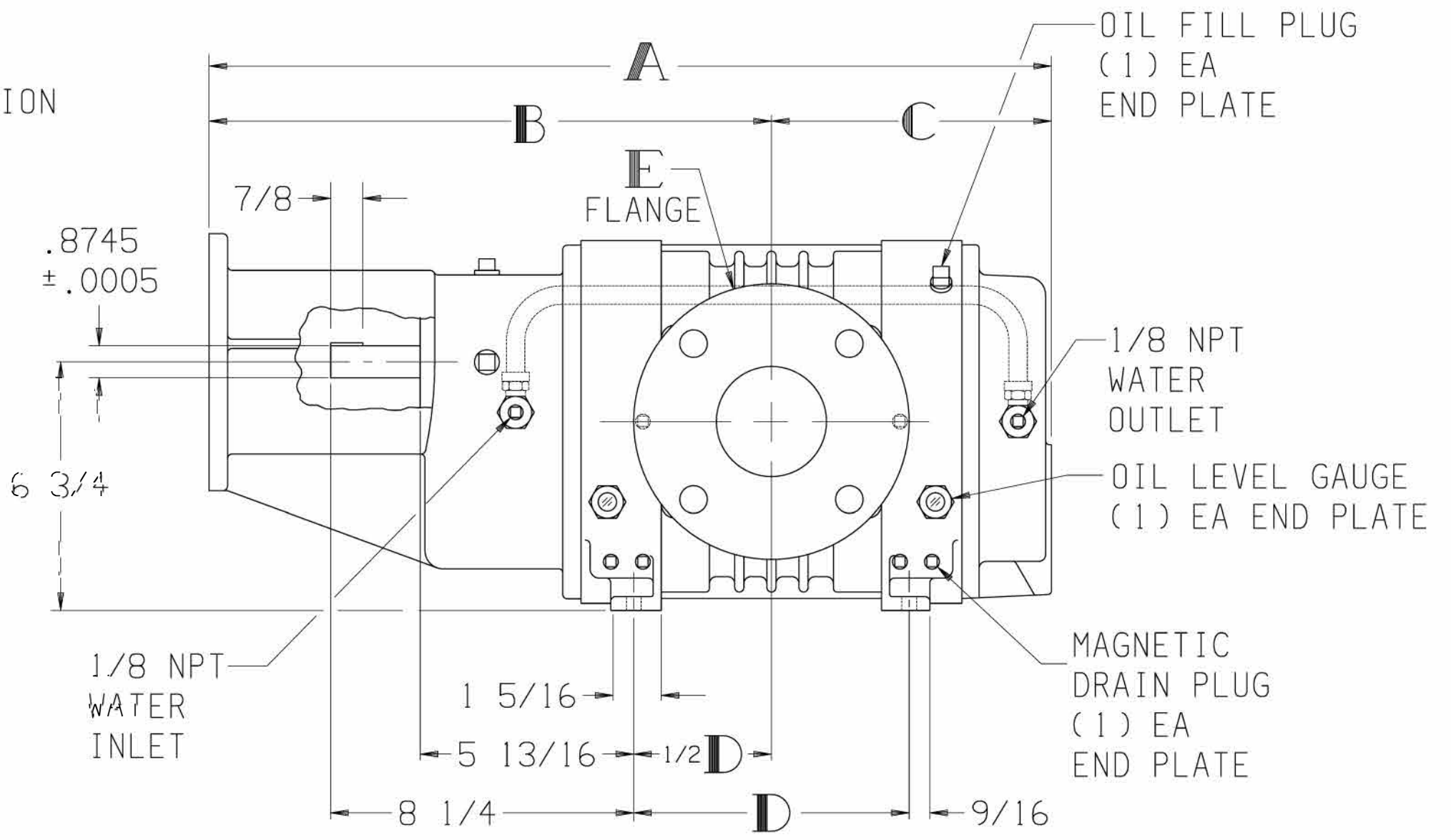
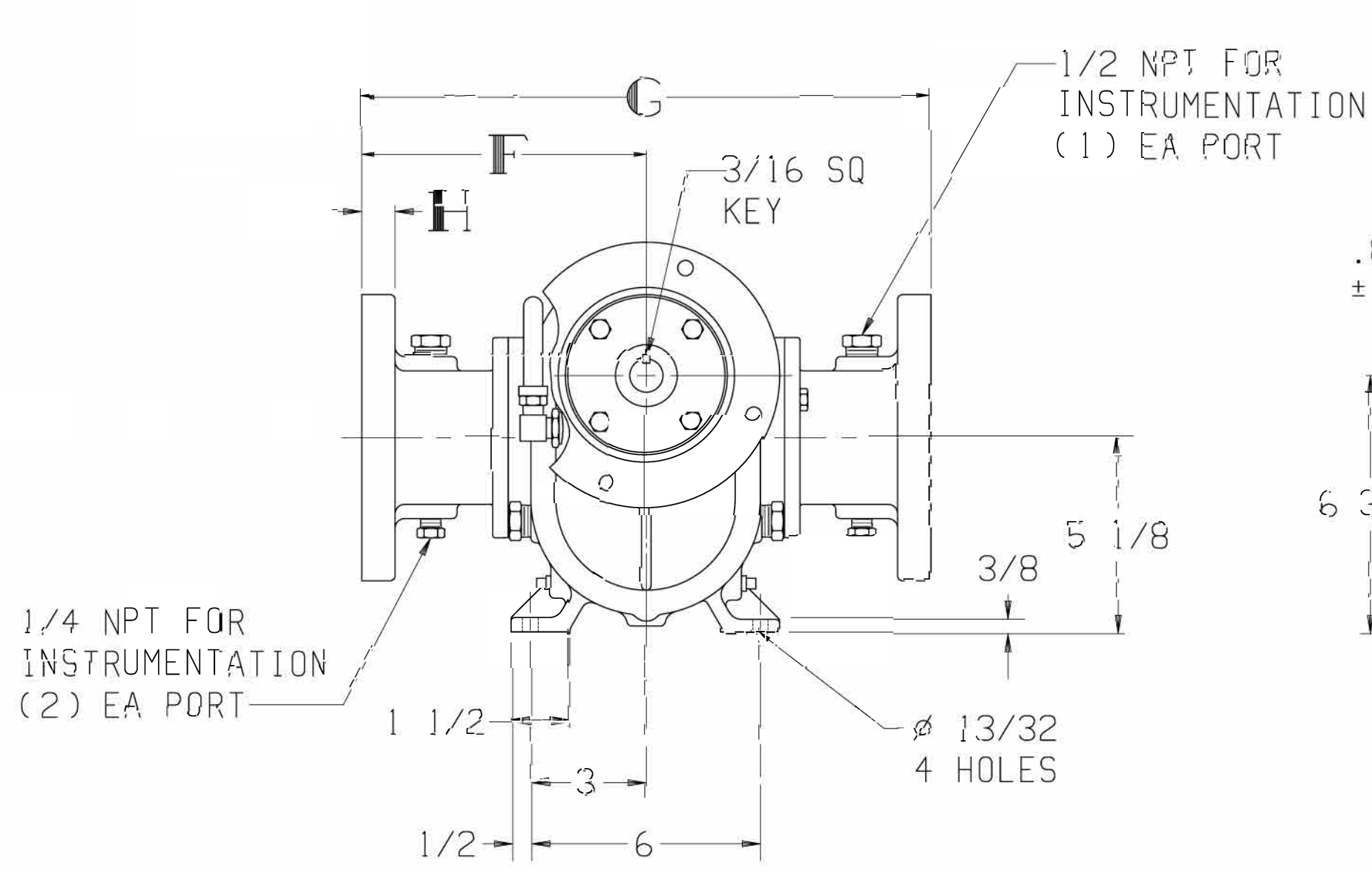
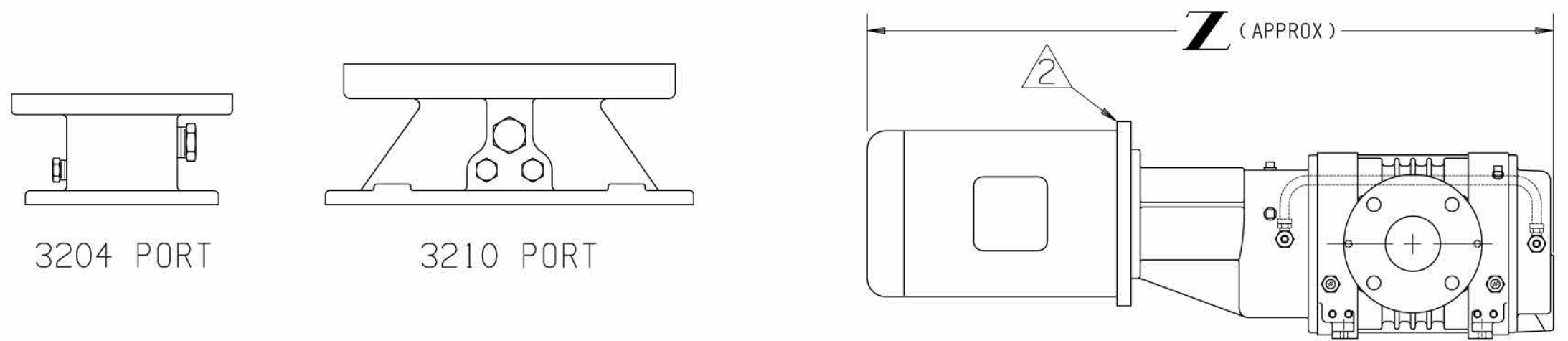


MODEL	A	B	C	D	E	F	G	H
150	20 11/16	14 1/16	6 5/8	5 1/2	2	6 5/8	13 1/4	9/16
240	22 11/16	15 1/16	7 5/8	7 1/2	3	7 7/16	14 7/8	7/8
400	26 11/16	17 1/16	9 5/8	11 1/2	4	7 7/16	14 7/8	15/16

LTR	REVISION	DATE	DR	CH
A	SHORTENED SHAFT & COVER 1/4" (ECN 5847)	8-23-11	CM	CM

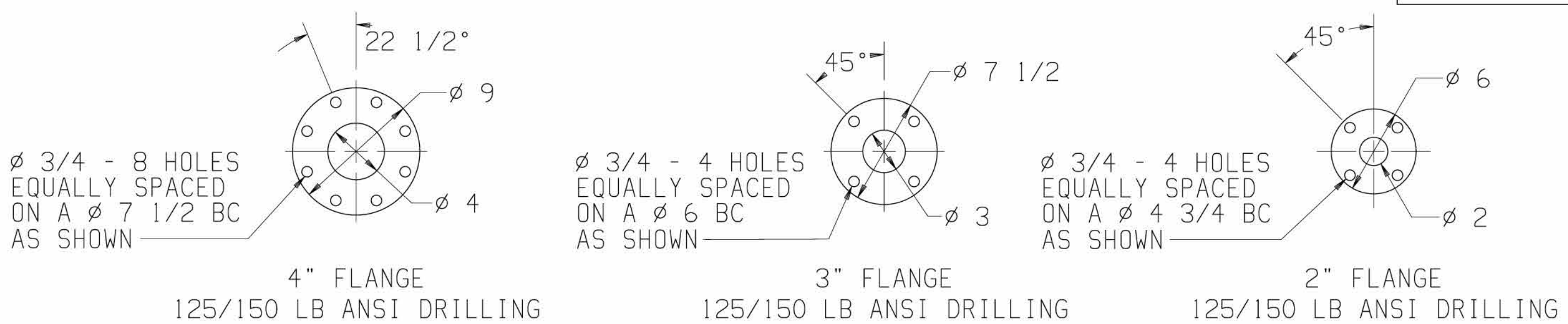


3206 SHOWN



NEMA MOTOR FRAME	NEMA MTG KIT PART NO.	Z APPROX		
		150	240	400
145TC	32172-140TCCP	32 5/8	34 5/8	38 5/8
182TC	32172-180TCCP	36 11/16	38 11/16	42 11/16
184TC	32172-180TCCP	37 11/16	39 11/16	43 11/16
213TC	32172-210TCCP	40 1/16	42 1/16	46 1/16
215TC	32172-210TCCP	40 9/16	42 9/16	46 9/16

NOTE: DIMENSIONS BASED ON TEFC MOTORS. ODP MOTORS WILL BE SHORTER.



NOTE:
1. REFER TO CURRENT MAINTENANCE MANUAL FOR SERVICE INSTRUCTIONS
2. REFER TO MOUNTING KIT TABLE FOR PROPER COUPLING AND MOUNTING HARDWARE.

Tuthill 800.825.6937
 VACUUM BOOSTER OUTLINE
 150-400 Mech Seal C-Flange
 DR CM.11-5-04 CH BD.11-19-04
 SIZE: C4 SCALE: 1/4 WT LBS