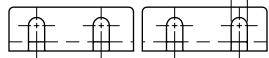
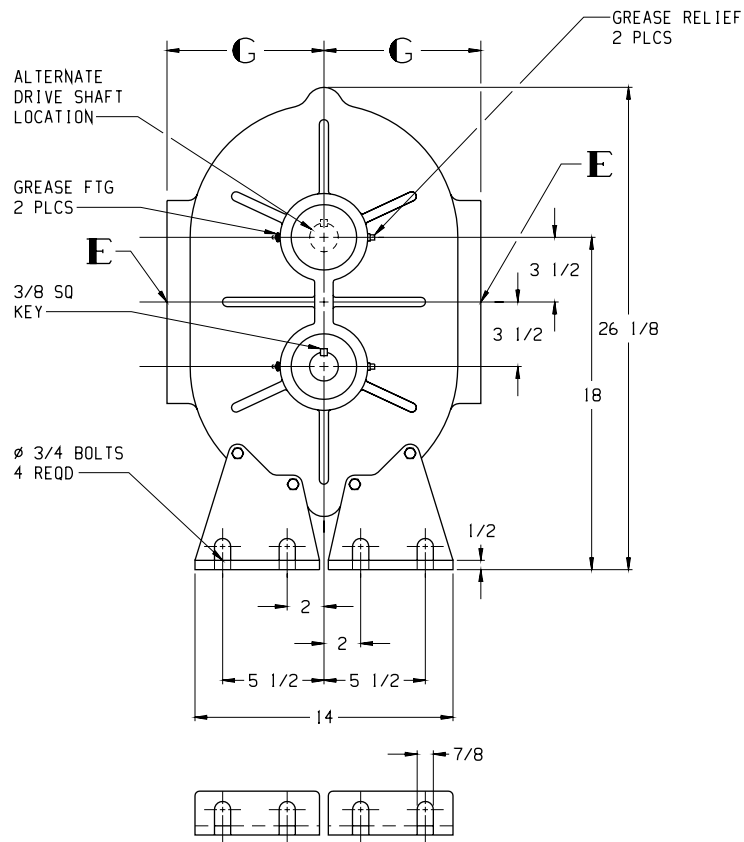
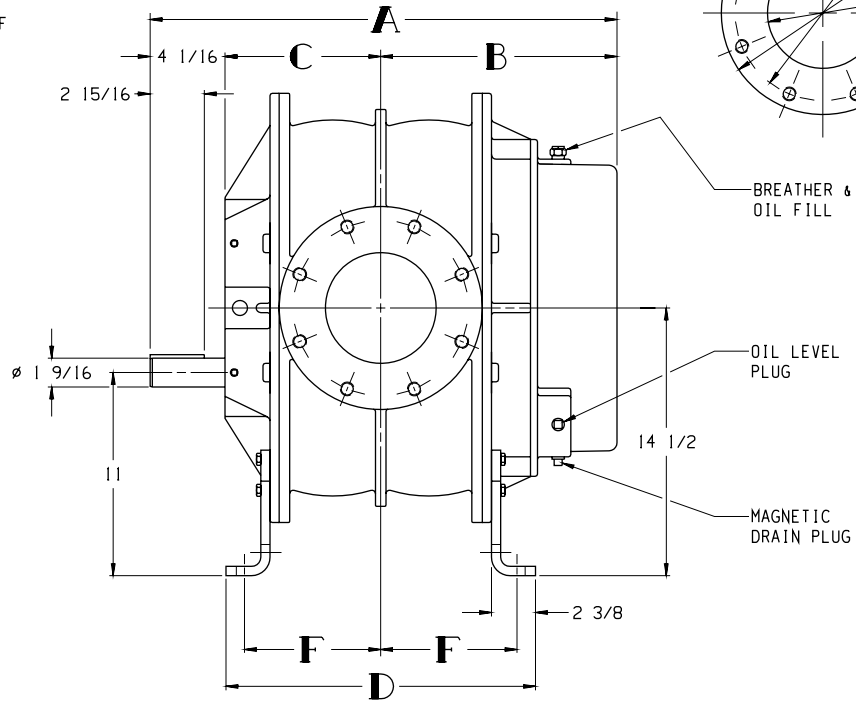


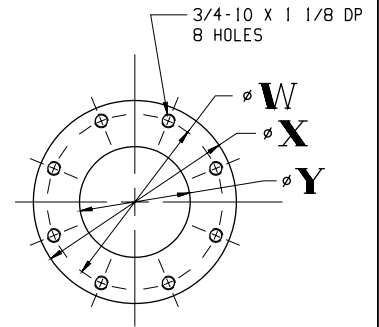
BLOWER MODEL	A	B	C	D	E	F	G	∅W	∅X	∅Y	WEIGHT LBS
7006	20 5/16	10 5/16	5 15/16	11 3/4	4 NPT	4 7/8	9 11/16	—	—	—	425
7011	25 5/16	12 13/16	8 7/16	16 3/4	6 FLG	7 3/8	8 1/2	9 1/2	11	6	555
7018	32 5/16	16 5/16	11 15/16	23 3/4	8 FLG	10 7/8	8 1/2	11 3/4	13 1/2	8	675



BOTTOM VIEW OF FEET



7011 BOTTOM DRIVE SHOWN



NOTE:
REFER TO CURRENT MAINTENANCE
MANUAL FOR SERVICE INSTRUCTIONS

Tuthill Springfield, MO USA
PUMP YOUR HEART INTO IT tuthillvacuumblower.com

CP SERIES OUTLINE DRAWING

7000 HORIZONTAL FLOW-GREASE DRIVE

DR BD 8-30-04 CH BD 3-1-05

SIZE# C4 SCALE# 3/16 WT LBS