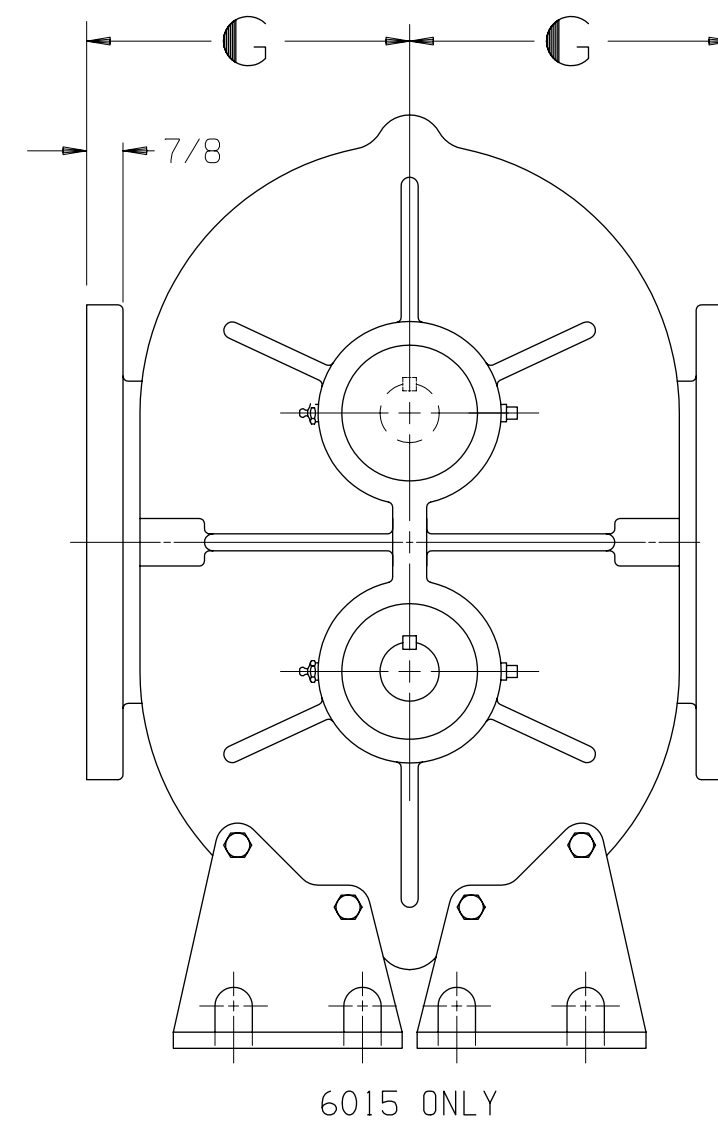
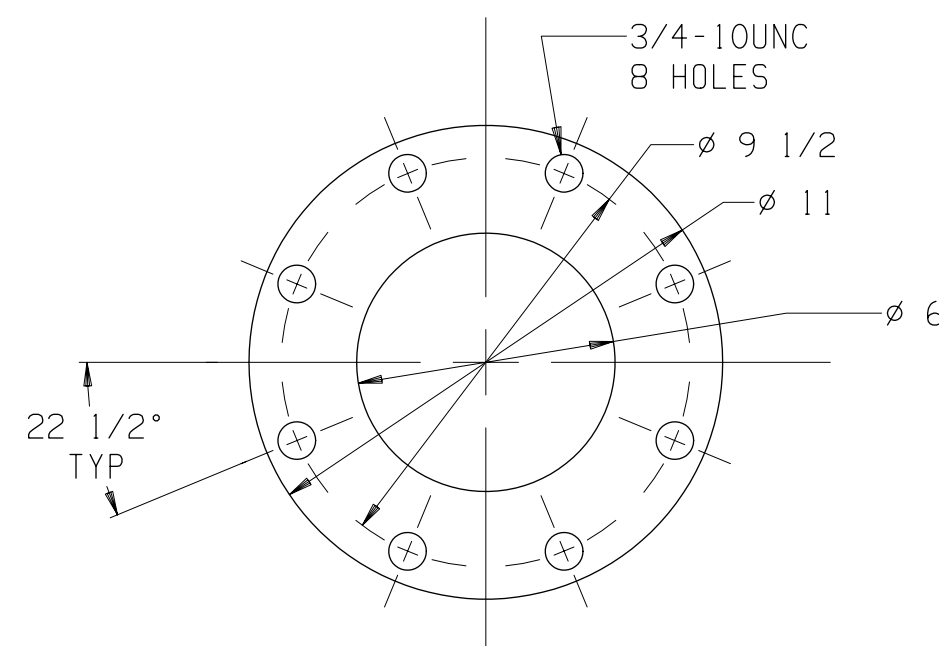
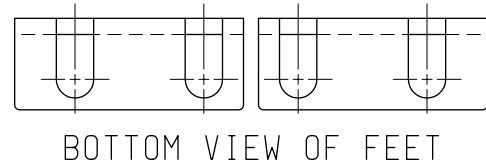
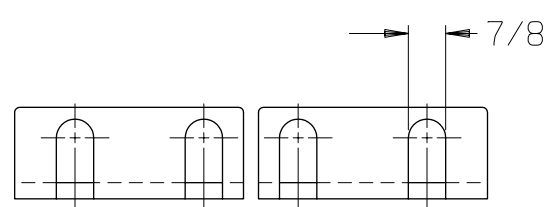
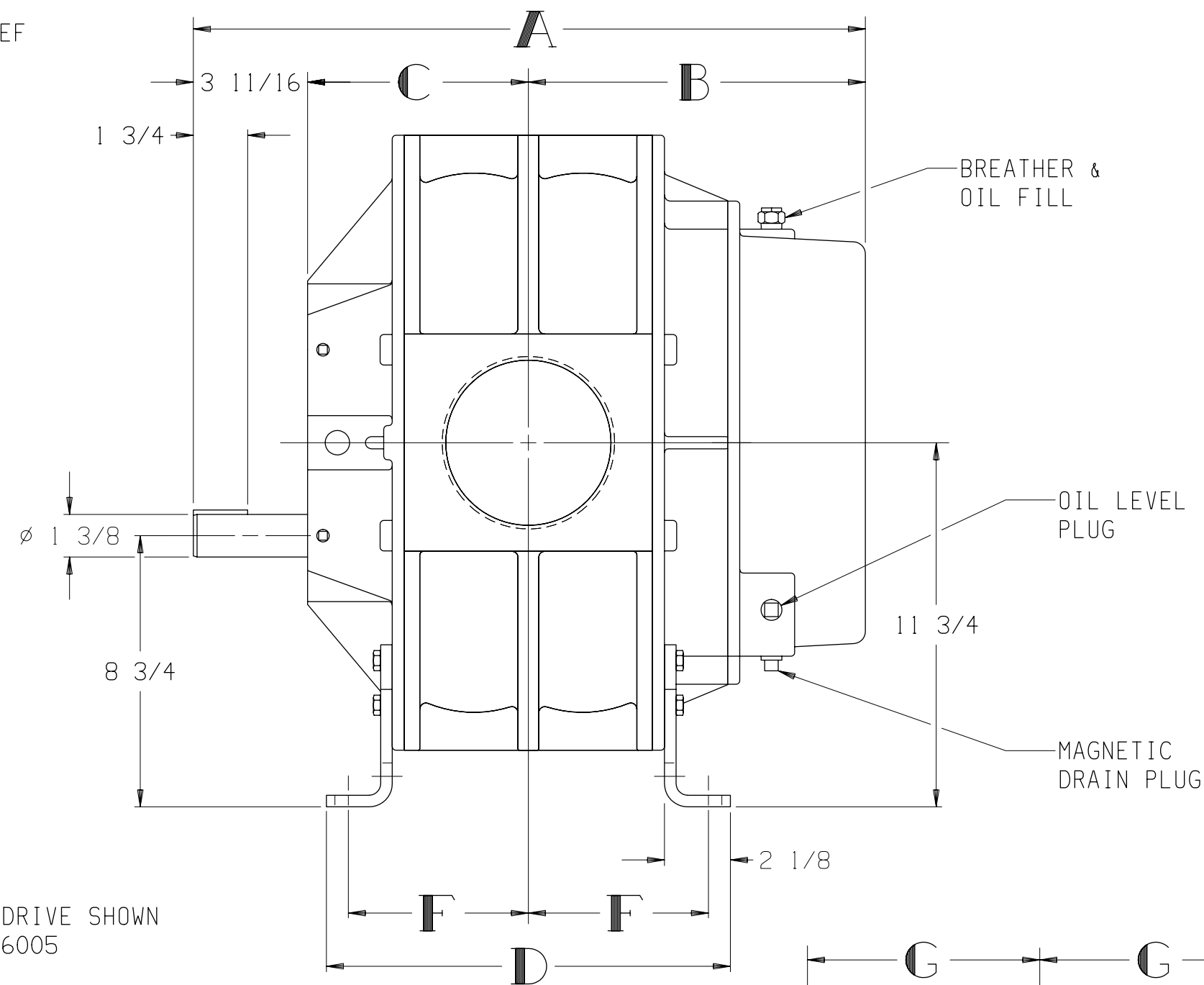
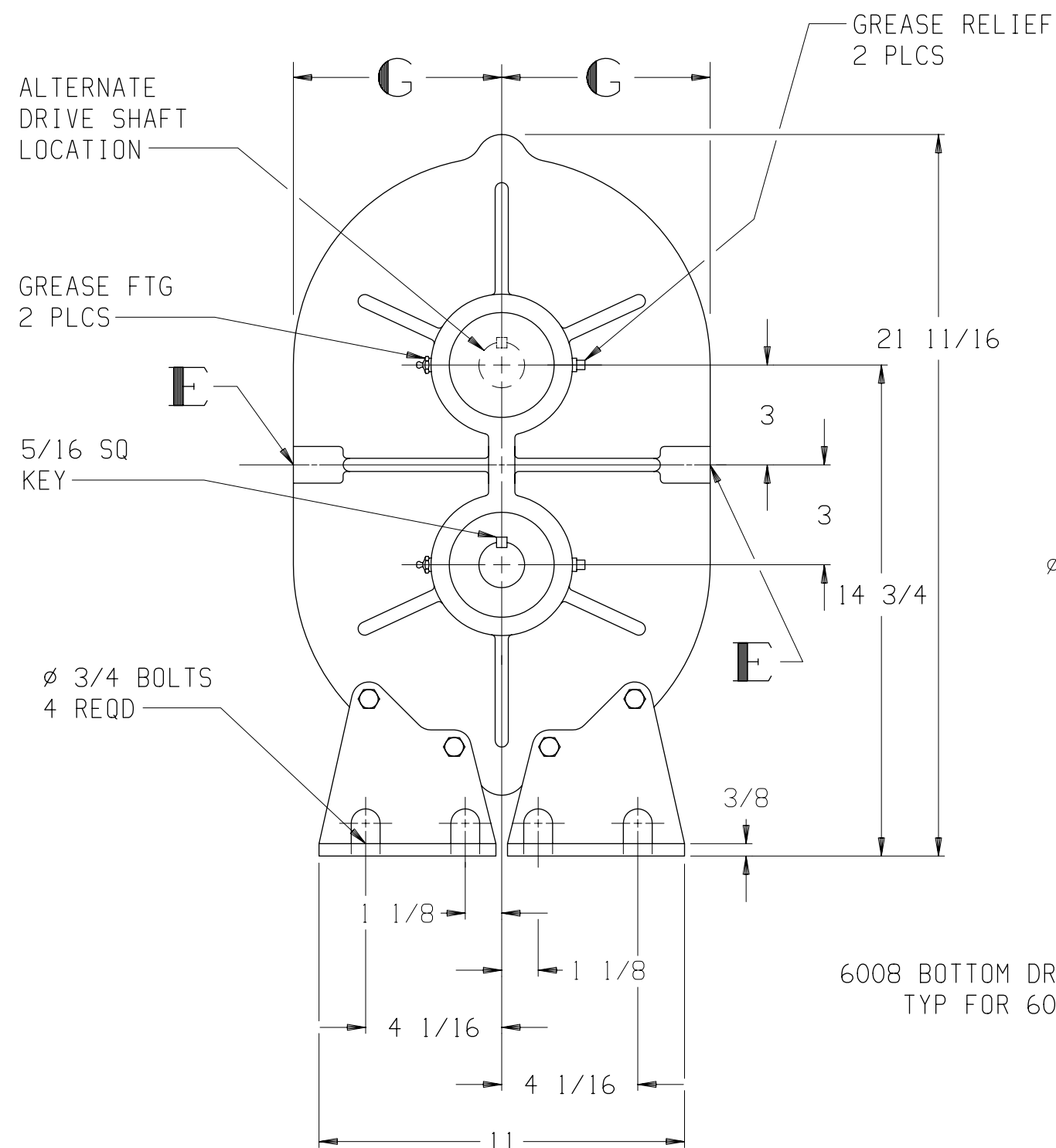


BLOWER MODEL	A	B	C	D	E	F	G	WEIGHT LBS
6005	18 11/16	9 3/8	5 5/8	10	3 NPT	4 1/4	6 1/4	250
6008	21 11/16	10 7/8	7 1/8	13	5 NPT	5 3/4	6 1/4	310
6015	28 11/16	14 3/8	10 5/8	20	6 FLG	9 1/4	7 1/2	456

LTR	REVISION	DATE	DR	CH
A	ADDED FRONT VIEW FOR MODEL 6015	11-15-07	BD	BD
B	HOLES IN FLANGE FOR MODEL 6015 WAS 3/4-10UNC (ECN 5035)	12-14-07	BD	RR
C	3/4-10UNC HOLES IN FLANGE FOR MODEL 6015 WAS ϕ 7/8 (ECN 5284)	10-9-08	CM	BD



NOTE:
REFER TO CURRENT MAINTENANCE
MANUAL FOR SERVICE INSTRUCTIONS

Tuthill Springfield, MO USA
PUMP YOUR HEART INTO IT tuthillvacuumblower.com

CP SERIES OUTLINE DRAWING

6000 HORIZONTAL FLOW-GREASE DRIVE

DR_BD 2-28-05 CH_BD 3-1-05

SIZE: C4 SCALE: 7/32 WT LBS