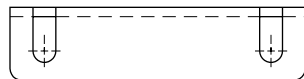
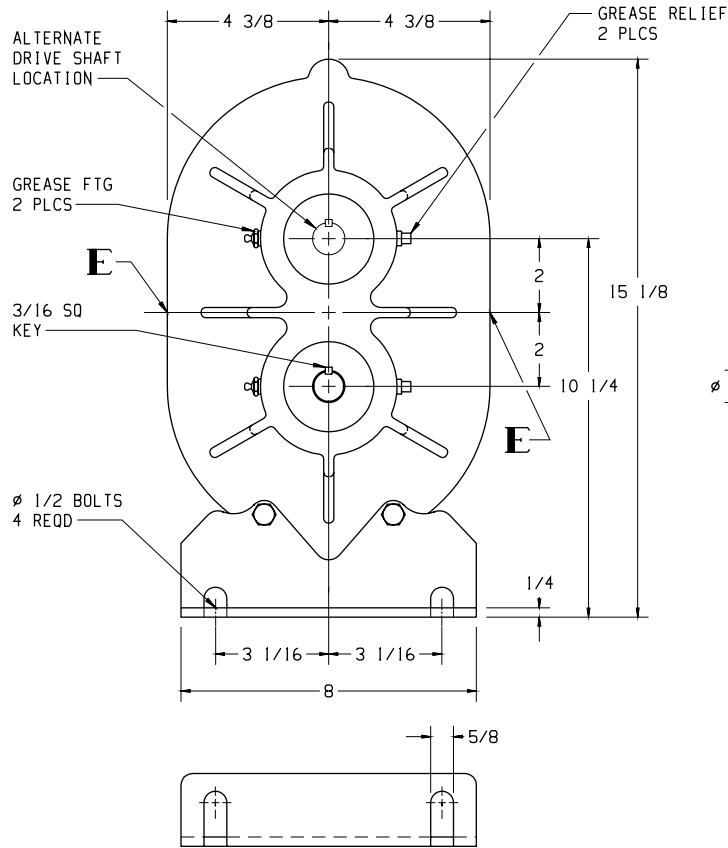
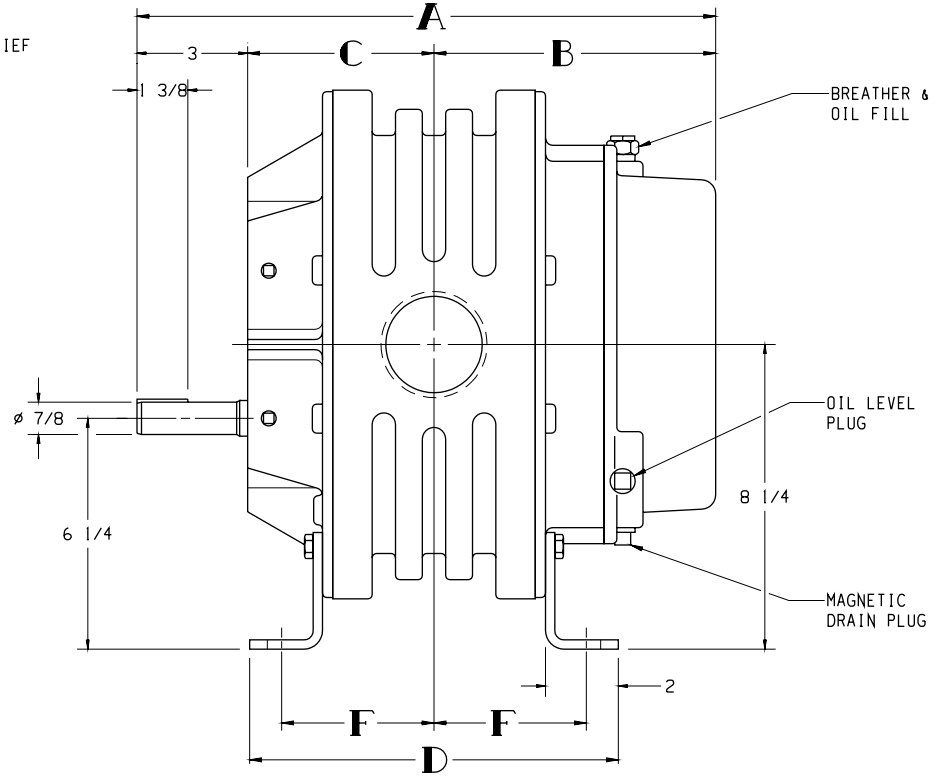


BLOWER MODEL	A	B	C	D	E	F		WEIGHT LBS
						MIN	MAX	
4002	12 15/16	6 1/4	3 11/16	7 1/4	1 1/2 NPT	2 5/8	2 7/8	95
4005	15 11/16	7 5/8	5 1/16	10	2 1/2 NPT	4	4 1/4	119
4007	17 7/16	8 1/2	5 15/16	11 3/4	3 NPT	4 7/8	5 1/8	138



BOTTOM VIEW OF FEET

NOTE:
REFER TO CURRENT MAINTENANCE
MANUAL FOR SERVICE INSTRUCTIONS



4005 BOTTOM DRIVE SHOWN

Tuthill Springfield, MO USA
tuthillvacuumblower.com
PUMP YOUR HEART INTO IT

CP SERIES OUTLINE DRAWING

4000 - HORIZONTAL FLOW-GREASE DRIVE

DR: BD 3-8-05 CH: BD 3-8-05

SIZE#	C4	SCALE#	3/8	WT	LBS
-------	----	--------	-----	----	-----