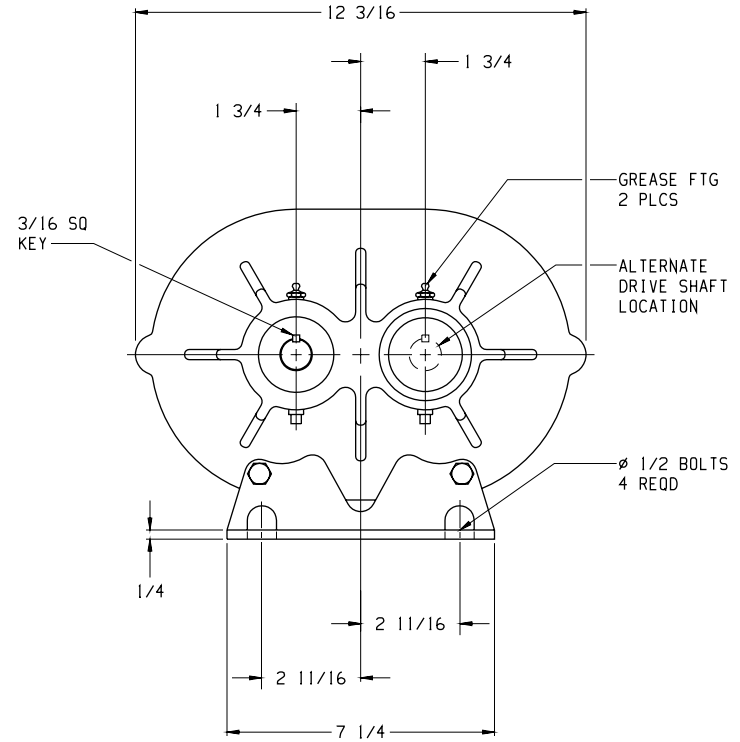
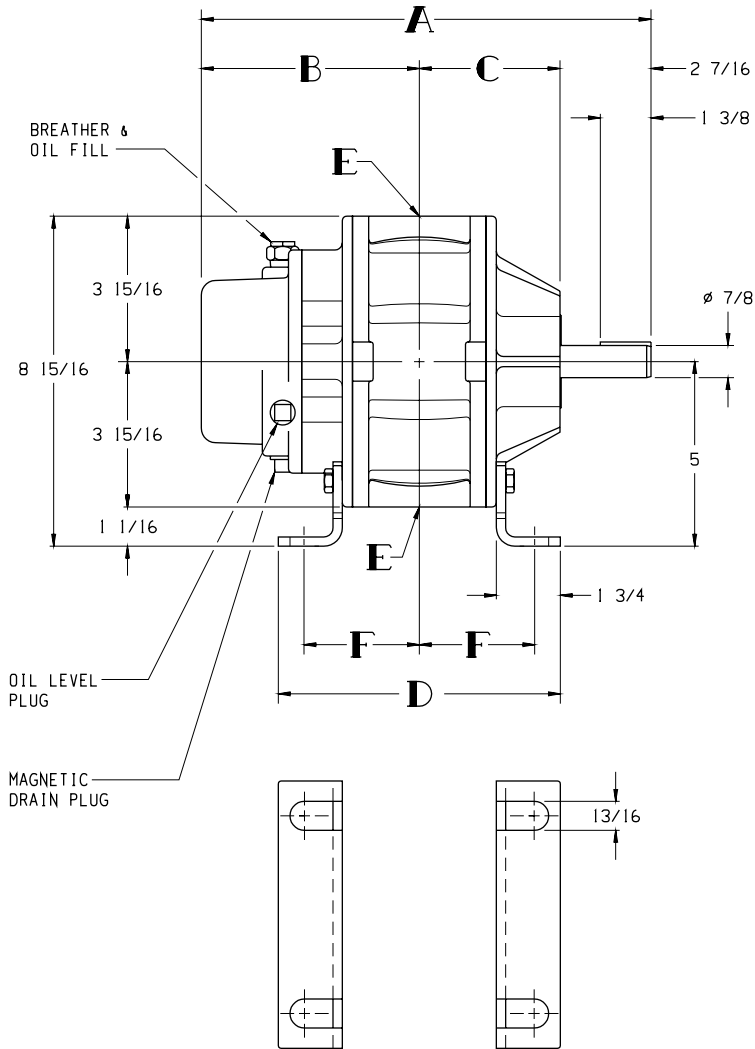


BLOWER MODEL	A	B	C	D	E	F		WEIGHT LBS
						MIN	MAX	
3002	11 1/2	5 11/16	3 3/8	6 3/4	1 1/4 NPT	2 9/16	2 11/16	78
3003	12 3/8	6 1/8	3 13/16	7 5/8	2 NPT	3	3 1/8	83
3006	14 3/4	7 5/16	5	10	2 1/2 NPT	4 3/16	4 5/16	113



3003 LEFT DRIVE SHOWN

BOTTOM VIEW OF FEET

NOTE:  
REFER TO CURRENT MAINTENANCE  
MANUAL FOR SERVICE INSTRUCTIONS

**Tuthill** Springfield, MO  
USA  
PUMP YOUR HEART INTO IT  
tuthillpumpblower.com

**CP SERIES OUTLINE DRAWING**

3000 - VERTICAL FLOW-GREASE DRIVE

DR CM,8-9-04 CH BD 4-20-05

SIZE# C4 SCALE# 3/8 WT LBS