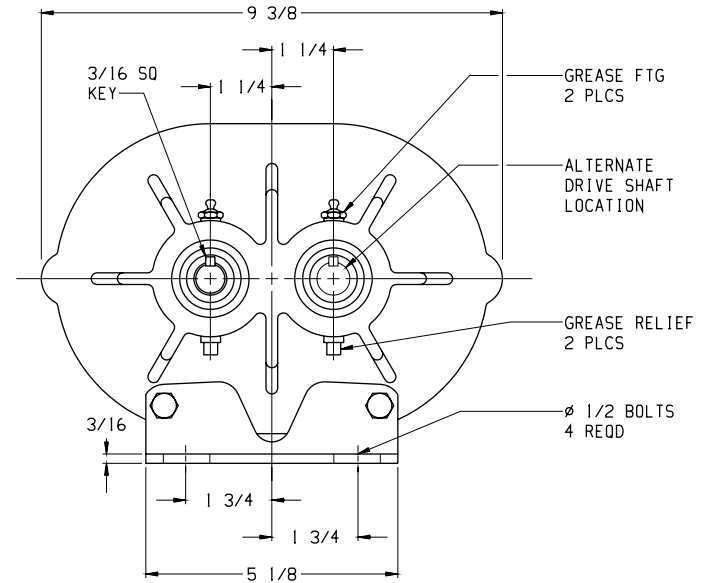
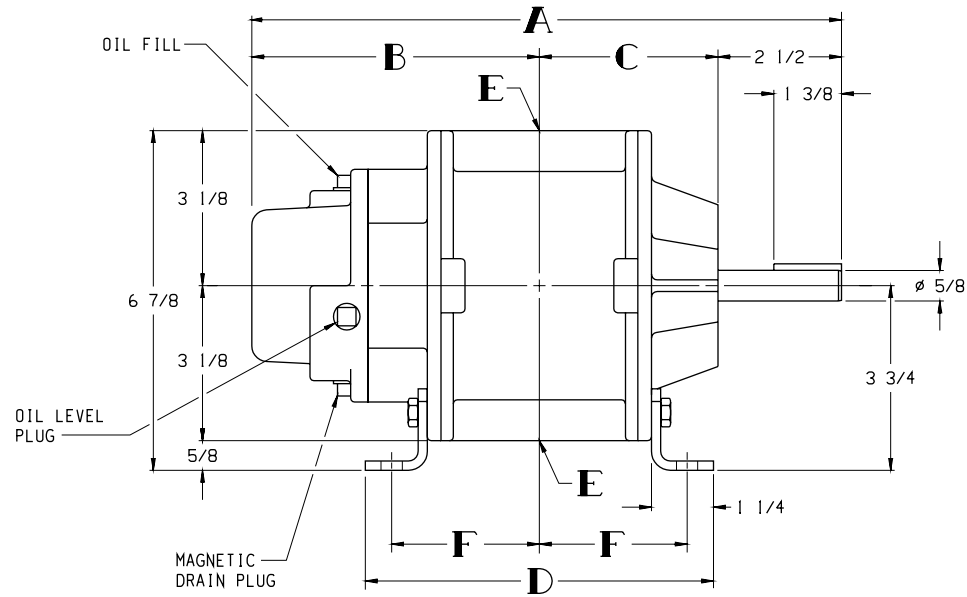
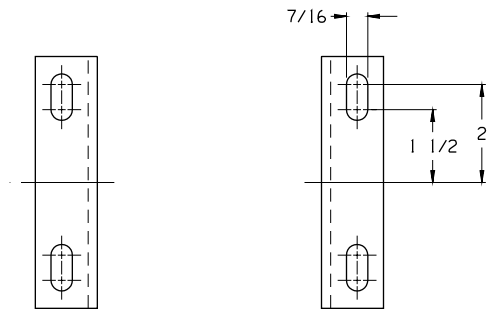


BLOWER MODEL	A	B	C	D	E	F		WEIGHT LBS
						MIN	MAX	
2002	10 1/8	5	2 5/8	5 1/16	1 NPT	2	2	41
2004	12 1/8	6	3 5/8	7 1/16	2 NPT	3	3	53



2004 LEFT DRIVE SHOWN



BOTTOM VIEW OF FEET

NOTE:
REFER TO CURRENT MAINTENANCE
MANUAL FOR SERVICE INSTRUCTIONS

Tuthill Springfield, MO USA
PUMP YOUR HEART INTO IT tuthillvacuumblower.com

CP SERIES OUTLINE DRAWING

2000 - VERTICAL FLOW - GREASE DRIVE

DR BD 4-21-05 CH BD 4-21-05

SIZE# C4 SCALE# 1/2 WT LBS