

Vacuum Boosters

Models 3200, 4200, 5400, 7300

- Vertical Flow, Mechanical Seals, Integral Pressure Lubrication
- Horizontal Flow, Mechanical Seals, Integral Pressure Lubrication
- Vertical Flow, Slinger Seals, Integral Pressure Lubrication
- Horizontal Flow, Slinger Seals, Integral Pressure Lubrication
- Vertical Flow, Mechanical Seals
- Horizontal Flow, Mechanical Seals
- Vertical Flow, Slinger Seals
- Horizontal Flow, Slinger Seals

Vacuum boosters are used to “supercharge” vacuum pumps to greatly extend pump performance. This allows for much faster pumping speeds and deeper vacuum levels. M-D Pneumatics vacuum boosters from Tuthill Springfield are utilized worldwide in the manufacture of chemicals, petrochemicals, plastics, semiconductors and wood composites as well as food processing, vacuum furnace applications and many other general applications in industry.

Mechanical Seals, Integral Pressure Lubrication

These series incorporate mechanical seals on the rotor shafts and the drive shaft, flanged port fittings, water cooled drive shaft seal, integral pressure lubrication system with water cooled heat exchanger, and cooling coils in the end covers. Water cooled drive shaft seal not included with optional motor mounting flange versions.

Slinger Seals, Integral Pressure Lubrication

These series utilize a mechanical drive shaft seal in conjunction with a non-contacting, non-wearing slinger seal on the rotor shafts, flanged port fittings, water cooled drive shaft seal, and integral pressure lubrication system with water cooled heat exchanger. Cooling coils are not available.

Mechanical Seals

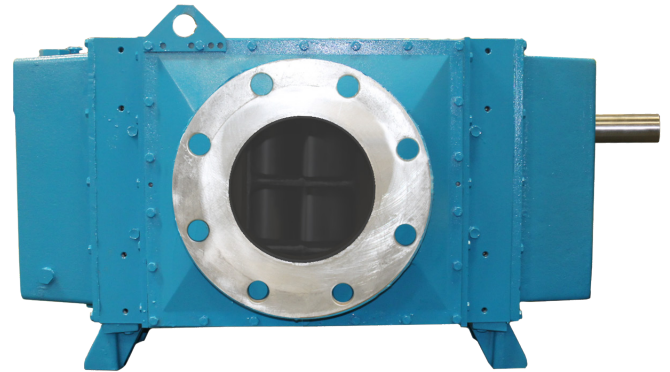
These series incorporate mechanical sealing on the rotor shafts and the drive shaft, flanged port fittings, and water cooled drive shaft seal. Cooling coils are not available.

Slinger Seals

These series utilize a mechanical drive shaft seal in conjunction with a non-contacting, non-wearing slinger seal on the rotor shafts, water cooled drive shaft seal, flanged port fittings, and are dependable performers for air and many gas applications. Cooling coils are not available.

Low Mechanical Noise

Every M-D Pneumatics vacuum booster is designed to operate at 82 dB(A) or less at blank-off (open field; motor and background noise excluded).



Optional Materials and Coating Available

Standard construction materials include cast iron housing, end plates and port fittings with ductile iron rotors and shafts. In addition to standard construction, the following materials are available:

Special Materials

Ductile Iron

Special Coatings

Bi-Protec® (Nickel/Armoloy®)

Metric Availability

All M-D Pneumatics vacuum boosters are available with metric drive shaft and process connections.

Material Specifications:

Housing: Cast iron

End Plates: Cast iron

End Covers: Cast iron

Rotors: Ductile iron

Shafts: Ductile iron cast integrally with rotors

Drive Shaft: SAE 4140 forged alloy steel

Bearings: Gear end - Double row ball, both rotors
Back end - Double row ball

Drive Shaft: Spherical roller

Gears: Alloy steel, helical cut and precision ground

Seals: Drive shaft - Mechanical

Rotor shafts - Mechanical or Non-contacting slinger

Lubrication: Oil splash system, integral pressure lube optional

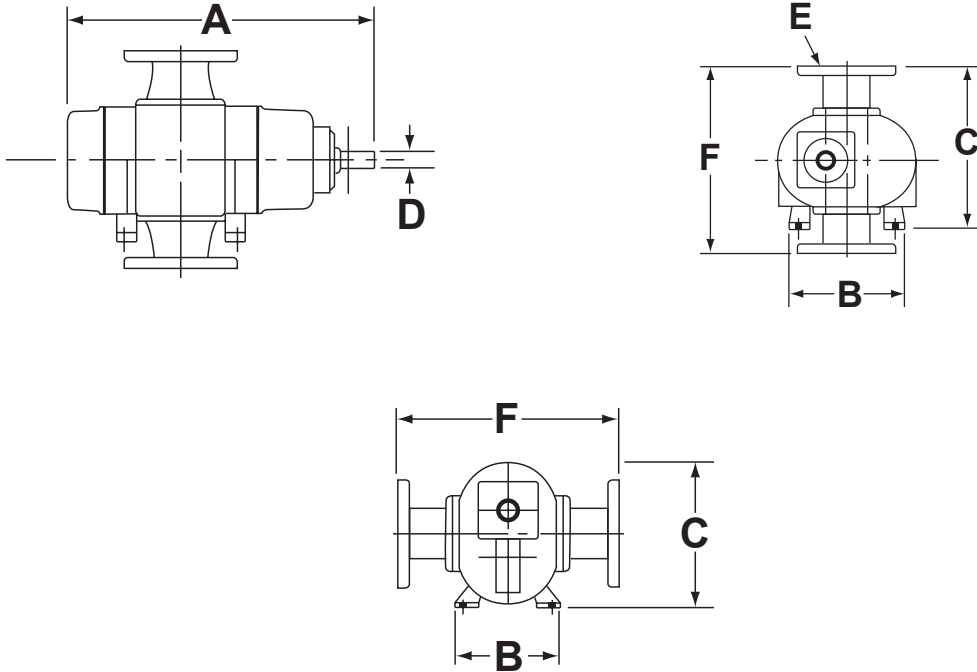
MODEL	Net Wgt. (lbs.)*
3200	2050
4200	2350

MODEL	Net Wgt. (lbs.)*
5400	2560
7300	3250

*Approximate shipping weight.

Dimensions

Values shown are approximate and should not be used for construction.
 Certified drawings are available through your local Tuthill Springfield Sales Professional.



MODEL	SERIES	DISPL. CFM	A	B	C	D Ø	E	F
3200	V	800-3200	49.69	22.88	28.25	3.125	12" FLG	30.69
	H			13.81	32.69			
4200	V	1000-4200	54.59	22.88	28.25	3.125	12" FLG	30.69
	H			13.81	32.69			
5400	V	1400-5700	61.50	22.88	28.25	3.125	14" FLG	30.69
	H			13.81	32.69			
7300	V	1800-7400	70.19	22.84	28.24	3.125	16" FLG	30.70
	H			13.78	3.12			

Your Local Tuthill Vacuum Blower Systems Sales Professional:



Tuthill Springfield
 4840 West Kearney Street
 Springfield, Missouri USA 65803-8702
 o 417.865.8715 800.825.6937 f 417.865.2950
tuthillvacuumblower.com



TH-100 07/20