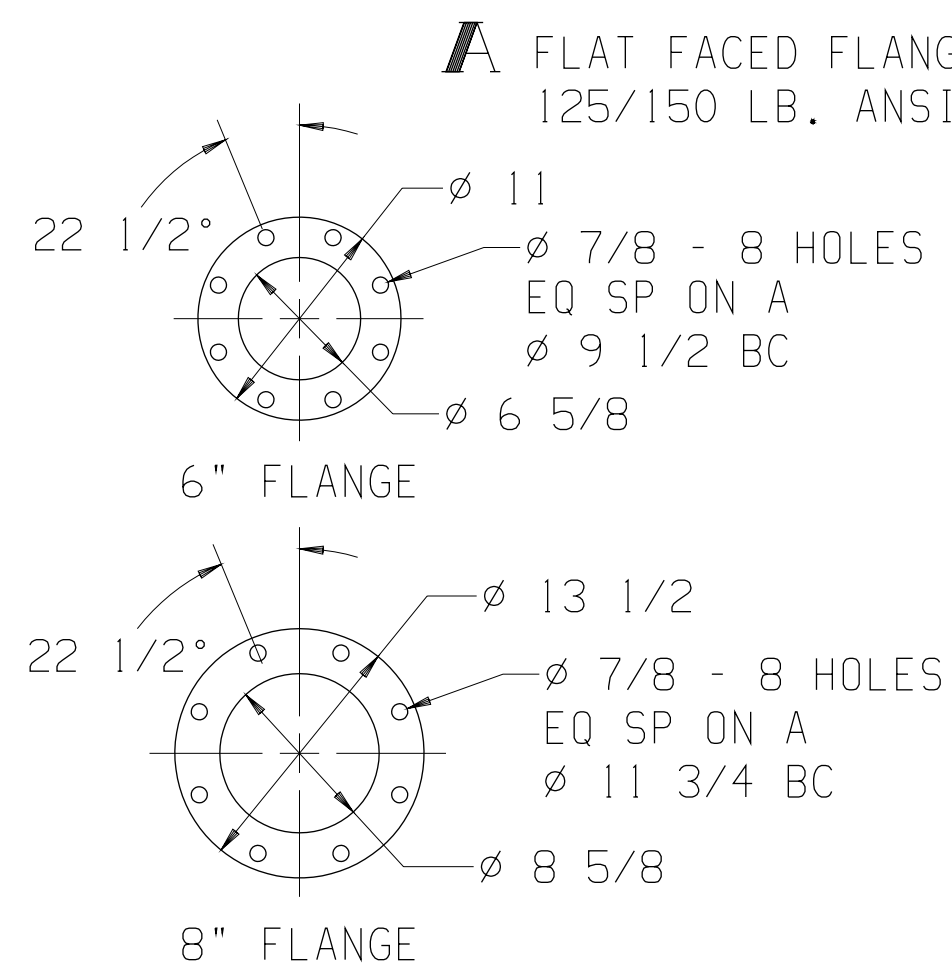
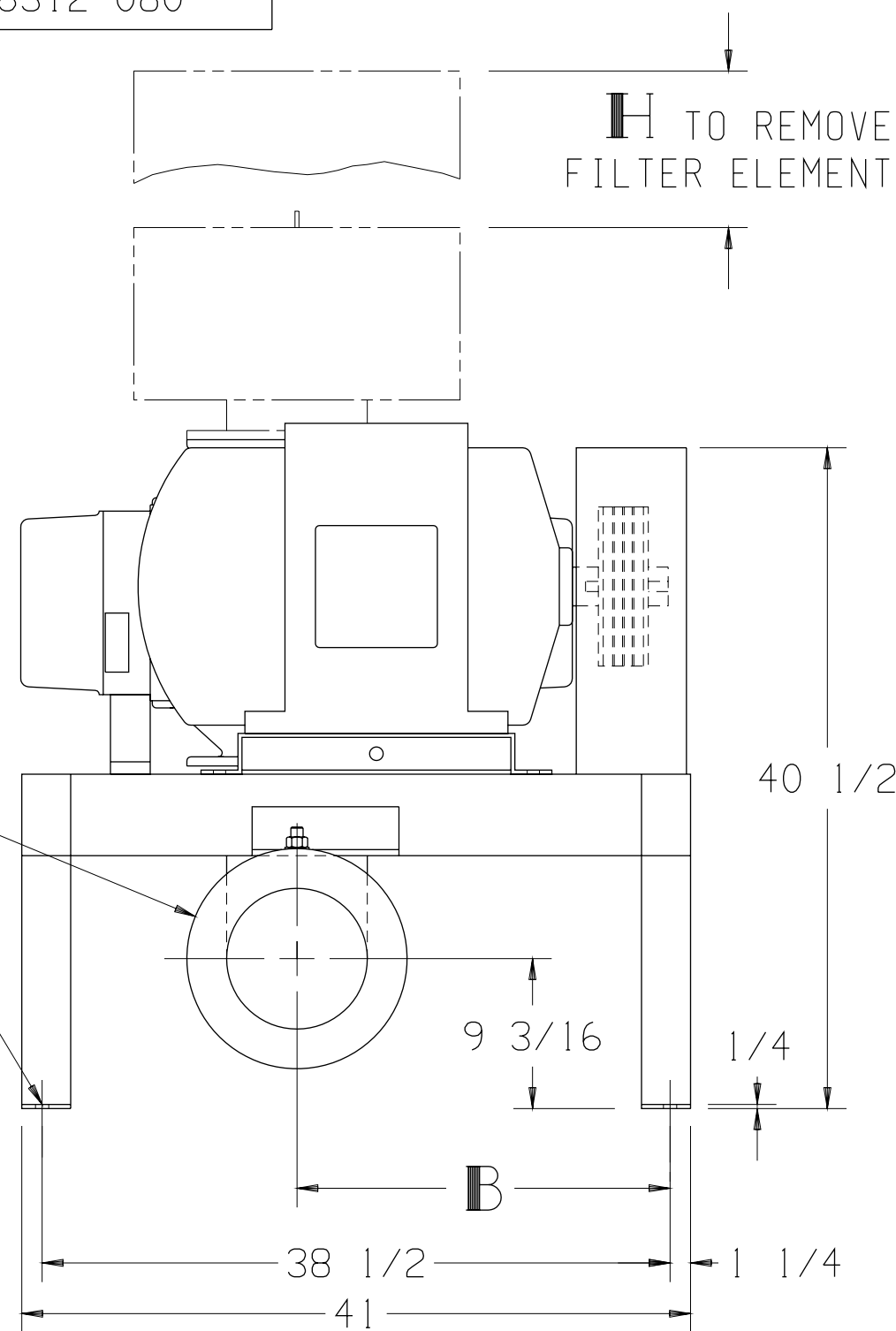


BLOWER	A	B	C	H	FILTER/SILENCER (OPTIONAL)
5511/5611 46/81	6 FLG	19 3/8	8 25 5/16	7 9 1/2	28206-060 26312-060
5514/5614 46/81	6 FLG	20 7/8	8 25 5/16	7 9 1/2	28206-060 26312-060
5516-46/81	8 FLG	21 7/8	13 33 15/16	12 18	28206-080 26312-080
5518/5618 46/81	8 FLG	22 7/8	13 33 15/16	12 18	28206-080 26312-080

MOTOR W/SLIDE BASE 1800 RPM, 230/460 V, 3 PH, 60 HZ		
HP	FRAME	TYPE
40	324T	ODP
50	326T	TEFC
60	364T	TEXP
75	365T	SEVERE DUTY TEFC
		SEVERE DUTY TEXP



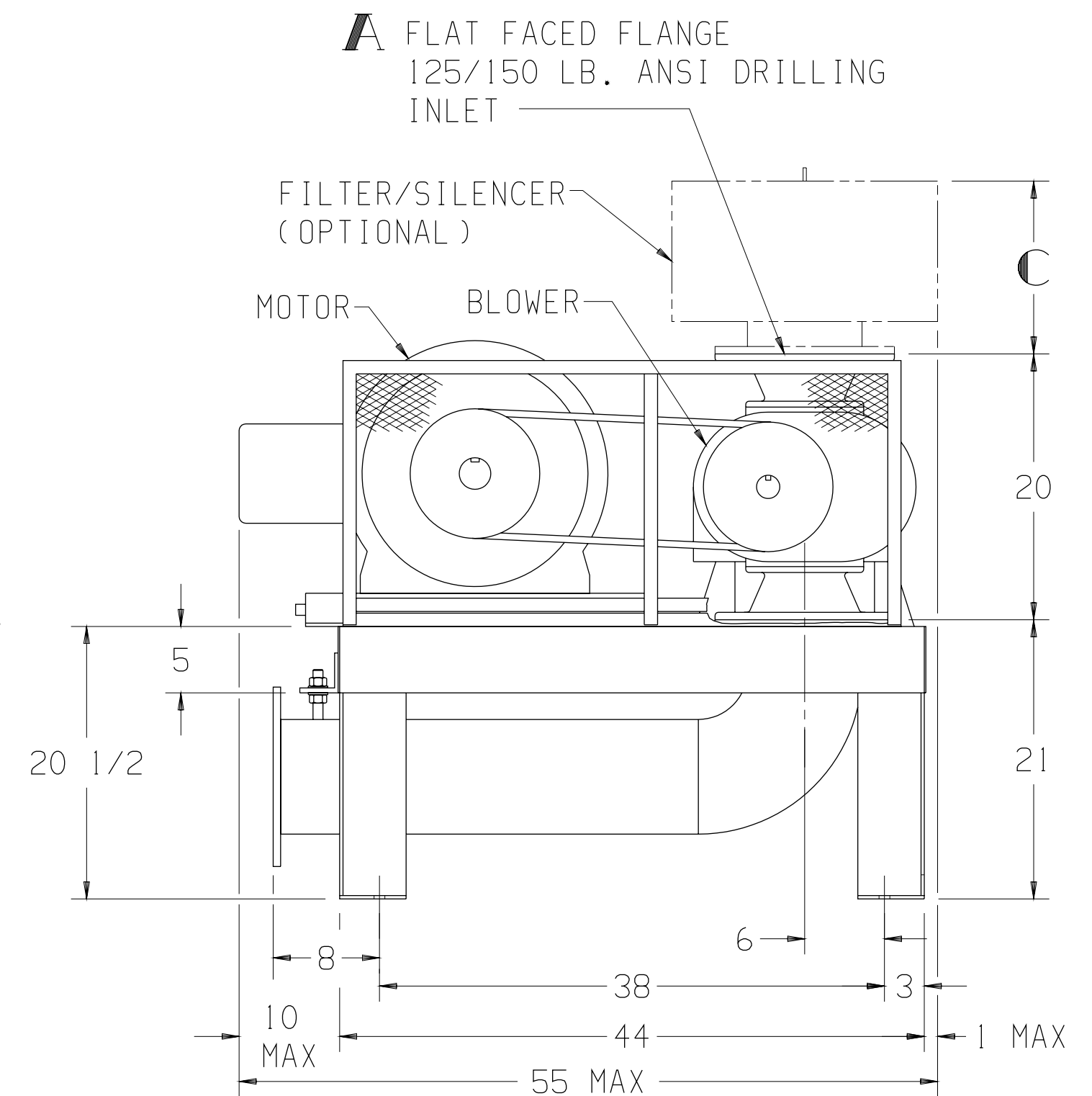
NOTE:  
1. THIS OUTLINE APPLIES TO THE BLOWERS & MOTORS SHOWN IN TABLES  
 5511-46/81 & 5611-46 SERIES WILL BE SPECIAL BLOWERS WITH FLG PORTS



APPROXIMATE WEIGHT

BASE, DRIVE & GUARD	-	382	LBS
BLOWER	-	___	LBS
MOTOR & SLIDE BASE	-	___	LBS
PIPING	-	108	LBS
FILTER/SILENCER	-	___	LBS
<b>TOTAL WEIGHT</b>	-	___	<b>LBS</b>

LTR	REVISION	DATE	DR	CH
A	ADD PIPING AND MAX DIMENSIONS. REMOVE METRIC DIMENSIONS (ECN 2893)	10-7-96	NF	AO
B	MOVED BRACKET TO OUTSIDE OF BASE. CHG UNIVERSAL FROM 26512-XXX AND CHANGED CORRESPONDING "C" DIM (ECN 2915 & 2919)	11-7-96	NF	AO
C	REMOVED ENCLOSURE NOTE (ECN 3123)	9-25-97	CM	BD
D	REVISED C DIMS FOR 26312-XXX FILTER/SILENCER (ECN 3412)	6-29-99	BD	CWM



BLOWER MODEL: \_\_\_\_\_

**Tuthill** 800.825.6937

BASE MOUNTED OUTLINE  
B5500VV6L

SIZE: C2	DR NF 1-26-96	CH AO 3-7-96
-------------	---------------	--------------