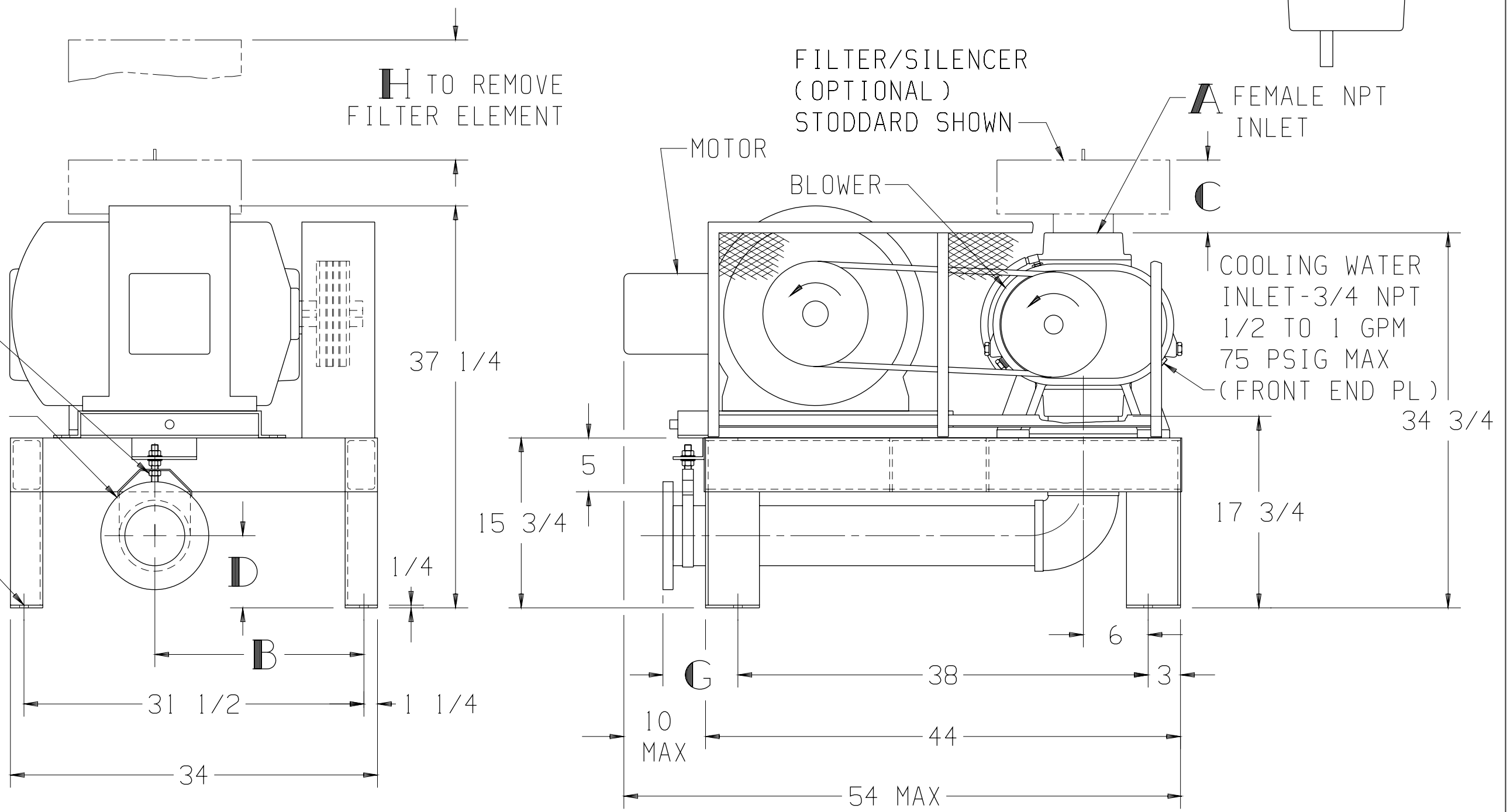
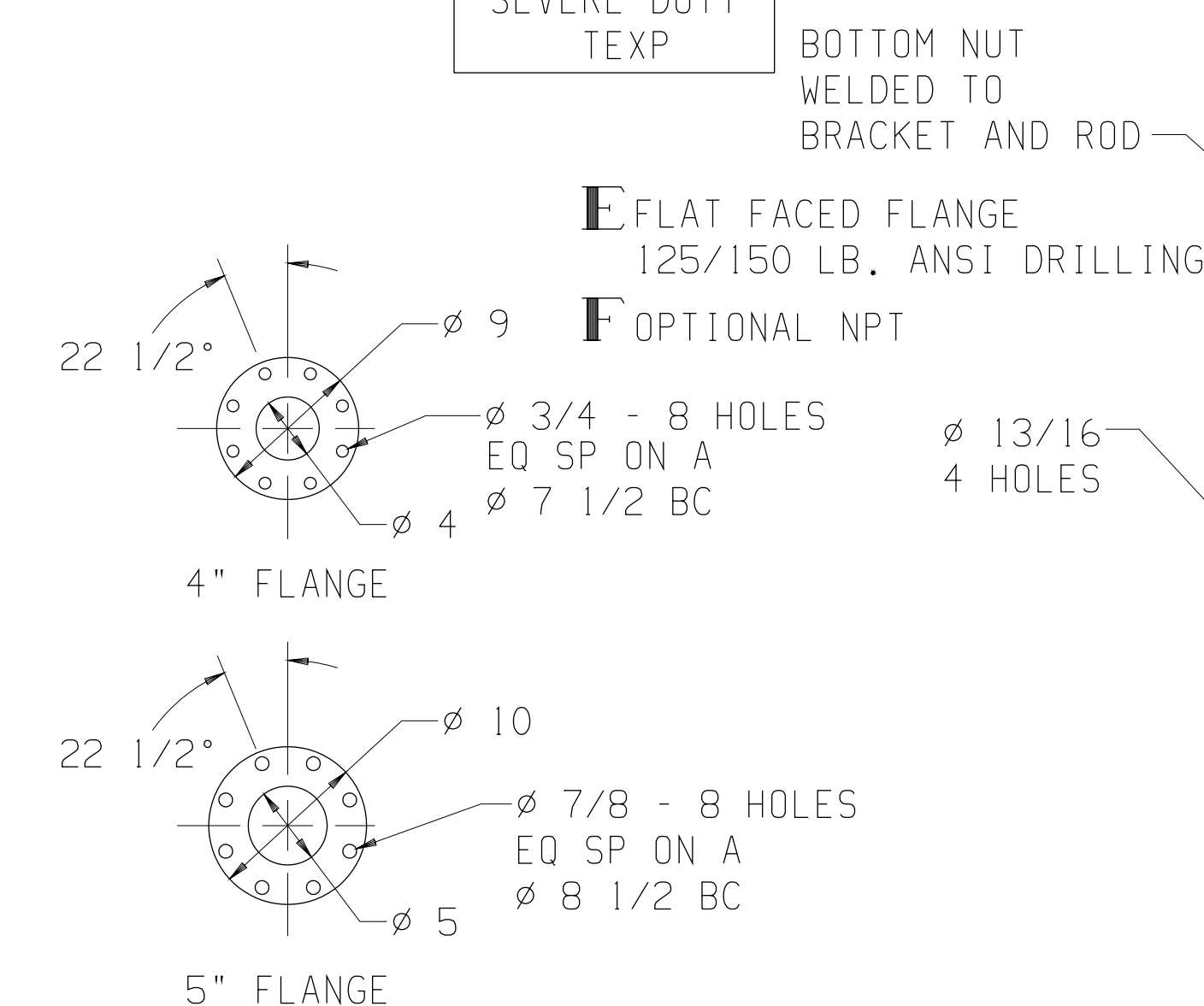


BLOWER	A	B	C	D	E	F	H	FILTER/SILENCER (OPTIONAL)
5507/5607 46E/81E	4 NPT	17 5/8	6 7/8	7 3/16	4 FLG	4 NPT	7	28206-040
			18 5/16				7 1/2	26312-T40
5509-46E/81E	5 NPT	18 3/8	6 3/4	6 3/4	5 FLG	5 NPT	7	28206-050
			18 3/4				7 1/2	26312-T50
5511/5611 46E/81E	5 NPT	19 3/8	6 3/4	6 3/4	5 FLG	5 NPT	7	28206-050
			18 3/4				7 1/2	26312-T50

LTR	REVISION	DATE	DR	CH
A	"B" DIMS WERE 5507-13 7/8, 5509-13 1/8, 5511-12 1/8 (ECN 2852)	8-21-96	NF	AO
B	ADD MAX DIMS, REMOVE METRIC DIMS (ECN 2893)	10-8-96	NF	AO
C	MOVED BRACKET TO OUTSIDE OF BASE, CHG UNIVERSAL FROM 26512-XXX AND CHANGED CORRESPONDING "C" DIM (ECN 2915 & 2919)	11-7-96	NF	AO
D	RE-ROUTED WATER HOSE TO LEFT SIDE (ECN 2991)	3-31-97	SM	LB
E	REMOVED ENCLOSURE NOTE (ECN 3123)	9-25-97	CM	BD
F	REVISED C DIMS FOR 26312-XXX FILTER/SILENCER (ECN 3412)	6-29-99	BD	CWM

MOTOR W/SLIDE BASE		1800 RPM, 230/460 V, 3 PH, 60 HZ	
HP	FRAME	TYPE	
40	324T	ODP	
50	326T	TEFC	
60	364T	TEXP	
75	365T	SEVERE DUTY TEFC	
		SEVERE DUTY TEXP	

G	
4 FLG	6 7/8
4 NPT	6 11/16
5 FLG	7 7/16
5 NPT	7 1/4



APPROXIMATE WEIGHT

BASE, DRIVE & GUARD-	324	LBS
BLOWER	-	___
MOTOR & SLIDE BASE	-	___
PIPING	-	66
FILTER/SILENCER	-	___
TOTAL WEIGHT	-	___

NOTE:
 1. THIS OUTLINE APPLIES TO THE BLOWERS & MOTORS SHOWN IN TABLES
 5607 & 5611-81E SERIES WILL BE A SPECIAL BLOWER WITH NPT PORTS

BLOWER MODEL: _____

800.825.6937
 BASE MOUNTED OUTLINE
 B5500VV5L-E
 SIZE: C2
 DR NF 8-16-96 CH MS 8-16-96