

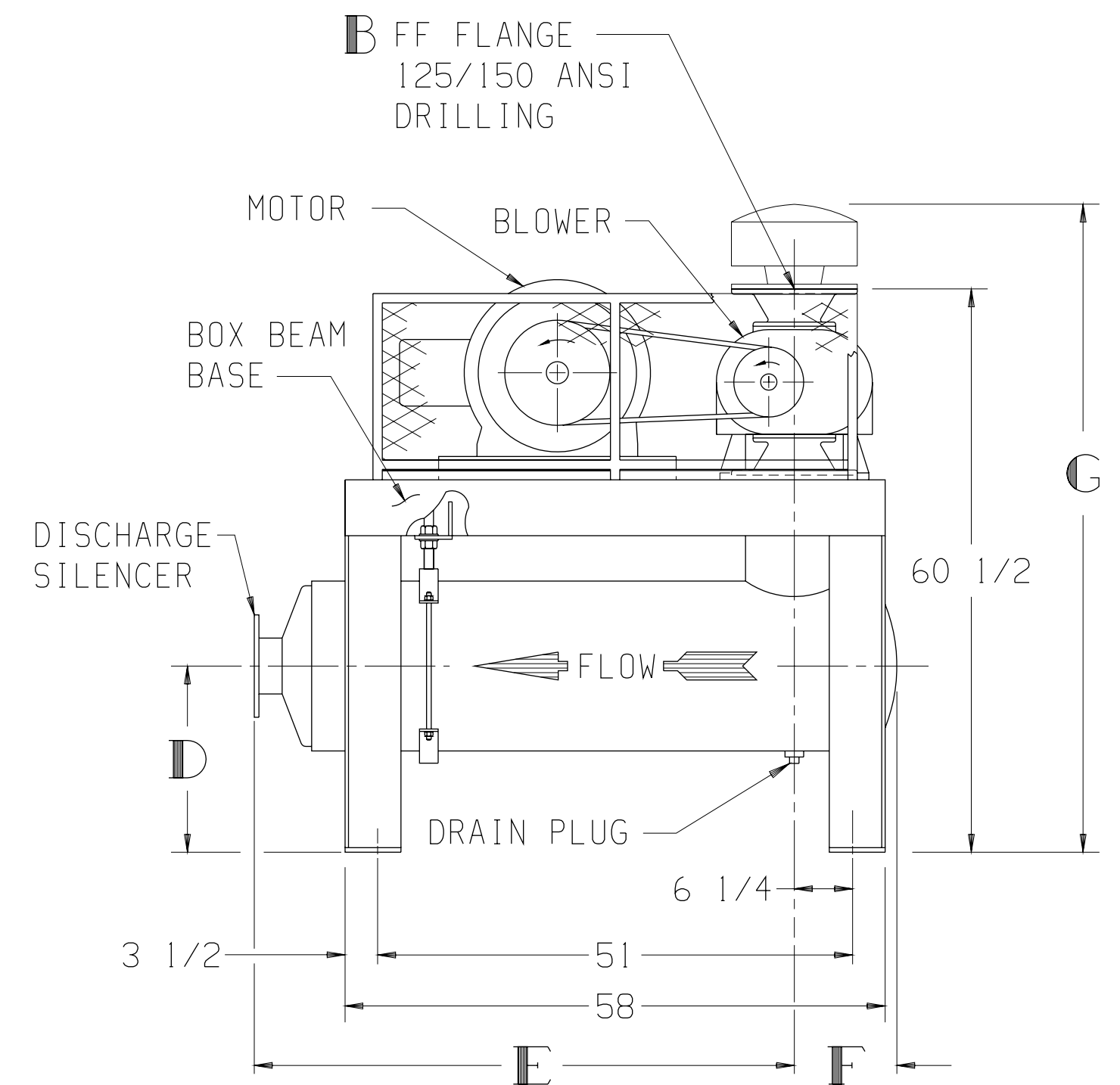
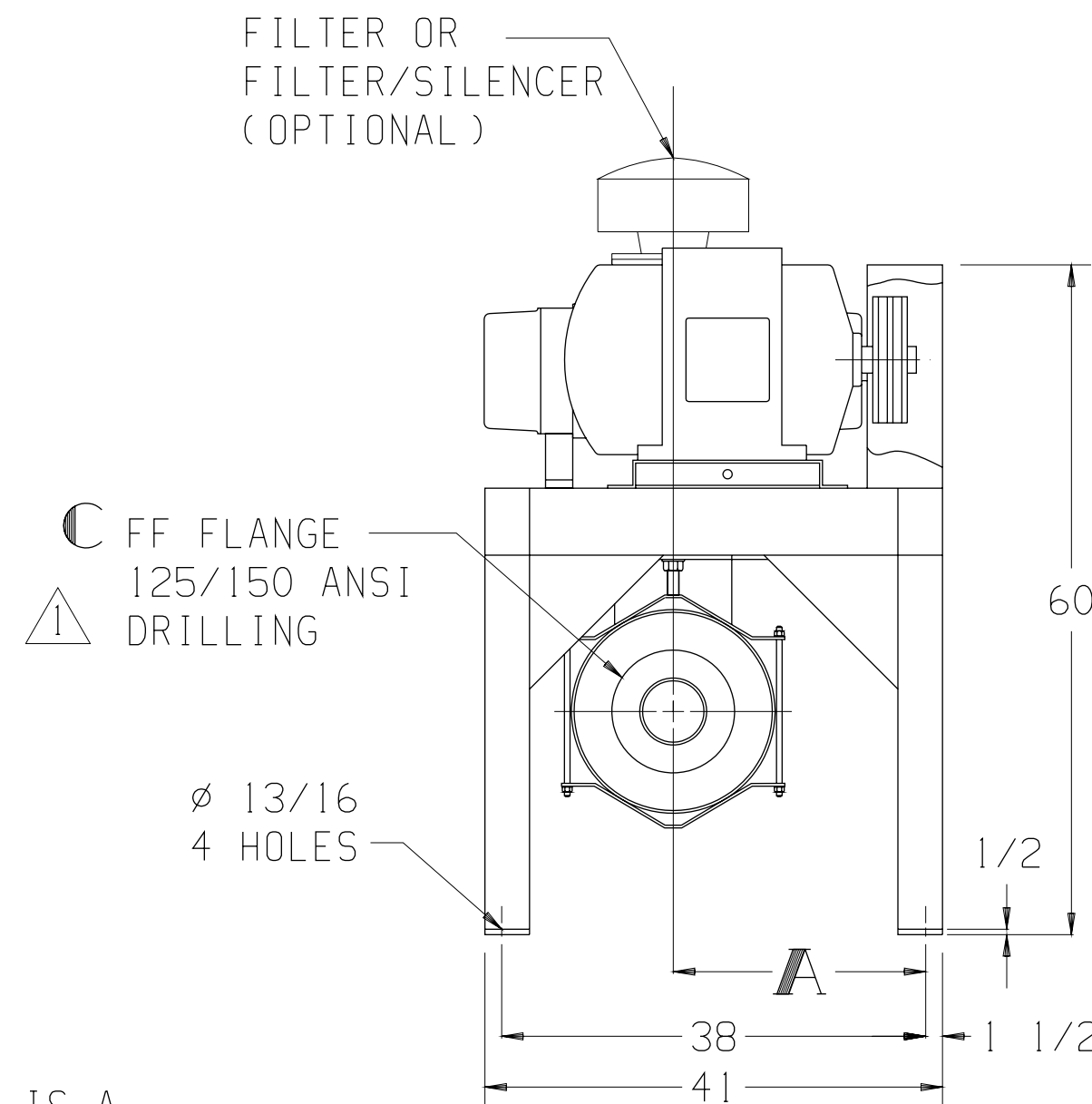
LTR	REVISION	DATE	DR	CH
C	1) SILENCERS WERE 29551 & 29552; 2) REMOVED 47 SERIES; 3) WAS 11 (ECN 4739)	7-19-06	CM	CM

BLOWER	DISCHARGE SILENCER <sup>1</sup>	C	D	E	F
5514	17326-AXXXX	4 FLG	26	42	8
	17326-AXXXX	5 FLG	24	53 1/2	9
	17301-060	6 FLG	20	58	11
5516 & 5518	17326-AXXXX	6 FLG	20	58	10
	17301-080	8 FLG	16	64	30

BLOWER	A	B
5514-46/81	20 5/8	6 FLG
5516-46/81	21 5/8	8 FLG
5518-46/81	22 5/8	8 FLG
5514-67 <sup>3</sup>	21 3/8	6 FLG
5516-67 <sup>3</sup>	22 3/8	8 FLG
5518-67 <sup>3</sup>	23 3/8	8 FLG

BLOWER	FILTER (OPTIONAL) <sup>2</sup>	G	FILTER/SILENCER (OPTIONAL) <sup>2</sup>	G
5514	26512-060	73 3/8	26312-060	85 13/16
5516 & 5518	26512-080	82 7/16	26312-080	94 7/16

MOTOR W/SLIDE BASE 1800 RPM, 230/460 V, 3 PH, 60 HZ		
HP	FRAME	TYPE
40	324T	ODP
50	326T	TEFC
60	364T	TEXP
75	365T	SEVERE DUTY TEFC
		SEVERE DUTY TEXP



NOTE:

<sup>1</sup> CONNECTION SIZE SHOWN IN TABLE ABOVE IS A STANDARD CONNECTION. WHEN REQUESTED, CONNECTION OTHER THAN STANDARD CAN BE SUPPLIED. IF SO, IT IS A \_\_\_\_\_ OUTLET CONNECTION.

<sup>2</sup> AN "X" IN A PART NUMBER INDICATES NEEDED INFORMATION FOR A COMPLETE PART NUMBER

<sup>3</sup> MOTORS FOR 67 SERIES BLOWERS ARE LIMITED TO 50 HORSEPOWER MAXIMUM.

THIS OUTLINE APPLIES TO THE BLOWERS & MOTORS SHOWN IN TABLES

APPROXIMATE WEIGHT

BASE, DRIVE & GUARD-	620	LBS
BLOWER	-	___ LBS
MOTOR & S.B.	-	___ LBS
SILENCERS	-	___ LBS
FILTER	-	___ LBS
TOTAL WEIGHT	-	___ LBS

**Tuthill** 800.825.6937

BASE MOUNTED OUTLINE B5500VV3A-DS

SIZE:  
C2

DR JS 6-22-92

CH BD 6-22-92