

BLOWER	INTAKE SILENCER ²	B	C	D	E	F
5514	17325-Axxxx	4 FLG	73	78 ³ / ₄	35	7 ¹ / ₂
	17325-Axxxx	5 FLG	76	83 ¹ / ₄	46	9
	17300-060	6 FLG	77 ¹ / ₂	85 ¹ / ₂	52 ¹ / ₂	9
5516 & 5518	17325-Axxxx	6 FLG	77 ¹ / ₂	85 ¹ / ₂	52 ¹ / ₂	9
	17300-080	8 FLG	82	92 ¹ / ₂	57	12

BLOWER	A
5514-46/81	20 ⁵ / ₈
5516-46/81	21 ⁵ / ₈
5518-46/81	22 ⁵ / ₈
5514-67 ³	21 ³ / ₈
5516-67 ³	22 ³ / ₈
5518-67 ³	23 ³ / ₈

LTR	REVISION	DATE	DR	CH
G	1) SILENCERS WERE 29551 & 29552; 2) REMOVED 47 SERIES; 3) WAS 11 (ECN 4739)	7-6-06	CM	BD

FILTER (OPTIONAL) ²	L	M
26512-F40X	17 ¹ / ₁₆	13 ⁵ / ₁₆
26512-F50X	18 ¹ / ₁₆	14 ⁵ / ₁₆
26512-060X	21 ³ / ₈	17 ¹ / ₁₆
26512-080X	30 ¹⁵ / ₁₆	18 ¹ / ₁₆

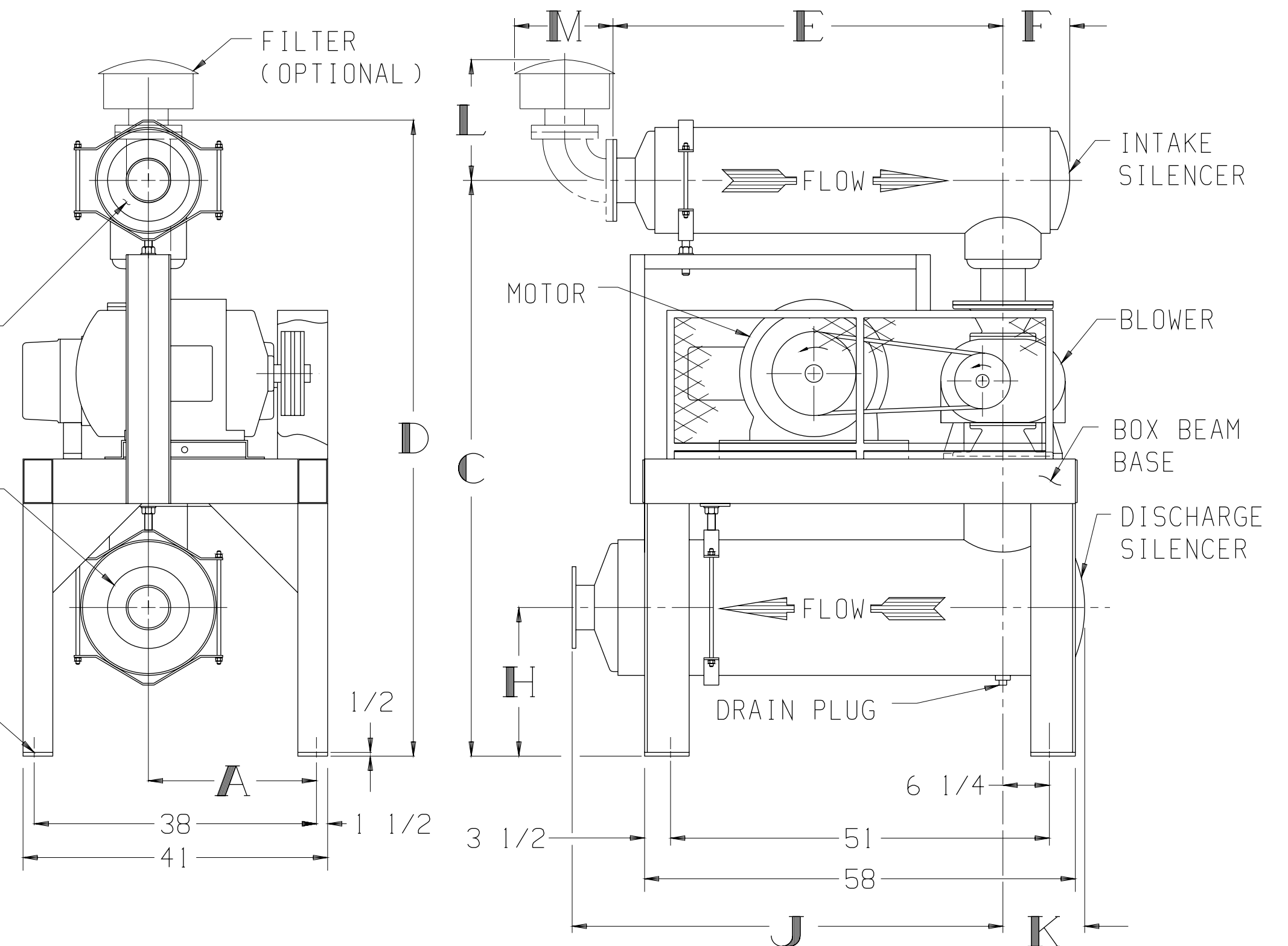
BLOWER	DISCHARGE SILENCER ²	G	H	J	K
5514	17326-Axxxx	4 FLG	26	42	8
	17326-Axxxx	5 FLG	24	53 ¹ / ₂	9
	17301-060	6 FLG	20	58	11
5516 & 5518	17326-Axxxx	6 FLG	20	58	10
	17301-080	8 FLG	16	64	30

MOTOR W/SLIDE BASE 1800 RPM, 230/460 V, 3 PH, 60 HZ		
HP	FRAME	TYPE
40	324T	ODP
50	326T	TEFC
60	364T	TEXP
75	365T	SEVERE DUTY TEFC
		SEVERE DUTY TEXP

¹ B FLAT FACED FLG
125/150 LB ANSI
DRILLING

¹ G FLAT FACED FLG
125/150 LB ANSI
DRILLING

∅ 13/16
4 HOLES



NOTE:

¹ CONNECTION SIZES SHOWN IN TABLES ABOVE ARE STANDARD CONNECTIONS. WHEN REQUESTED, CONNECTIONS OTHER THAN STANDARD CAN BE SUPPLIED. IF SO, THEY ARE _____ INLET & _____ OUTLET CONNECTIONS.

² AN "X" IN A PART NUMBER INDICATES NEEDED INFORMATION FOR A COMPLETE PART NUMBER

³ MOTORS FOR 67 SERIES BLOWERS ARE LIMITED TO 50 HORSEPOWER MAXIMUM.

THIS OUTLINE APPLIES TO THE BLOWERS & MOTORS SHOWN IN TABLES

APPROXIMATE WEIGHT

BASE, DRIVE & GUARD-	700	LBS
BLOWER	-	LBS
MOTOR & S.B.	-	LBS
SILENCERS	-	LBS
FILTER	-	LBS
TOTAL WEIGHT	-	LBS

Tuthill 800.825.6937

BASE MOUNTED OUTLINE B5500VV3A

SIZE:
C2

DR SY 9-15-88

CH CM 9-19-88