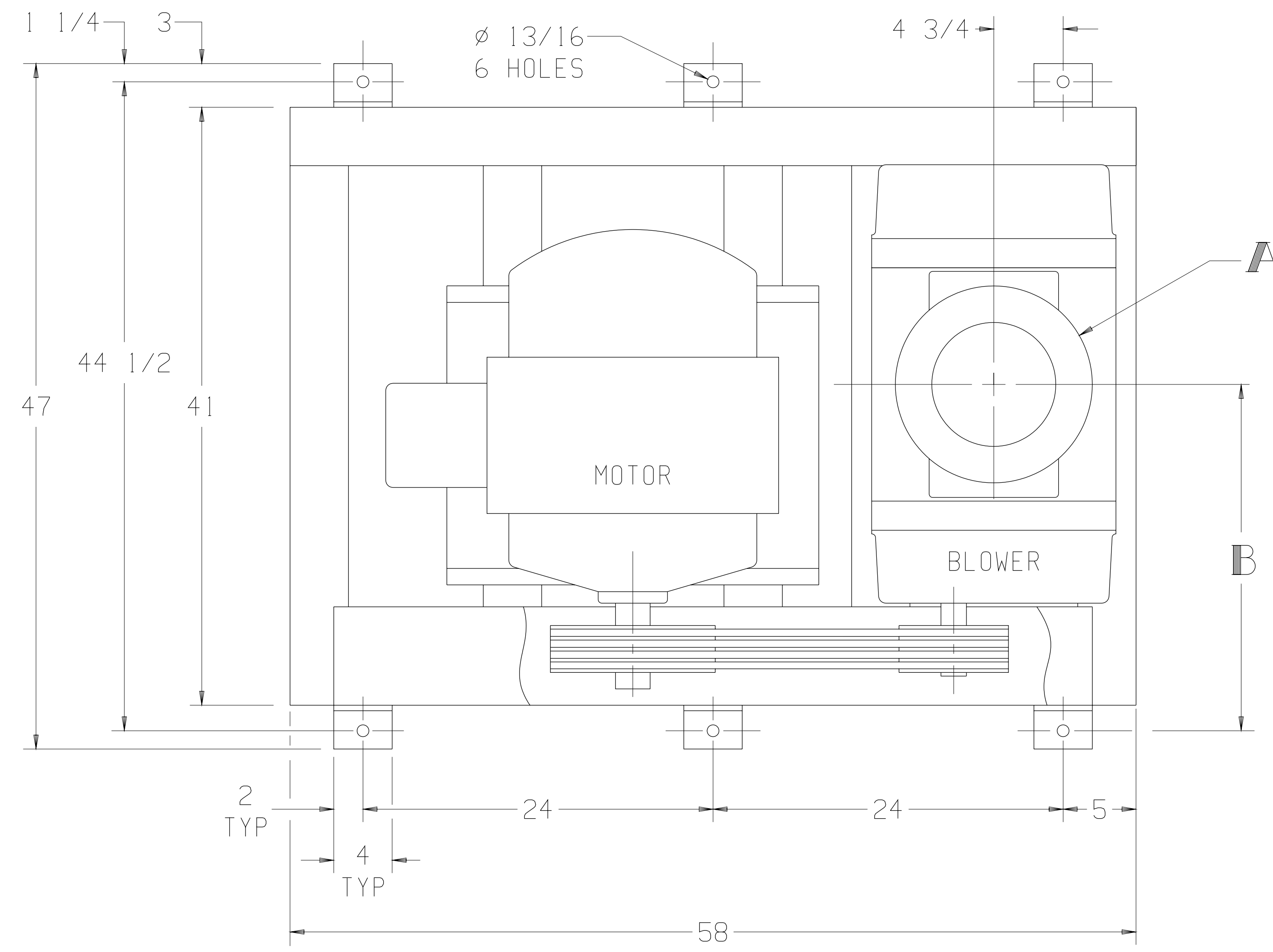


LTR	REVISION	DATE	DR	CH
B	REDRAWN PER ECN 1143	9-18-89	LM	LB
C	ADDED 67 SERIES & DIMENSIONS AND CHANGED WHERE DIM "B" WAS LOCATED FROM (ECN 2118)	6-24-93	CM	SY
D	REMOVED 47 SERIES (ECN 4739)	7-19-06	CM	CM

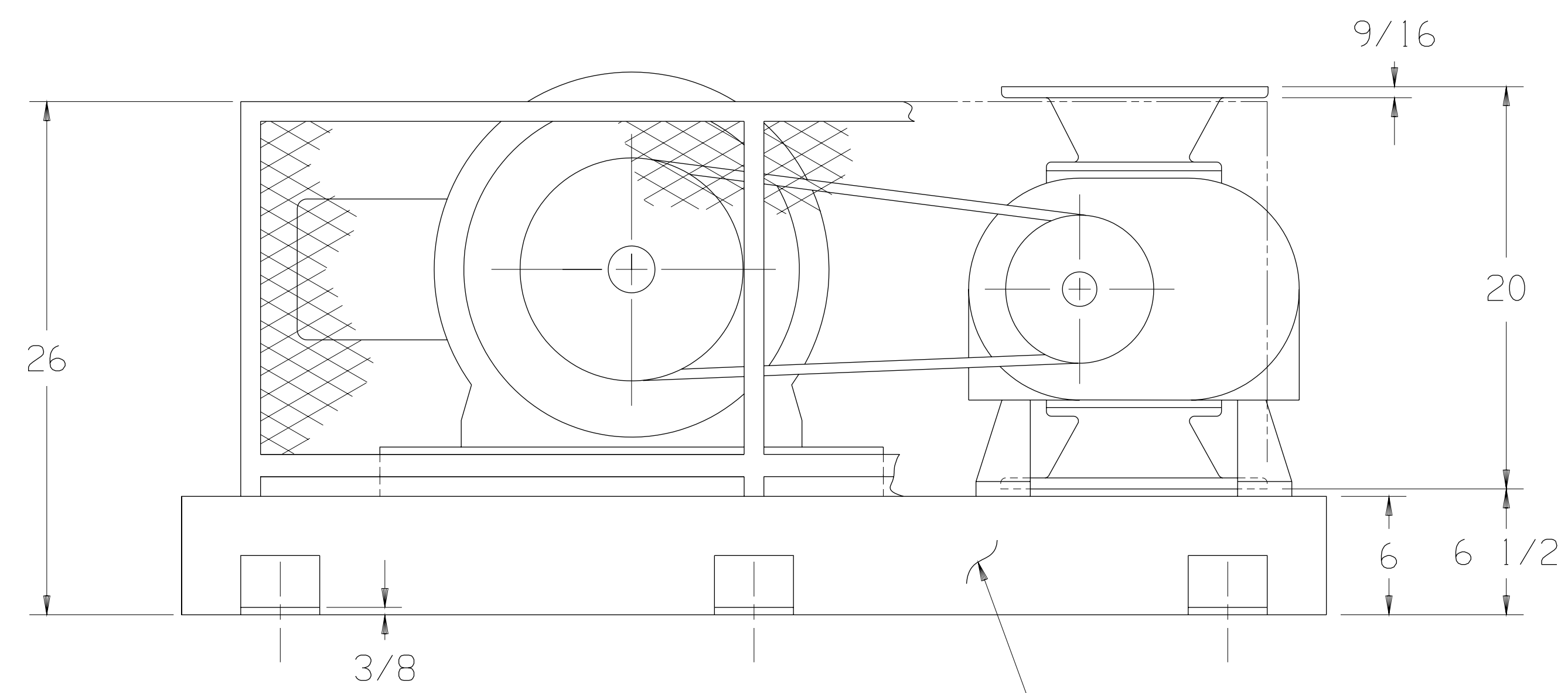


A FLAT FACE FLANGE
125/150 LB ANSI
DRILLING INLET
& OUTLET

MOTOR W/SLIDE BASE 1800 RPM, 230/460 V, 3 PH, 60 HZ		
HP	FRAME	TYPE
40	324T	ODP
50	326T	TEFC
60	364T	TEXP
75	365T	SEVERE DUTY TEFC
		SEVERE DUTY TEXP

BLOWER	A	B
5514-46/81	6 FLG	23 ⁷ / ₈
5516-46/81	8 FLG	24 ⁷ / ₈
5518-46/81	8 FLG	25 ⁷ / ₈
5514-67 ¹	6 FLG	24 ⁵ / ₈
5516-67 ¹	8 FLG	25 ⁵ / ₈
5518-67 ¹	8 FLG	26 ⁵ / ₈

APPROXIMATE WEIGHT
 BASE, DRIVE & GUARD- 470 LBS
 BLOWER - ___ LBS
 MOTOR & SLIDE BASE - ___ LBS
 TOTAL WEIGHT - ___ LBS



NOTE:
¹ MOTORS FOR 67 SERIES BLOWERS ARE LIMITED TO 50 HORSEPOWER MAXIMUM.
 THIS OUTLINE APPLIES TO THE BLOWERS & MOTORS SHOWN IN TABLES

Tuthill 800.825.6937
 BASE MOUNTED OUTLINE B5500VV3

SIZE: C2

DR LM 5-26-89 CH LB 6-1-89