

BLOWER	INTAKE SILENCER [△]	B	C	D	E	F
5507	17300-030	3 NPT	66½	71	29	7
	17300-F40	4 FLG	68	73¾	35	7½
5509 & 5511	17300-030	3 NPT	66¼	71	29	7
	17300-F40	4 FLG	67	72¾	35	7½
5511	17300-F50	5 FLG	68¾	75¾	46	9
5511	17300-060	6 FLG	69¾	78	52½	9

BLOWER	DISCHARGE SILENCER [△]	G	H	J	K
5507	17301-030	3 NPT	15	36	7
	17301-F40	4 FLG	12½	42	8
5509 & 5511	17301-030	3 NPT	15¼	36	7
	17301-F40	4 FLG	13	42	8
5511	17301-F50	5 FLG	11¾	53½	9
5511	17301-060	6 FLG	11¾	58	9¾

MOTOR W/SLIDE BASE 1800 RPM, 230/460 V, 3 PH, 60 HZ		
HP	FRAME	TYPE
40	324T	ODP
50	326T	TEFC
60	364T	TEXP
75	365T	SEVERE DUTY TEFC
		SEVERE DUTY TEXP

NOTE:

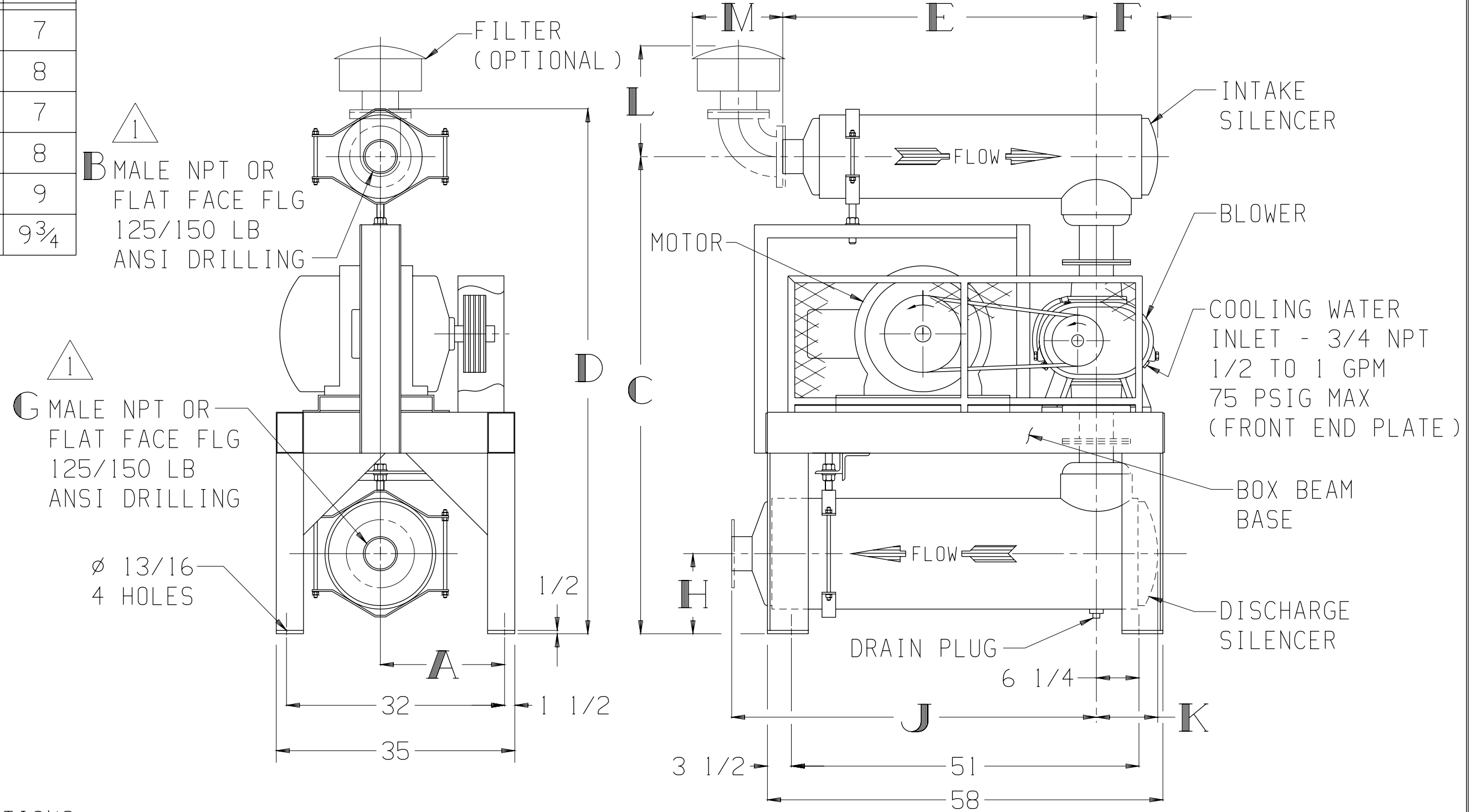
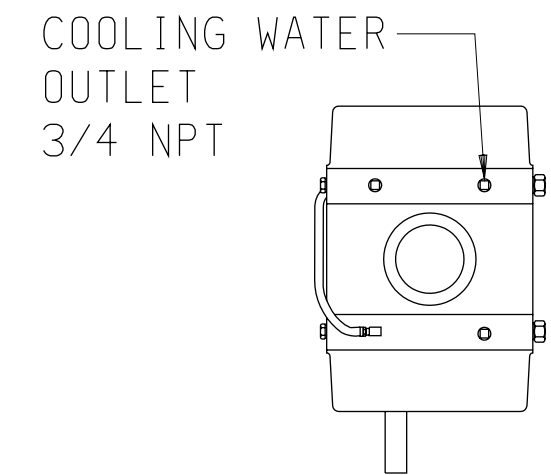
[△] CONNECTION SIZES SHOWN IN TABLES ABOVE ARE STANDARD CONNECTIONS. WHEN REQUESTED, CONNECTIONS OTHER THAN STANDARD CAN BE SUPPLIED. IF SO, THEY ARE _____ INLET & _____ OUTLET CONNECTIONS.

[△] AN "X" IN A PART NUMBER INDICATES NEEDED INFORMATION FOR A COMPLETE PART NUMBER

THIS OUTLINE APPLIES TO THE BLOWERS & MOTORS SHOWN IN TABLES

BLOWER	A
5507-46E/81E	17½
5509-46E/81E	18¼
5511-46E/81E	19¼

FILTER (OPTIONAL) [△]	L	M
26512-030X	11 ⁹ / ₁₆	8 ¹³ / ₁₆
26512-F40X	17 ¹ / ₁₆	13 ⁵ / ₁₆
26512-F50X	18 ¹ / ₁₆	14 ⁵ / ₁₆
26512-060X	21 ³ / ₈	17 ¹ / ₁₆



APPROXIMATE WEIGHT

BASE, DRIVE & GUARD-	660	LBS
BLOWER	-	___
MOTOR & S.B.	-	___
SILENCERS	-	___
FILTER	-	___
TOTAL WEIGHT	-	___

Tuthill 800.825.6937

BASE MOUNTED OUTLINE B5500VV2A-E

SIZE:
C2

DR BD 11-11-93

CH LB 11-11-93