

LTR	REVISION	DATE	DR	CH
C	SILENCERS WERE 29551 & 29552 (ECN 4739)	7-18-06	CM	CM

BLOWER	DISCHARGE SILENCER ²	C	D	E	F
5507	17301-030	3 NPT	15	36	7
	17301-F40	4 FLG	12 1/2	42	8
5509 & 5511	17301-030	3 NPT	15 1/4	36	7
	17301-F40	4 FLG	13	42	8
5511	17301-F50	5 FLG	11 3/4	53 1/2	9
	17301-060	6 FLG	11 3/4	58	9 3/4

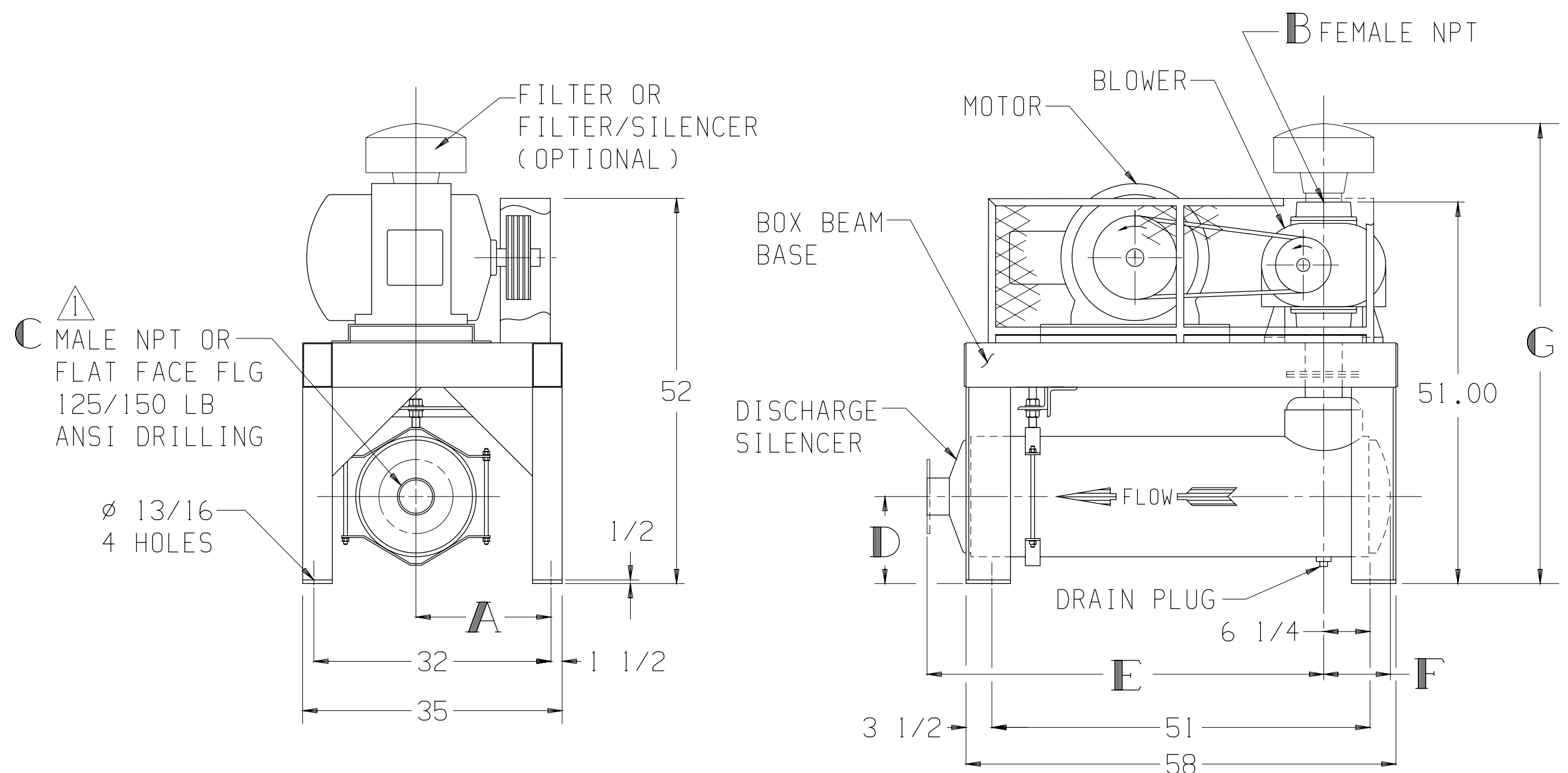
BLOWER	A	B
5507-46/81	17 1/2	4 NPT
5509-46/81	18 1/4	5 NPT
5511-46/81	19 1/4	5 NPT

BLOWER	FILTER (OPTIONAL) ²	G	FILTER/SILENCER (OPTIONAL) ²	G
5507	26512-030X	59 3/4	26312-030	69 15/16
	26512-T40X	59 1/4	26312-T40	69 5/16
5509 & 5511	26512-030X	59 5/8	26312-030	69 13/16
	26512-T40X	59 3/4	26312-T40	69 13/16
5511	26512-T50X	59 7/8	26312-T50	69 3/4
	26512-060X	66 5/16	26312-060	78 1/4

MOTOR W/SLIDE BASE 1800 RPM, 230/460 V, 3 PH, 60 HZ		
HP	FRAME	TYPE
40	324T	ODP
50	326T	TEFC
60	364T	TEXP
75	365T	SEVERE DUTY TEFC
		SEVERE DUTY TEXP

APPROXIMATE WEIGHT

BASE, DRIVE & GUARD-	580	LBS
BLOWER	-	LBS
MOTOR & S.B.	-	LBS
SILENCERS	-	LBS
FILTER	-	LBS
TOTAL WEIGHT	-	LBS



NOTE:

¹ CONNECTION SIZE SHOWN IN TABLE ABOVE IS A STANDARD CONNECTION. WHEN REQUESTED, CONNECTION OTHER THAN STANDARD CAN BE SUPPLIED. IF SO, IT IS A _____ OUTLET CONNECTION.

² AN "X" IN A PART NUMBER INDICATES NEEDED INFORMATION FOR A COMPLETE PART NUMBER

THIS OUTLINE APPLIES TO THE BLOWERS AND MOTORS SHOWN IN TABLES

Tuthill 800.825.6937

BASE MOUNTED OUTLINE B5500VV2A-DS

SIZE:
C2

DR LM 10-21-89

CH LB 10-23-89