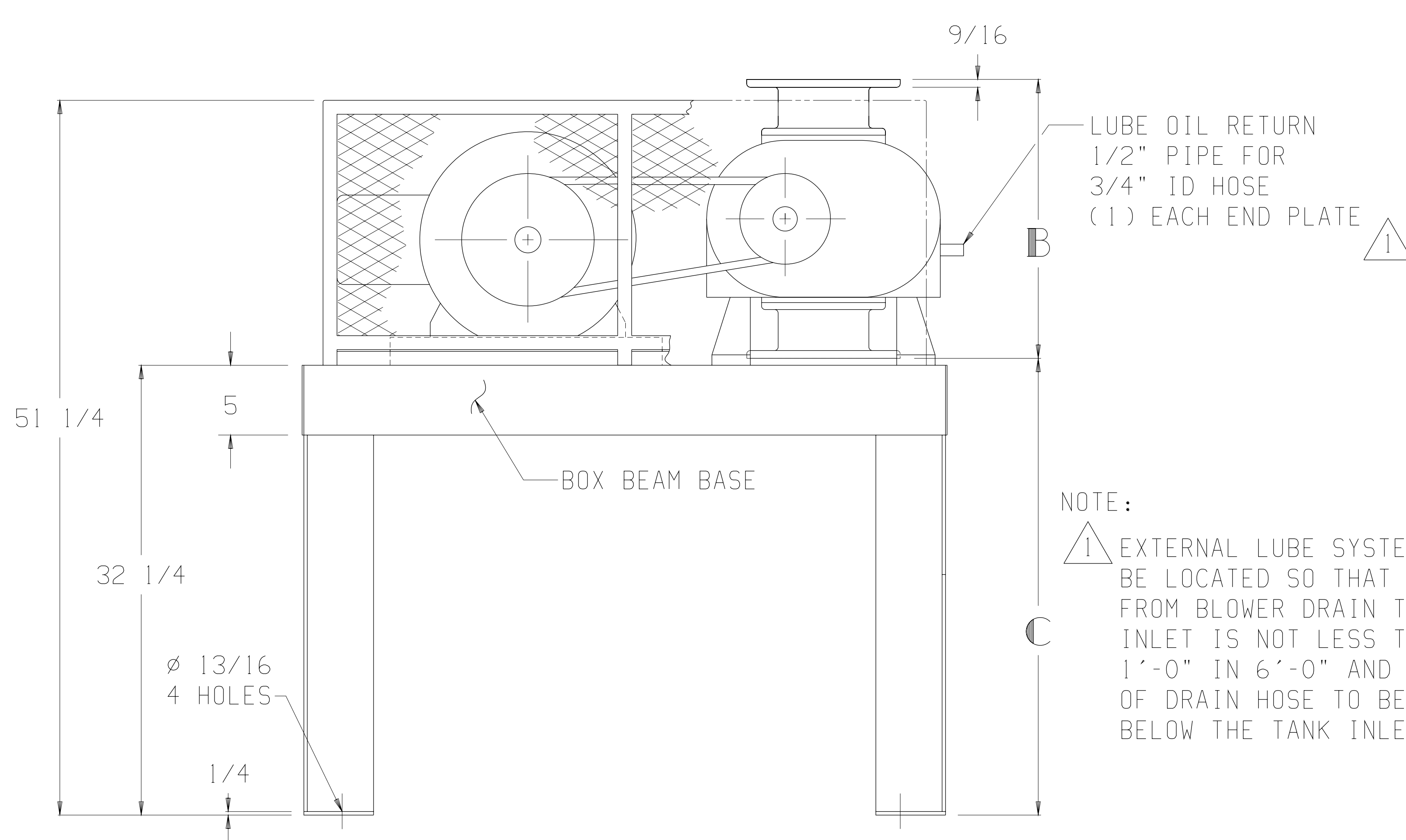


BLOWER	A	B	C	D
5507-84/85	4 NPT	17	34 1/4	16
5509-84/85	5 NPT	17	34 1/4	16 3/4
5511-84/85	5 NPT	17	34 1/4	17 3/4
5514-84/85	6 FLG	20	32 3/4	19 1/4

MOTOR W/SLIDE BASE 1800 RPM, 230/460 V, 3 PH, 60 HZ		
HP	FRAME	TYPE
15	254T	ODP
20	256T	TEFC
25	284T	TEXP
30	286T	SEVERE DUTY TEFC
		SEVERE DUTY TEXP



LUBE OIL RETURN  
1/2" PIPE FOR  
3/4" ID HOSE  
(1) EACH END PLATE 1

NOTE:  
1 EXTERNAL LUBE SYSTEM MUST BE LOCATED SO THAT SLOPE FROM BLOWER DRAIN TO TANK INLET IS NOT LESS THAN 1'-0" IN 6'-0" AND NO PART OF DRAIN HOSE TO BE BELOW THE TANK INLET.

APPROXIMATE WEIGHT

BASE, DRIVE & GUARD	-	367	LBS
BLOWER	-	___	LBS
MOTOR & SLIDE BASE	-	___	LBS
<hr/>			
TOTAL WEIGHT	-	___	LBS

THIS OUTLINE APPLIES TO THE BLOWERS & MOTORS SHOWN IN TABLES

800.825.6937

BASE MOUNTED OUTLINE B5500VV1L-L

SIZE:	
C2	
DR <u>BD 8-18-93</u>	CH <u>CM 8-20-93</u>