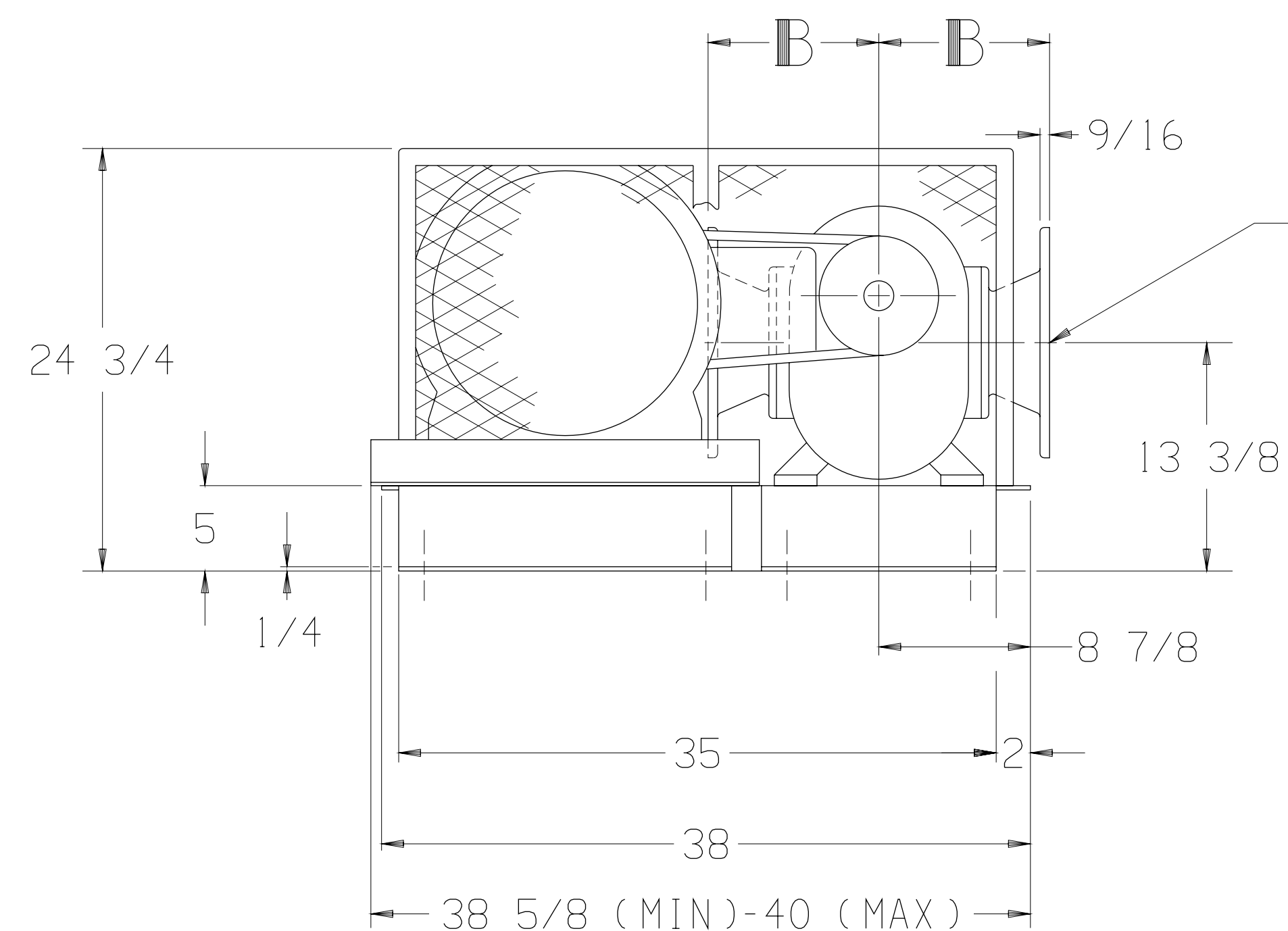
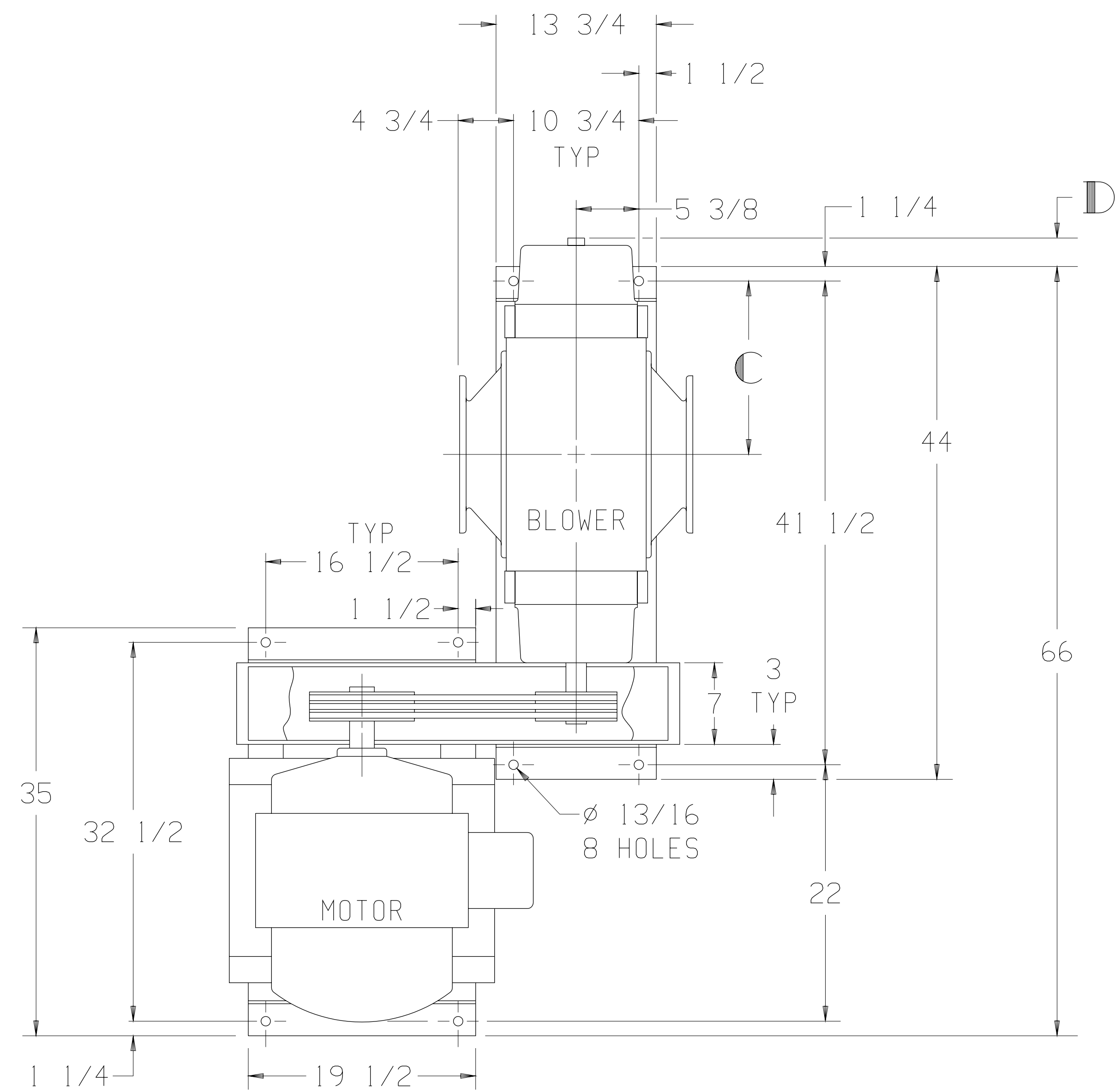


| LTR | REVISION | DATE | DR | CH |
|-----|------------------------------|---------|----|----|
| C | REDRAWN PER ECN 1143 | 9-20-89 | LM | LB |
| D | REMOVED 16 SERIES (ECN 4739) | 7-19-06 | CM | CM |



A FEMALE NPT OR FLAT FACED FLANGE
125/150 LB ANSI DRILLING
INLET & OUTLET

APPROXIMATE WEIGHT

| | | |
|-----------------------|-----|-----|
| BASE, DRIVE, & GUARD- | 209 | LBS |
| BLOWER | - | ___ |
| MOTOR & SLIDE BASE | - | ___ |
| TOTAL WEIGHT | - | ___ |

| BLOWER | A | B | C | D |
|------------|-------|-------|--------|--------|
| 5507-17/57 | 4 NPT | 8 1/2 | 21 1/8 | --- |
| 5509-17/57 | 5 NPT | 8 1/2 | 20 3/8 | --- |
| 5511-17/57 | 5 NPT | 8 1/2 | 19 3/8 | --- |
| 5514-17/57 | 6 FLG | 10 | 17 7/8 | --- |
| 5516-17/57 | 8 FLG | 10 | 16 7/8 | --- |
| 5518-17/57 | 8 FLG | 10 | 15 7/8 | 7/16 |
| 5520-17/57 | 8 FLG | 10 | 14 7/8 | 2 7/16 |

MOTOR W/SLIDE BASE
1800 RPM, 230/460 V, 3 PH, 60 HZ

| HP | FRAME | TYPE |
|----|-------|------------------|
| 40 | 324T | ODP |
| 50 | 326T | TEFC |
| 60 | 364T | TEXP |
| | | SEVERE DUTY TEFC |
| | | SEVERE DUTY TEXP |

THIS OUTLINE APPLIES TO THE BLOWERS AND MOTORS SHOWN IN TABLES

Tuthill 800.825.6937

BASE MOUNTED OUTLINE B5500HV2

SIZE:
C2

DR LM 7-31-89

CH LB 8-22-89