

LTR	REVISION	DATE	DR	CH
B	SILENCERS WERE 29551 & 29552 (ECN 4767)	7-28-06	CM	CM

BLOWER	INTAKE SILENCER	B	C	D	E	F
4006 & 4009	17300-025	2 1/2 NPT	56 7/8	61 7/16	23	7
	17300-030	3 NPT	57 5/16	61 7/8	29	7
4012	17300-025	2 1/2 NPT	57	61 9/16	23	7
	17300-030	3 NPT	56 15/16	61 1/2	29	7
	17300-F40	4 FLG	58 11/16	64 7/16	35	7 1/2

BLOWER	A
4006-84/85	14 7/16
4009-84/85	15 15/16
4012-84/85	17 7/16

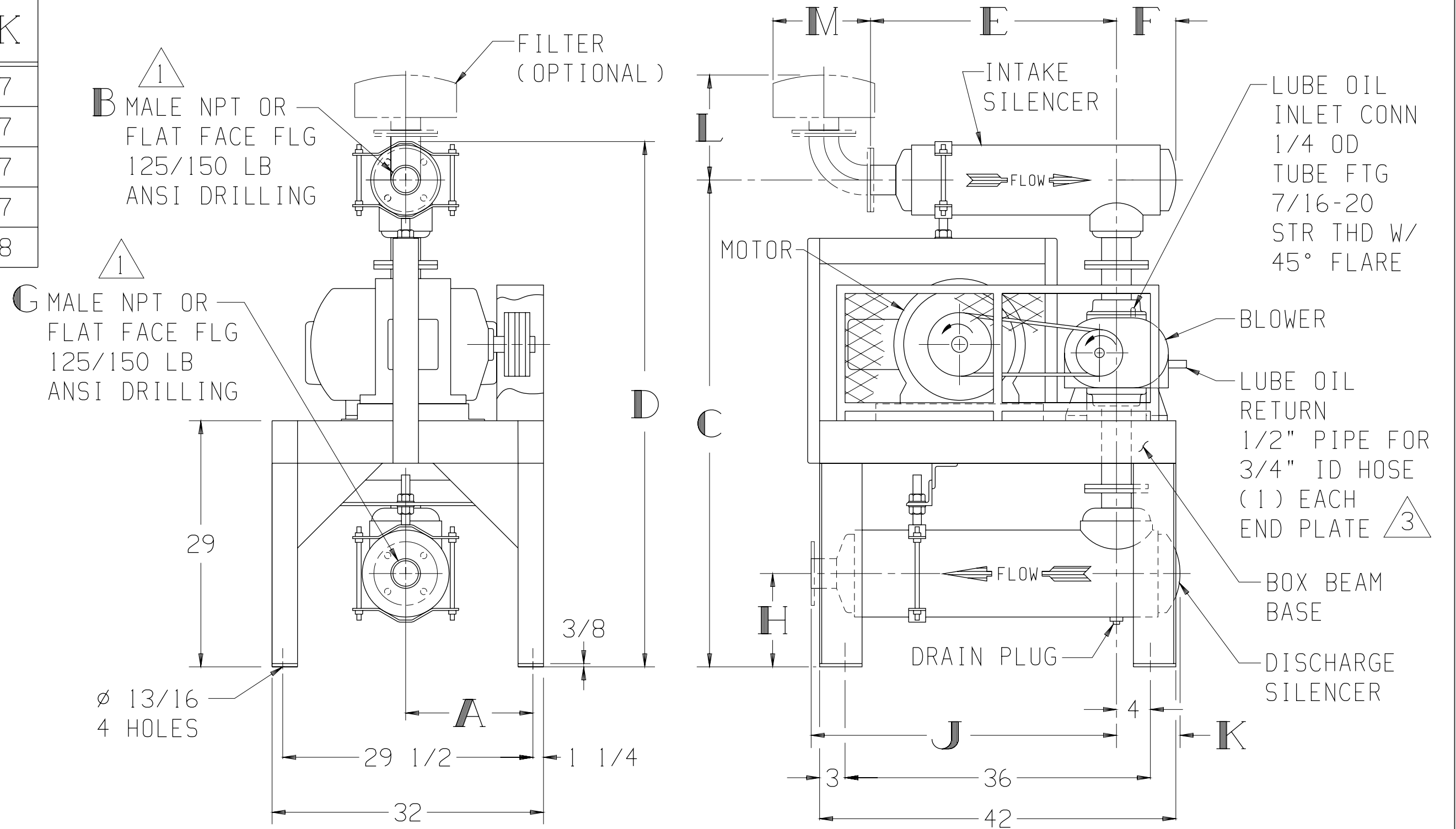
FILTER (OPTIONAL)	L	M
26512-025X	10 13/16	8 1/2
26512-030X	11 9/16	8 13/16
26512-F40X	17 1/16	13 5/16

BLOWER	DISCHARGE SILENCER	G	H	J	K
4006 & 4009	17301-025	2 1/2 NPT	11 1/8	24	7
	17301-030	3 NPT	11 11/16	36	7
4012	17301-025	2 1/2 NPT	11	24	7
	17301-030	3 NPT	11 1/16	36	7
	17301-F40	4 FLG	9	42	8

MOTOR W/SLIDE BASE 1800 RPM, 230/460 V, 3 PH, 60 HZ		
HP	FRAME	TYPE
15	254T	ODP
20	256T	TEFC
25	284T	TEXP
30	286T	SEVERE DUTY TEFC
		SEVERE DUTY TEXP

THIS OUTLINE APPLIES TO THE BLOWERS AND MOTORS SHOWN IN TABLES

- NOTE:
- 1 CONNECTION SIZES SHOWN IN TABLES ABOVE ARE STANDARD CONNECTIONS. WHEN REQUESTED, CONNECTIONS OTHER THAN STANDARD CAN BE SUPPLIED. IF SO, THEY ARE _____ INLET & _____ OUTLET CONNECTIONS.
 - 2 AN "X" IN A PART NUMBER INDICATES NEEDED INFORMATION FOR A COMPLETE PART NUMBER
 - 3 EXTERNAL LUBE SYSTEM MUST BE LOCATED SO THAT SLOPE FROM BLOWER DRAIN TO TANK INLET IS NOT LESS THAN 1'-0" IN 6'-0".



APPROXIMATE WEIGHT

BASE, DRIVE, & GUARD-	330	LBS
BLOWER	-	LBS
MOTOR & SLIDE BASE	-	LBS
SILENCERS	-	LBS
FILTER	-	LBS
TOTAL WEIGHT	-	LBS

Tuthill 800.825.6937

BASE MOUNTED OUTLINE B4000VV2A-L

SIZE: C2

DR CM 5-28-93 CH BD 5-28-93