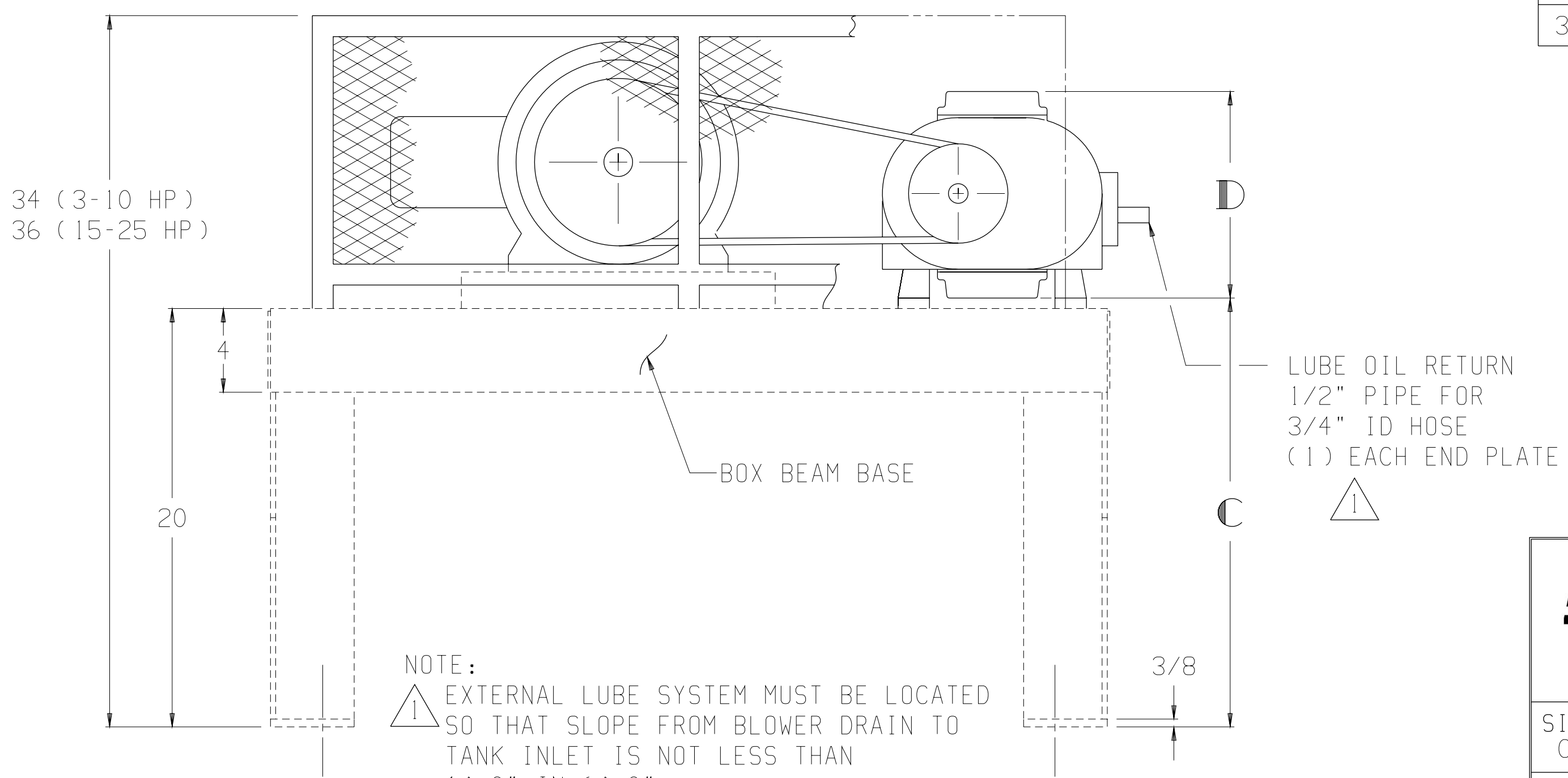


MOTOR W/SLIDE BASE 1800 RPM, 230/460 V, 3 PH, 60 HZ		
HP	FRAME	TYPE
3	182T	ODP
5	184T	TEFC
7½	213T	TEXP
10	215T	SEVERE DUTY TEFC
15	254T	SEVERE DUTY TEXP
20	256T	
25	284T	

BLOWER	A	B	C	D
3206-84/85	2½ NPT	12 9/16	20½	10
3210-84/85	3 NPT	10 9/16	20	11

APPROXIMATE WEIGHT
 BASE, DRIVE, & GUARD- 256 LBS
 BLOWER - ___ LBS
 MOTOR & SLIDE BASE - ___ LBS
 TOTAL WEIGHT - ___ LBS



THIS OUTLINE APPLIES TO THE BLOWERS & MOTORS SHOWN IN TABLES

Tuthill 800.825.6937

BASE MOUNTED OUTLINE B3200VV2L-L

SIZE: C2

DR RA 9-27-88 CH CM 9-28-88