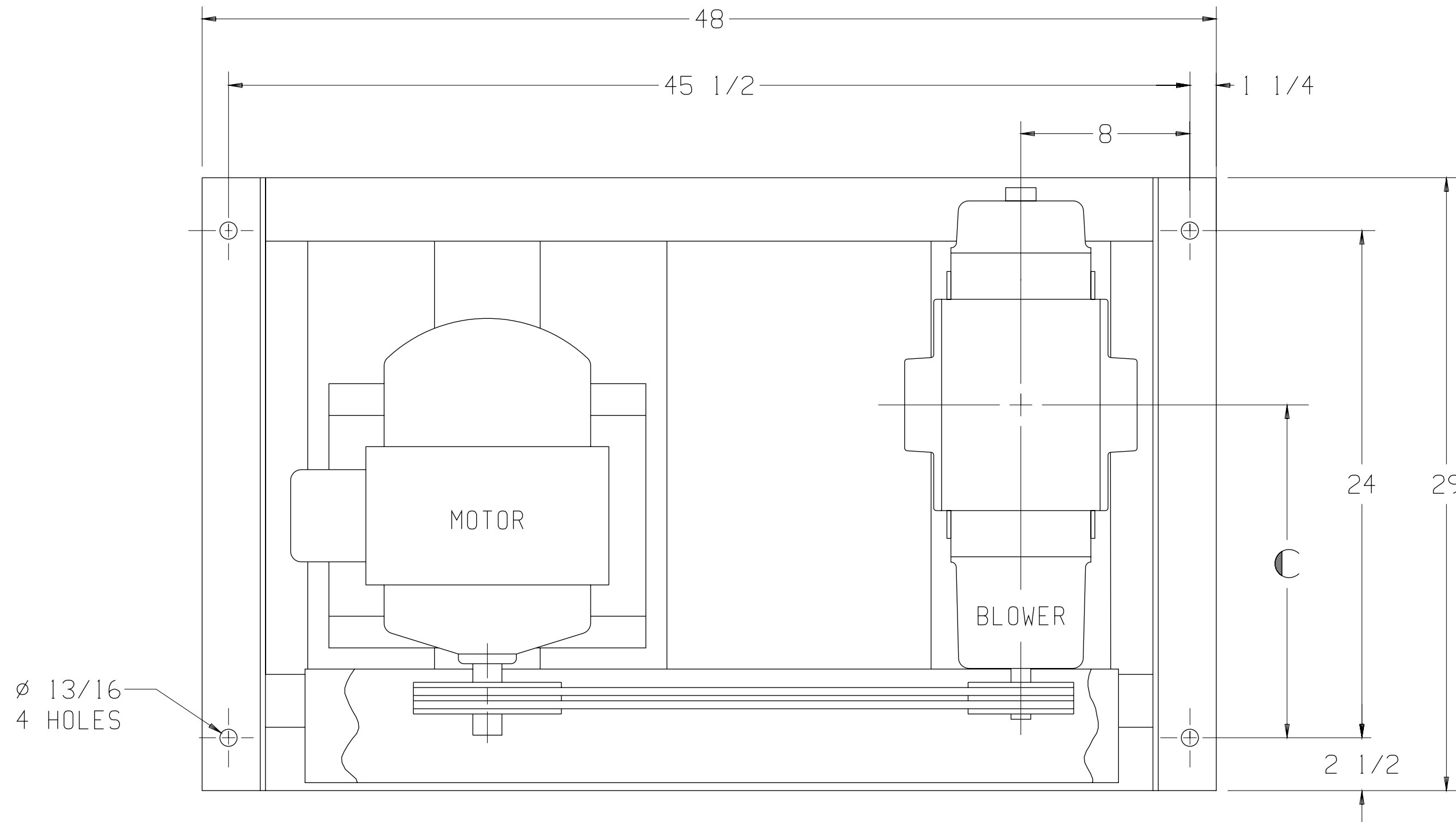
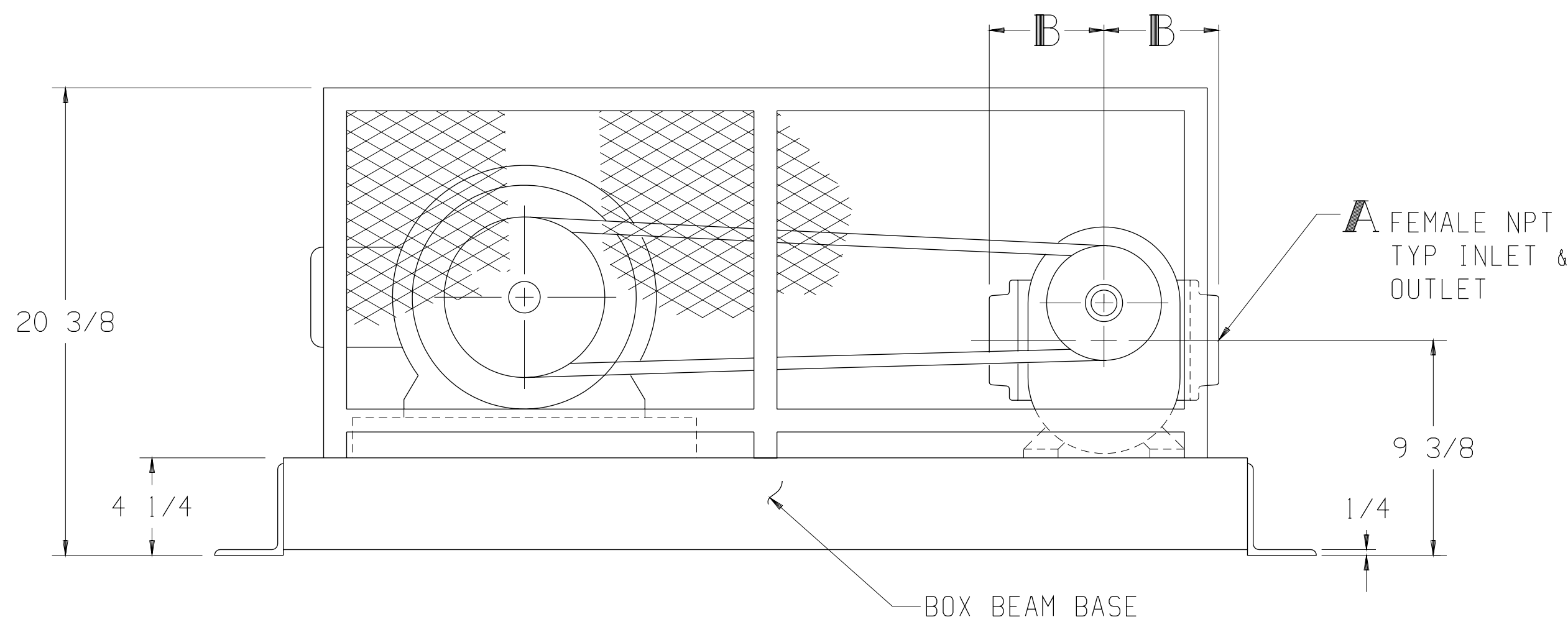


| LTR | REVISION | DATE | DR | CH |
|-----|------------------------------|---------|----|----|
| B | REMOVED 16 SERIES (ECN 4767) | 7-24-06 | CM | CM |



| BLOWER | A | B | C |
|---------------|-----------|-------|--------|
| 3206-17/57/64 | 2 1/2 NPT | 5 | 13 3/4 |
| 3210-17/57/64 | 3 NPT | 5 1/2 | 15 3/4 |

| MOTOR-W/SLIDE BASE 1800 RPM, 230/460 V, 3 PH, 60 HZ | | |
|--|-------|---------------------|
| HP | FRAME | TYPE |
| 3 | 182T | ODP |
| 5 | 184T | TEFC |
| 7 1/2 | 213T | TEXP |
| 10 | 215T | SEVERE DUTY TEFC |
| 15 | 254T | SEVERE DUTY TEXP |
| 20 | 256T | |



APPROXIMATE WEIGHT

| | |
|-----------------------|------------------|
| BASE, DRIVE, & GUARD- | 225 LBS |
| BLOWER | - ___ LBS |
| MOTOR & SLIDE BASE | - ___ LBS |
| TOTAL WEIGHT | - ___ LBS |

Tuthill 800.825.6937

BASE MOUNTED OUTLINE B3200HV3

SIZE:
C2

DR CM 3-29-90

CH LB 4-3-90

THIS OUTLINE APPLIES TO THE BLOWERS
AND MOTORS SHOWN IN TABLES