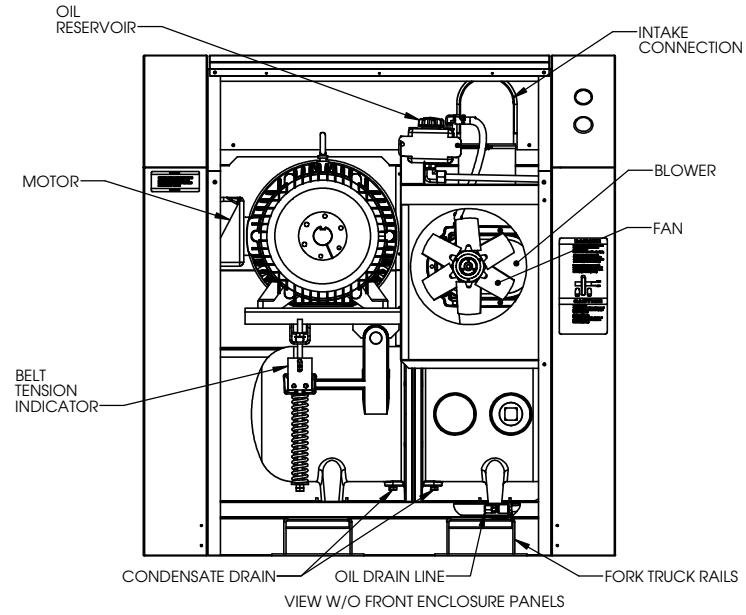
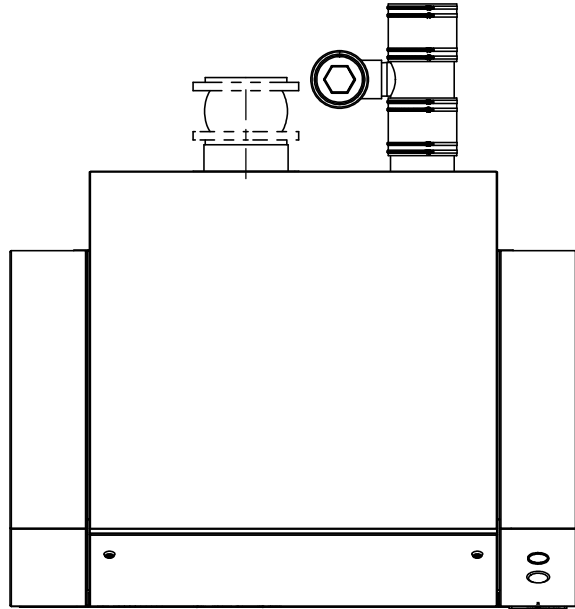
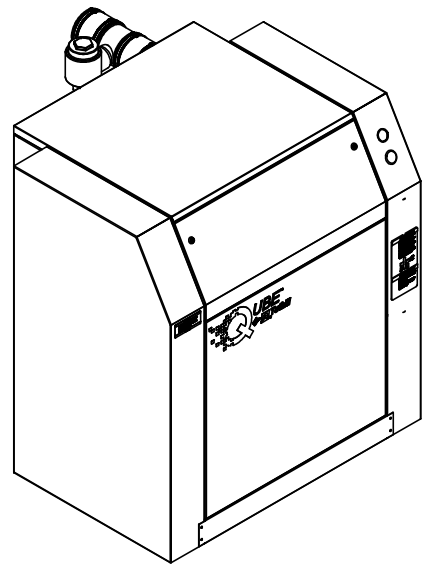
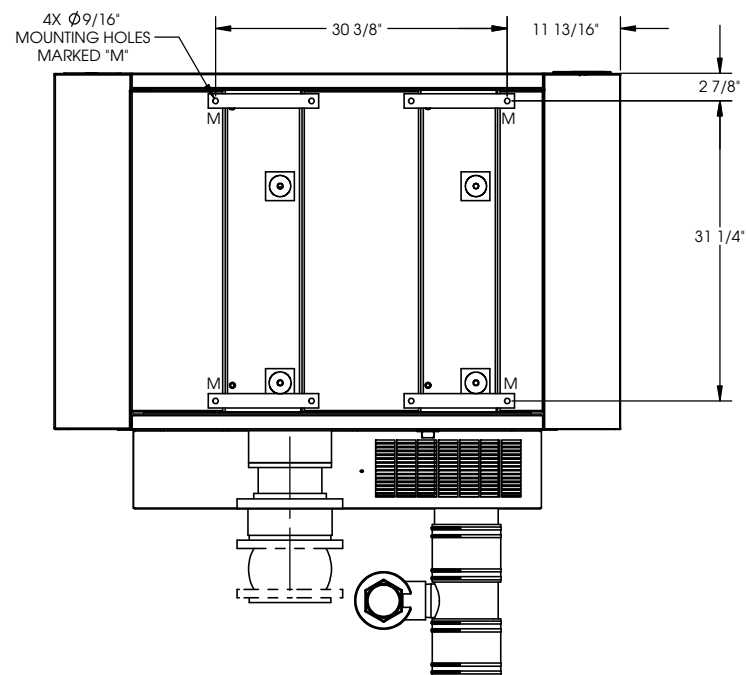
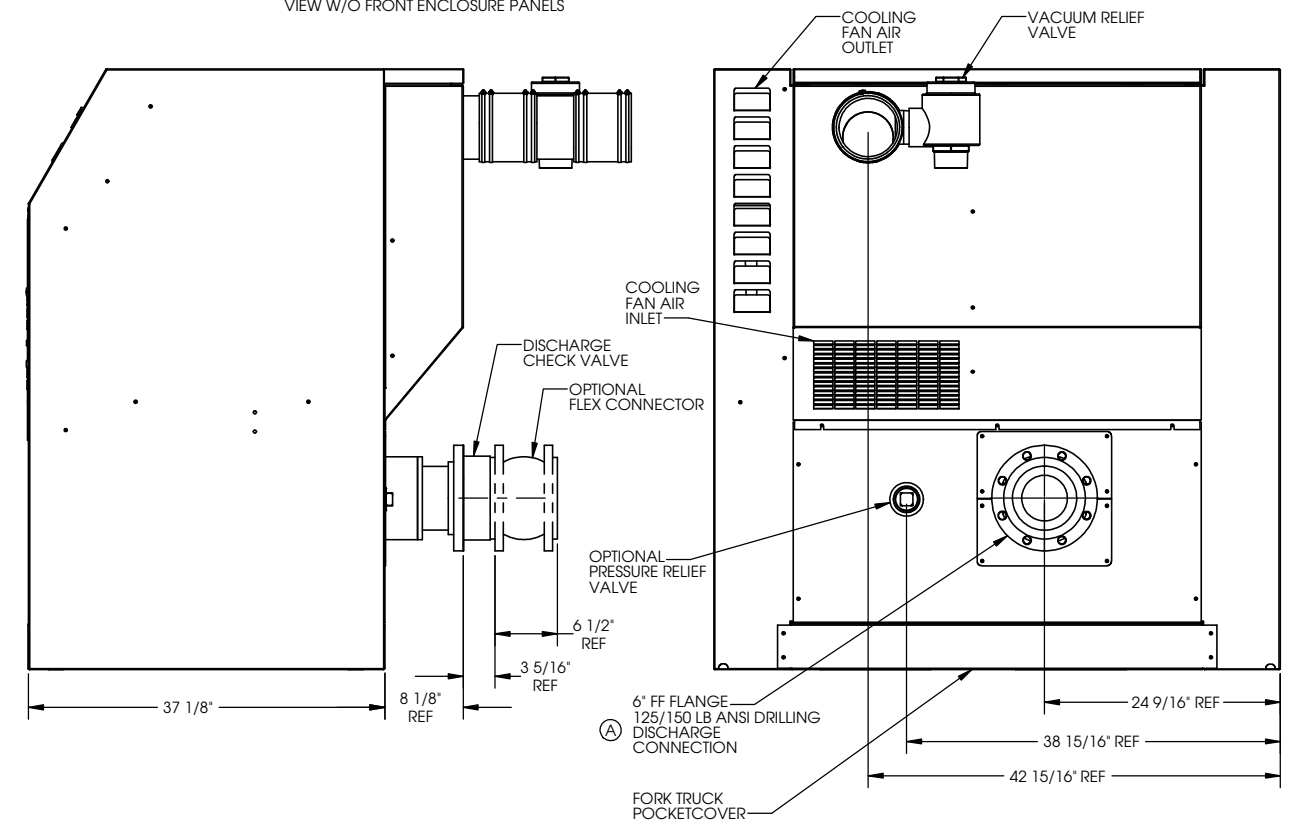
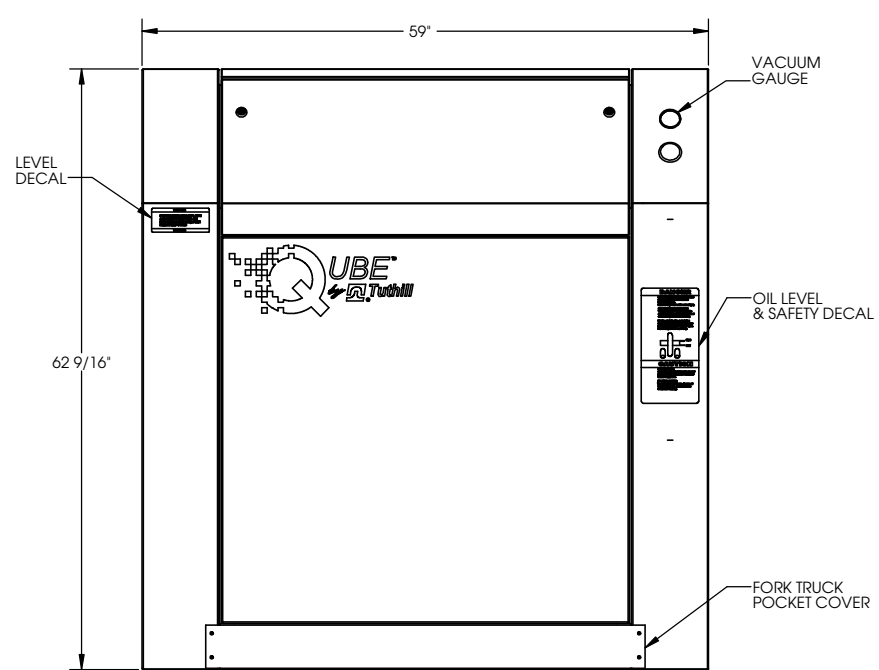
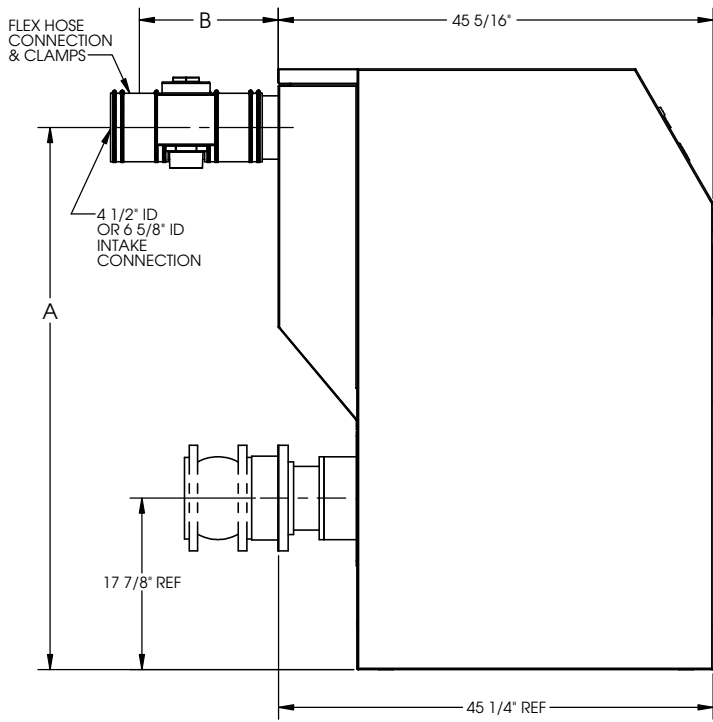


REV.	DESCRIPTION	DATE	BY	CHK.
A	ADD 4" PIPE DISCHARGE CONNECTION, ADD 40 HP & FLEX DOWN (BCH 8494)	3/24/09	CWM	BP
B	ADD 6" & 30 HP MOTORS (BCH 8596)	7/23/09	CWM	BP



BLOWER
4606
4610

MOTOR, 1800 RPM 230/460V, 3PH, 60HZ		
HP	FRAME	TYPE
25	284T	ODP
30	286T	TEFC
40	324T	
50	326T	
60	364T	
75	365T	



INTAKE CONNECTIONS					
BLOWER	PIPE SIZE	PIPE OD	VRV SIZE	A	B
4606	4"	4 1/2"	2 1/2"	55 3/8"	12 3/4"
4610	6"	6 5/8"	3"	56 7/16"	14 1/2"

STANDARD PACKAGE COLOR: TUTHILL BLUE

TOLERANCES PLUS/MINUS
 XX = .01
 XXX = .005
 XXXX = .0005
 ANGULAR = 1/2 DEG
 FRACTIONAL = 2 DEG
 CHAMFERS = 2 DEG

BREAK ALL SHARP EDGES AND CORNERS

Tuthill 800.825.6937

TITLE: **QUBE 800V OUTLINE**

SIZE: D DWG. NO.: B REV: B

FIRST USED ON: QUBE 800 DN: CWM DATE: 4/8/08 CK: - DATE: - SCALE: 1:1 WEIGHT: SHEET 1 OF 1