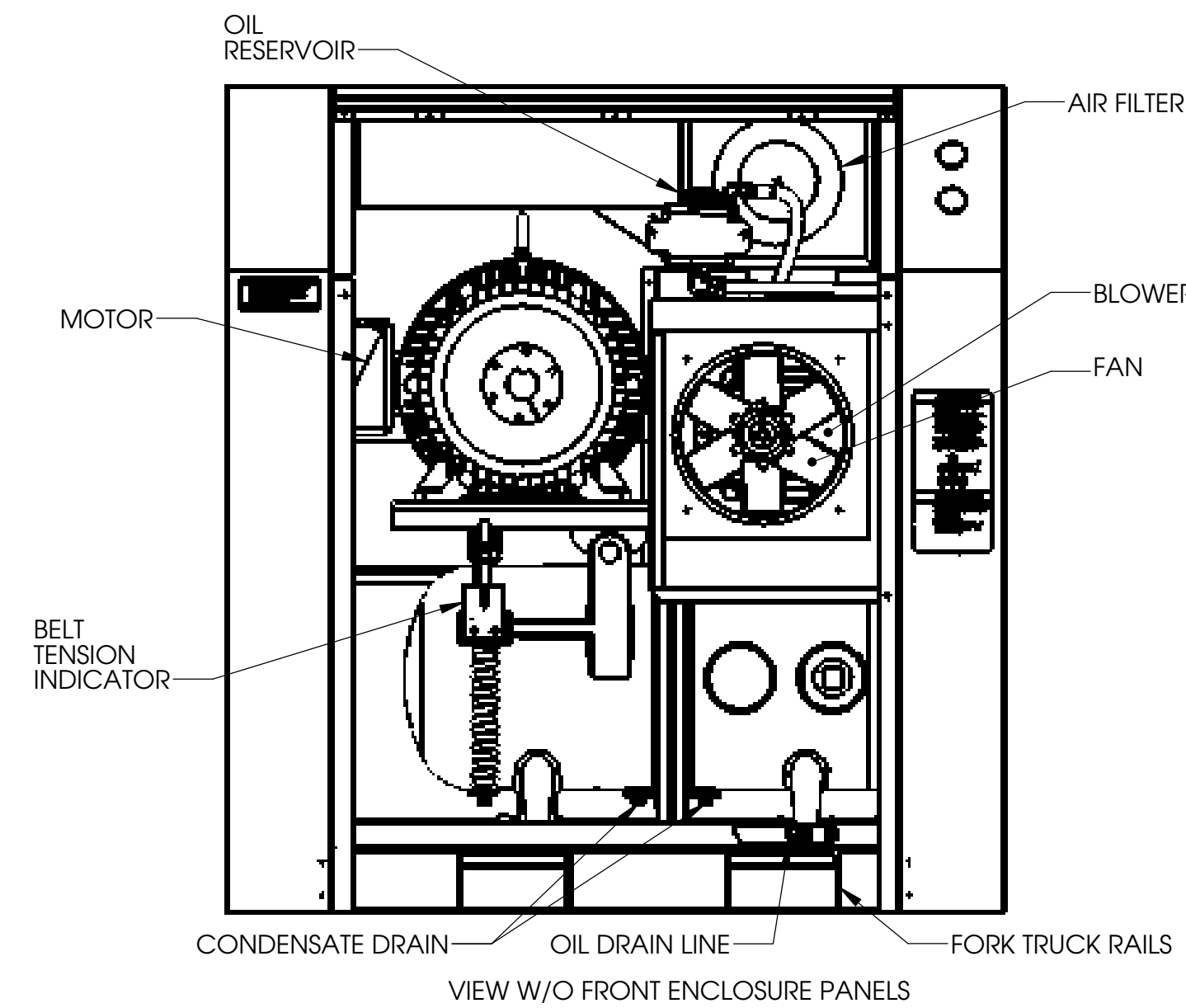
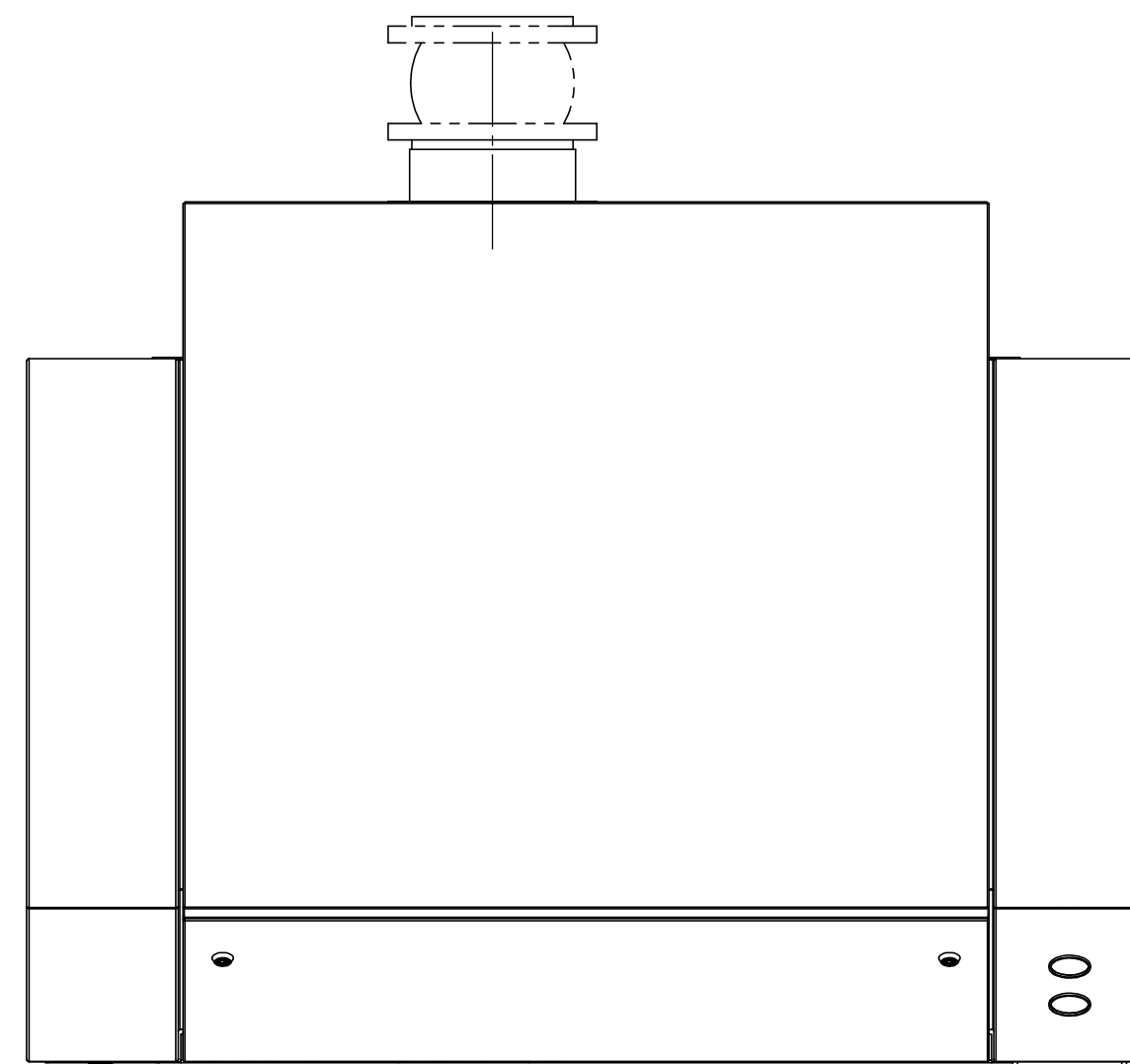
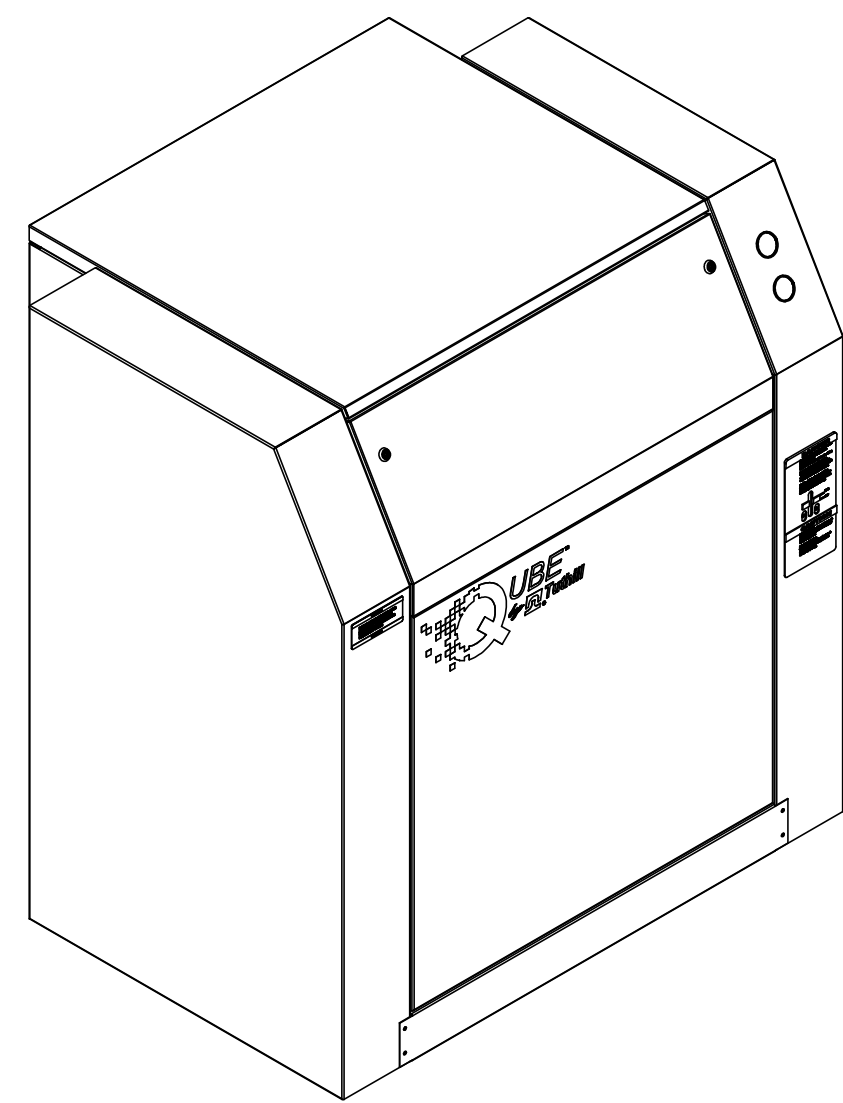
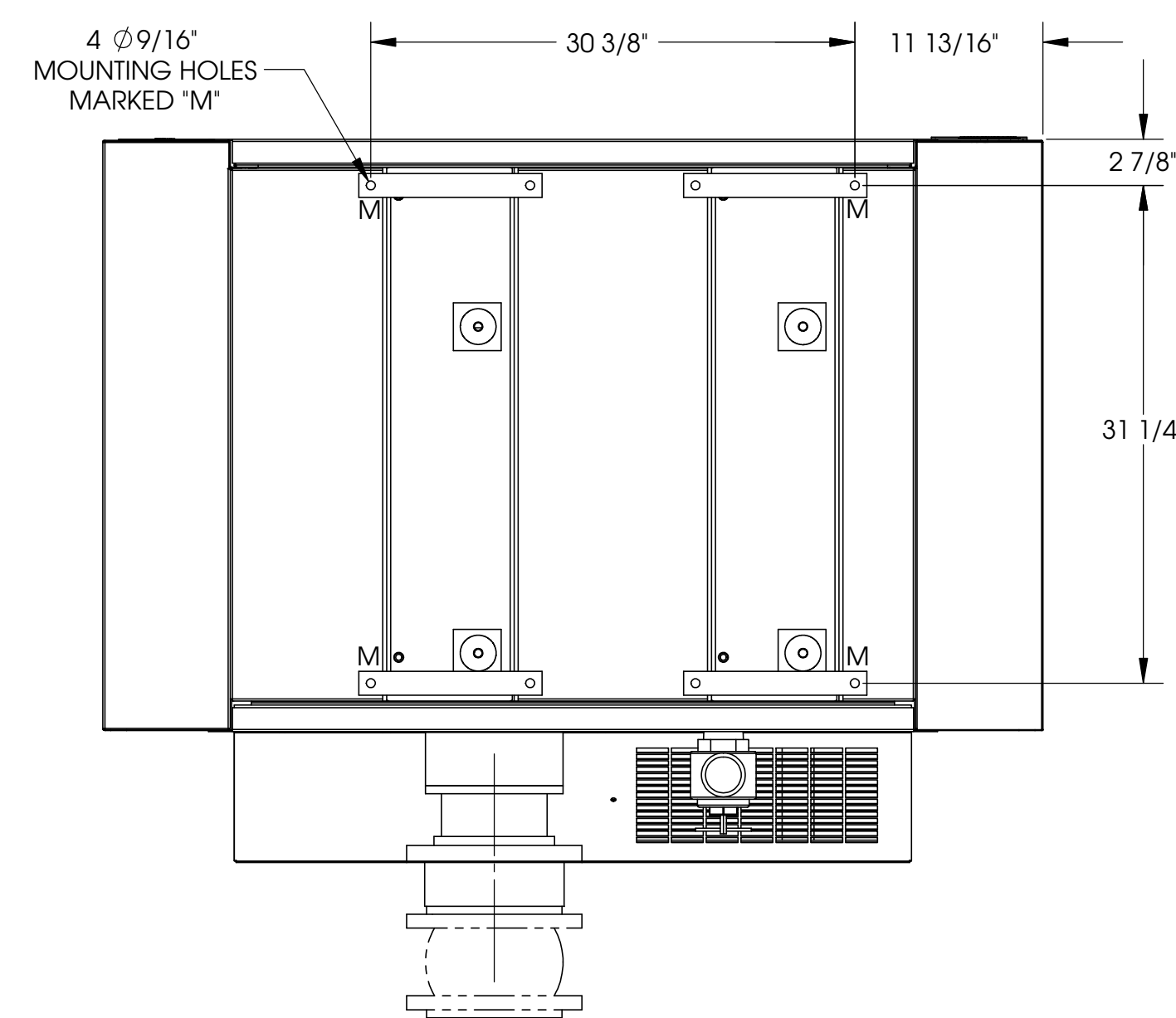
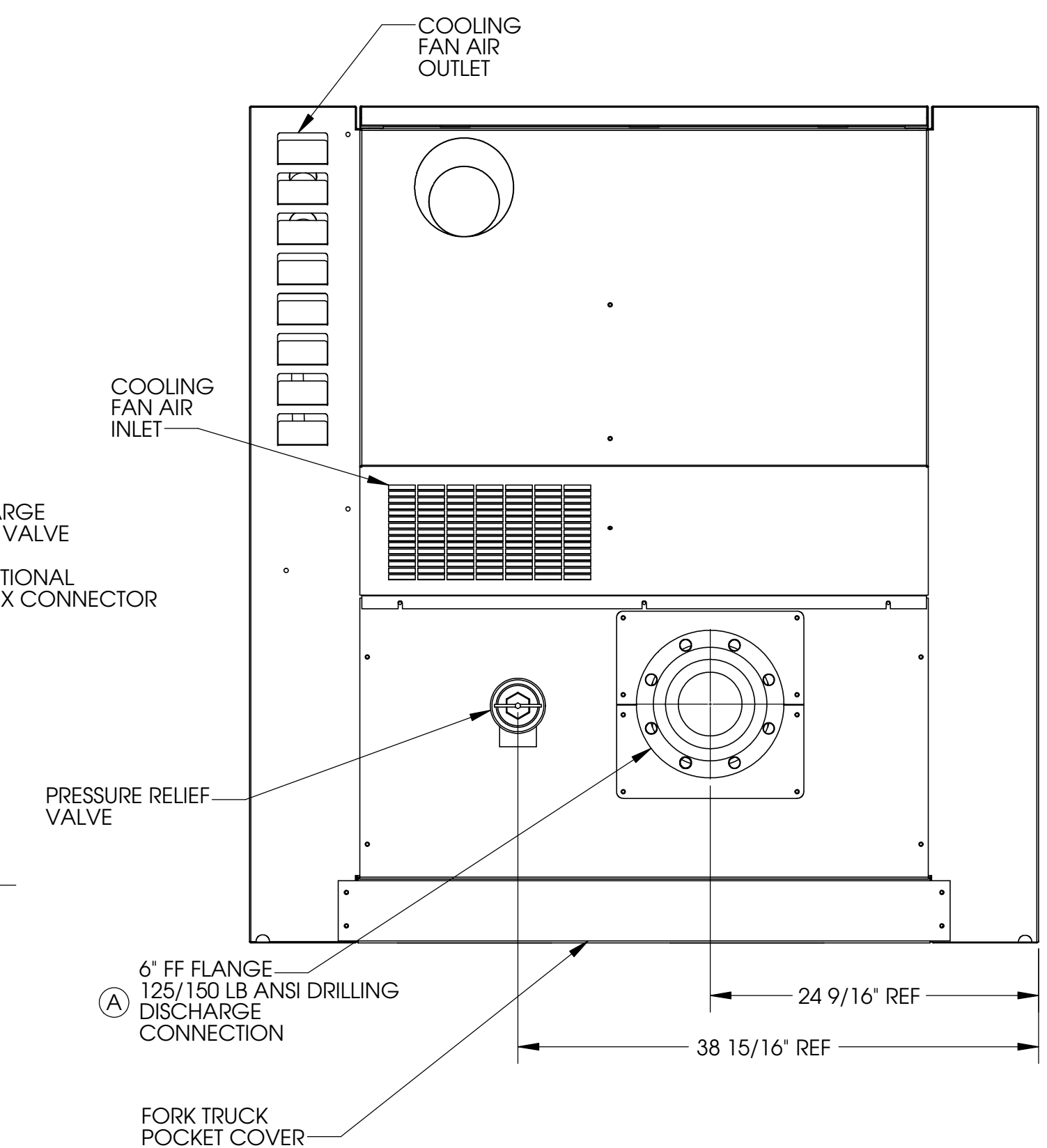
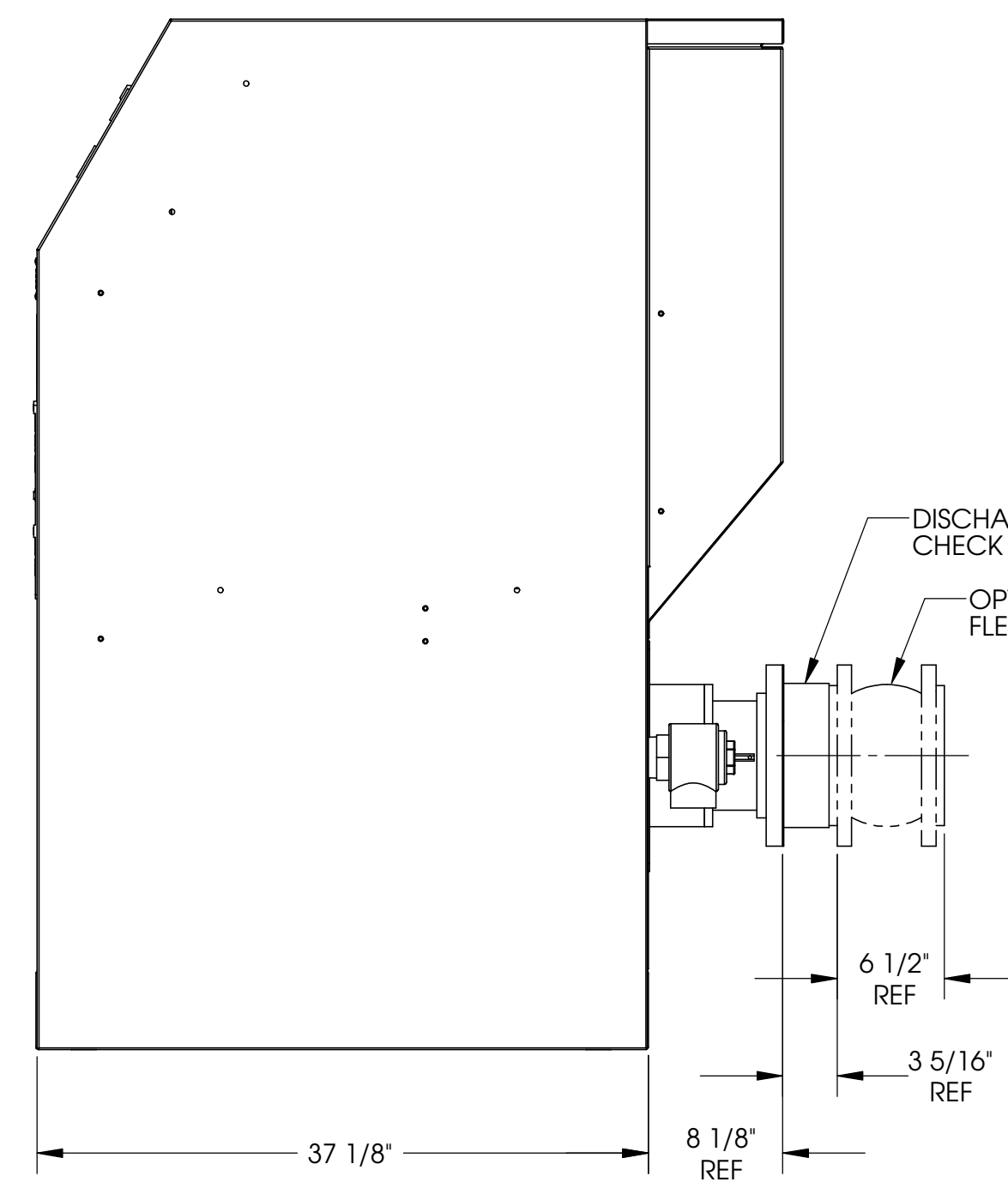
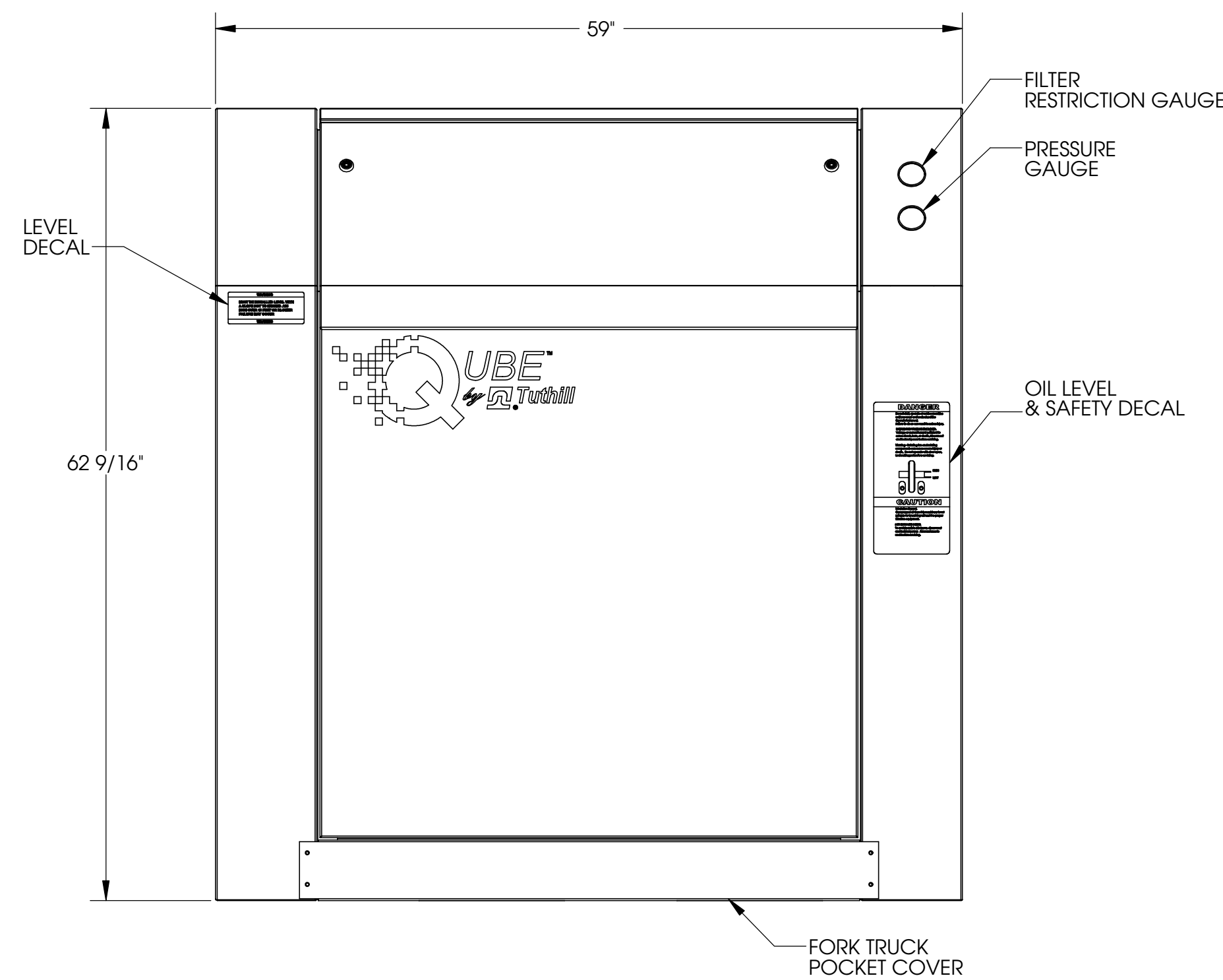
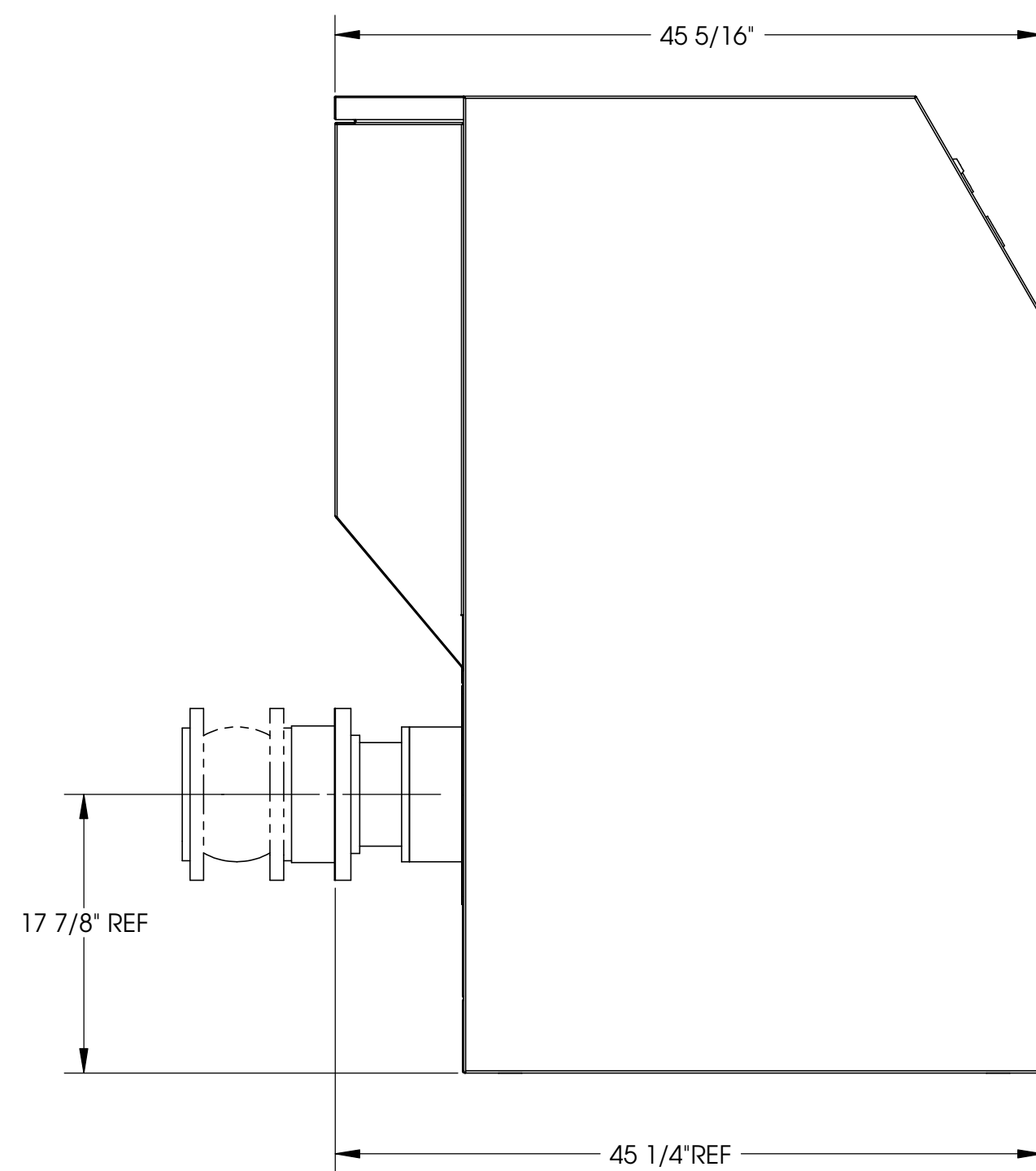


REV.	DESCRIPTION	DATE	BY	CHK
A	WAS 2" INPT DISCHARGE CONNECTION, ADDED 40 HP & FLEX	3/23/09	CWM	ERF
B	ADDED 30 & 25 HP MOTORS (ECN 8596)	7/23/09	CWM	ERF



BLOWER
4606
4610

MOTOR, 1800 RPM 230/460V, 3PH, 60HZ		
HP	FRAME	TYPE
25	284T	ODP
30	286T	TEFC
40	324T	
50	326T	
60	364T	
75	365T	



STANDARD PACKAGE COLOR: TUTHILL BLUE

TOLERANCES PLUS/MINUS
 .XX = .01
 .XXX = .005
 .XXXX = .0005
 ANGULAR = 1/2 DEG
 FRACTIONAL =
 CHAMFERS = 2 DEG
 BREAK ALL SHARP EDGES AND CORNERS

Tuthill 800.825.6937

TITLE: **QUBE 800P OUTLINE**

SIZE	DWG. NO.	REV
D		B

FIRST USED ON	DN: CWM	DATE: 4/8/08
QUBE 800	CK:	DATE:

SCALE: 1:1 WEIGHT: SHEET 1 OF 1