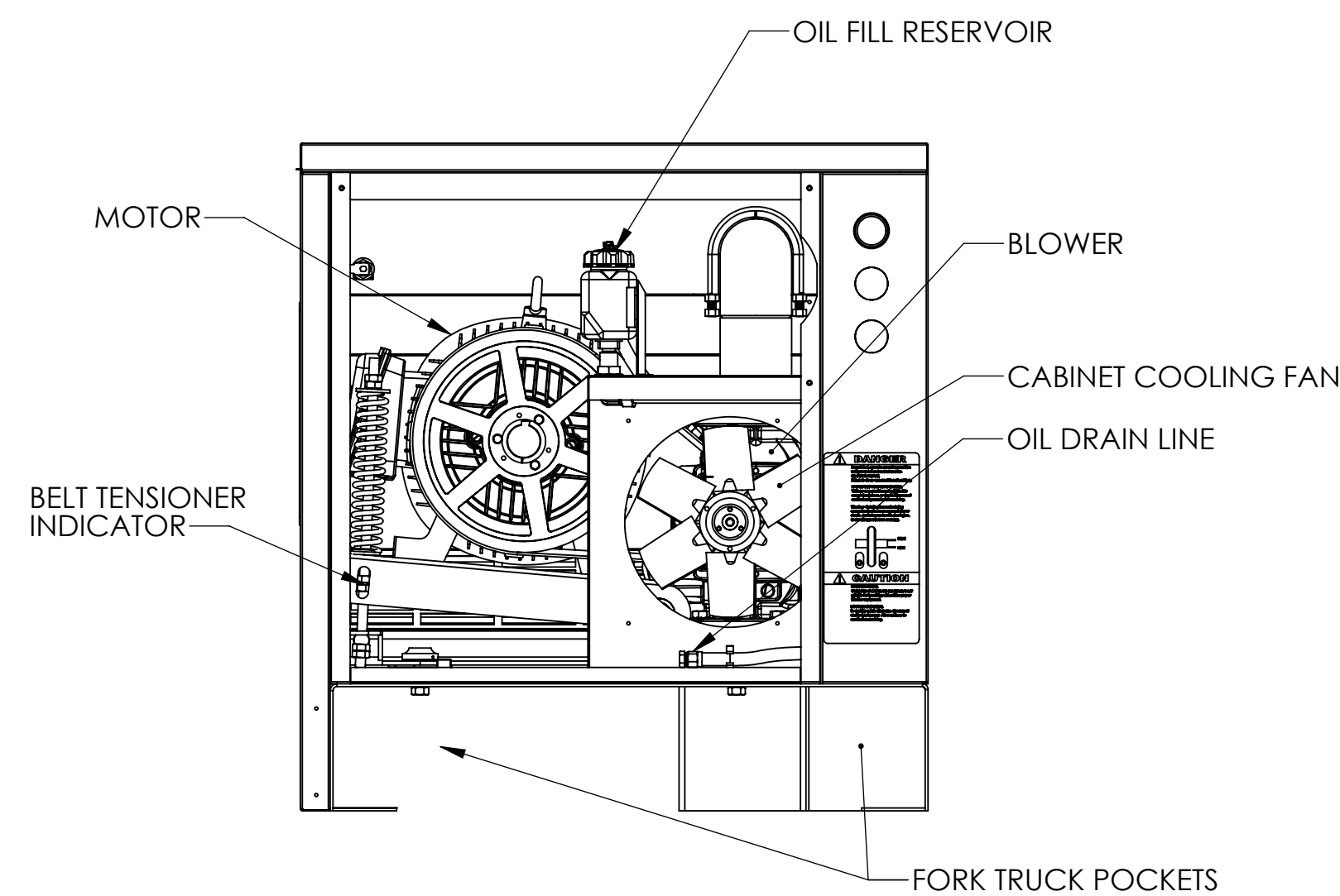
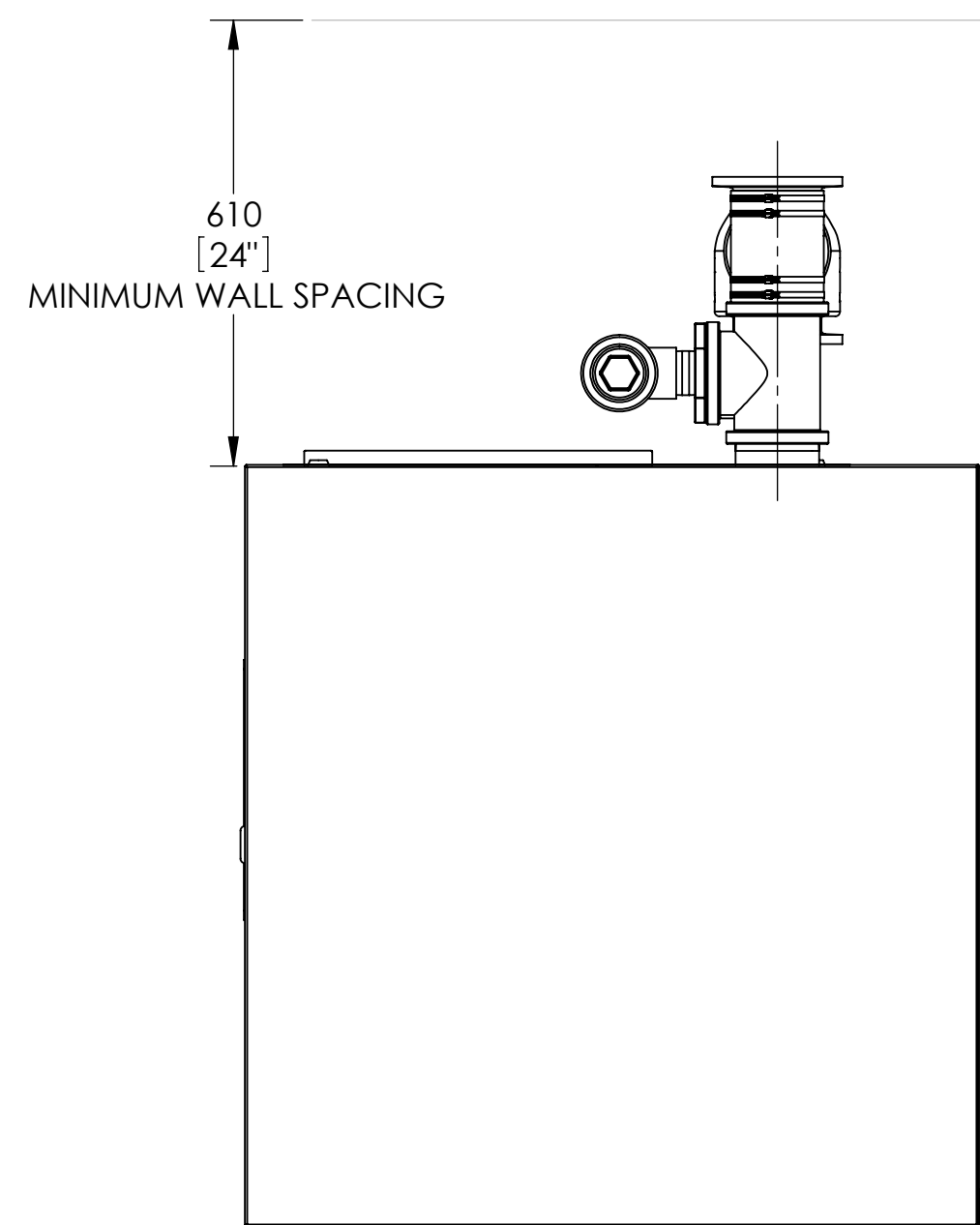
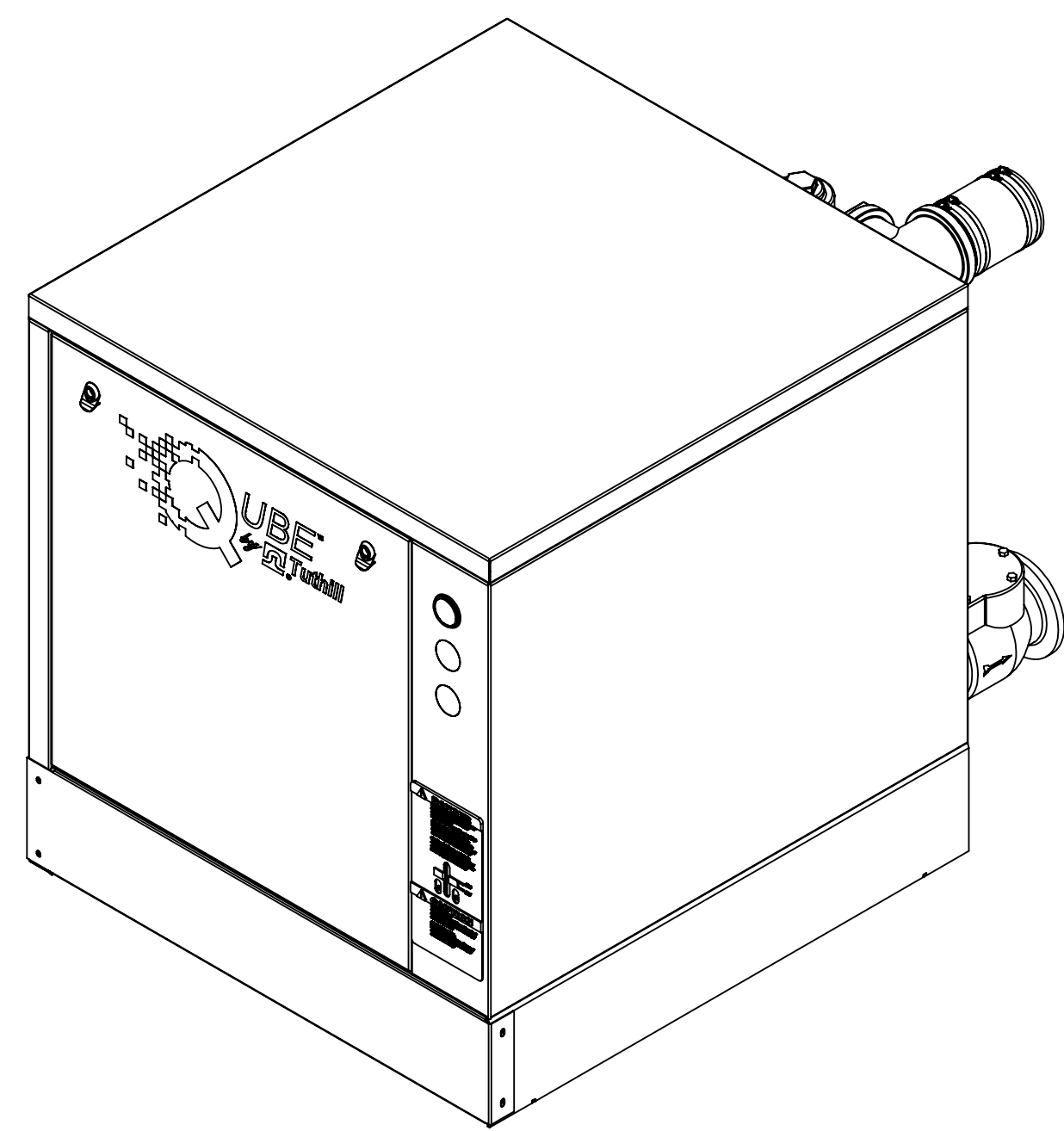


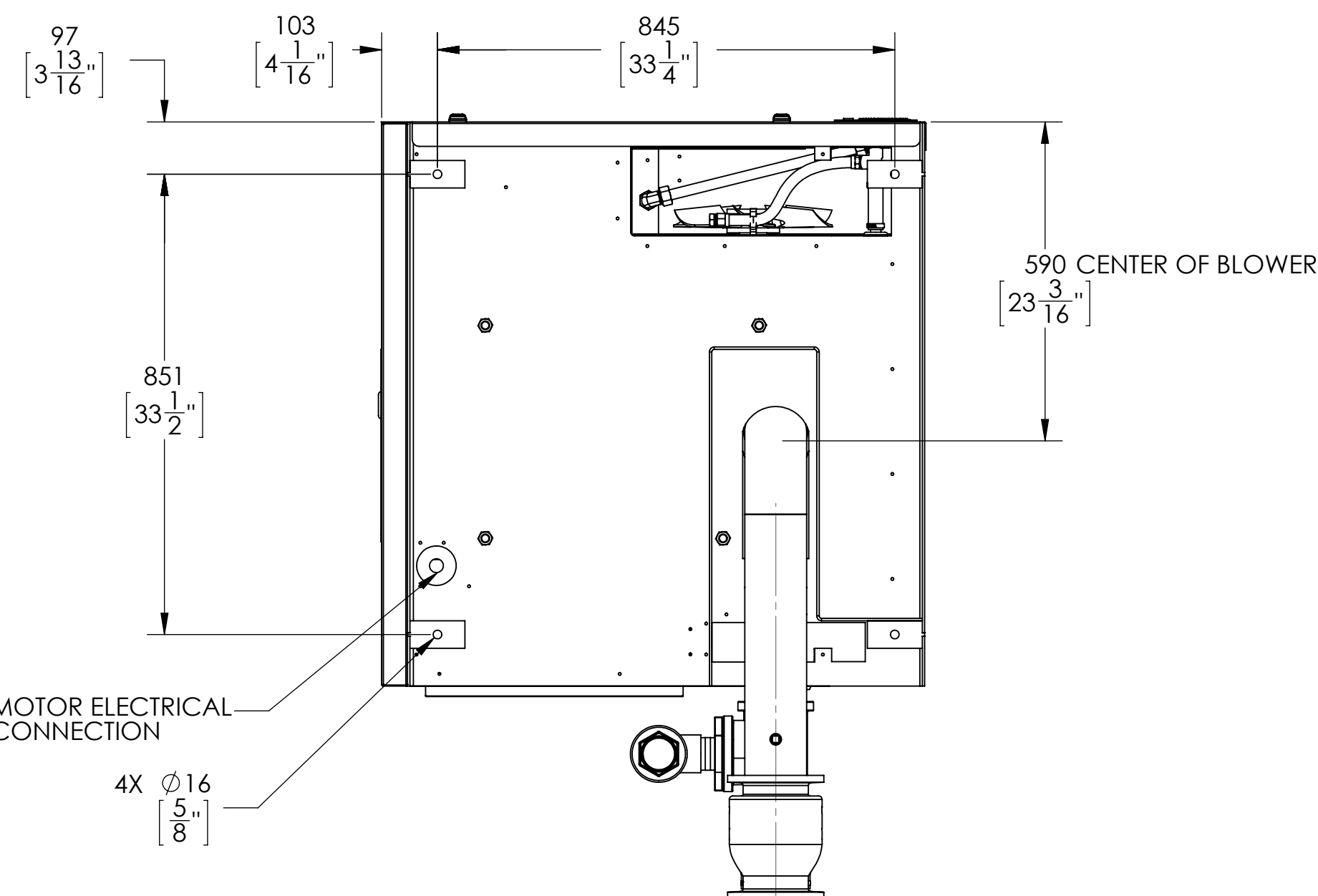
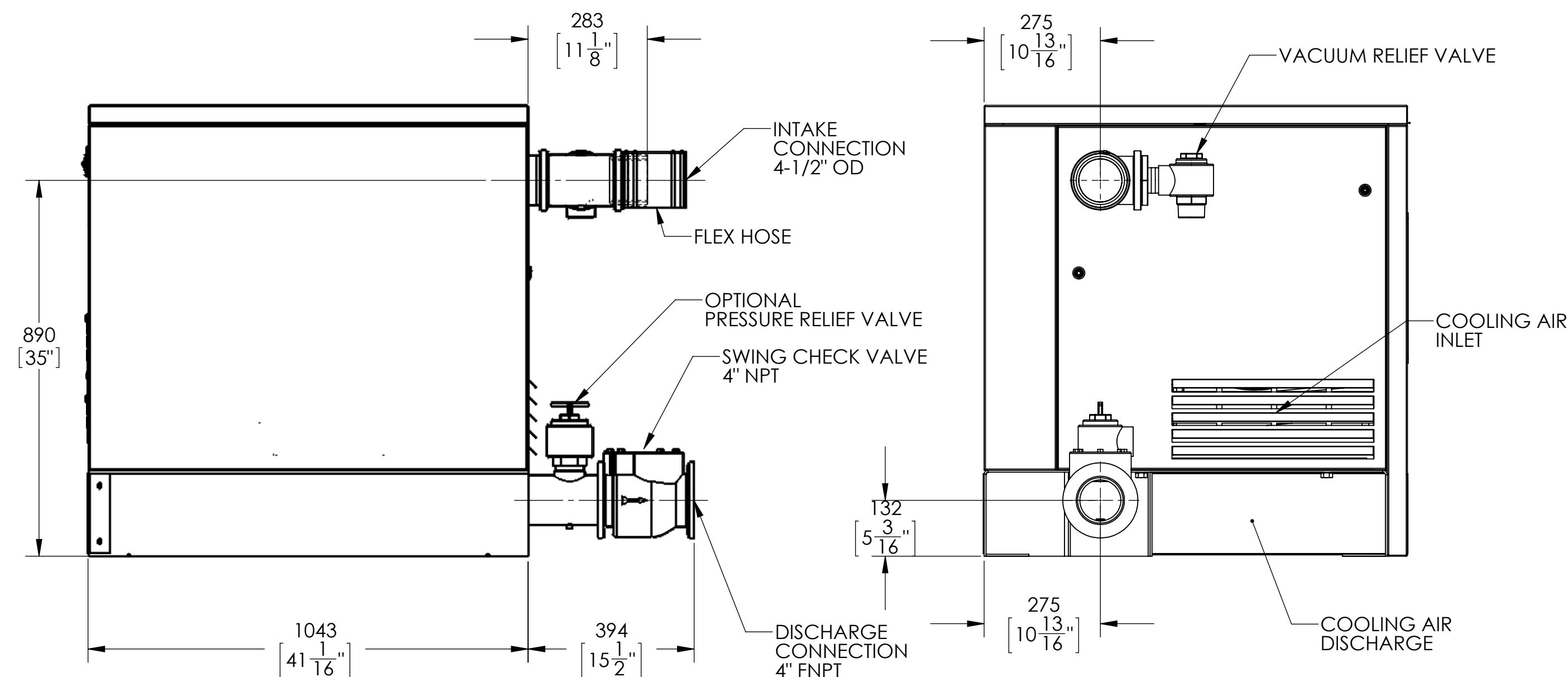
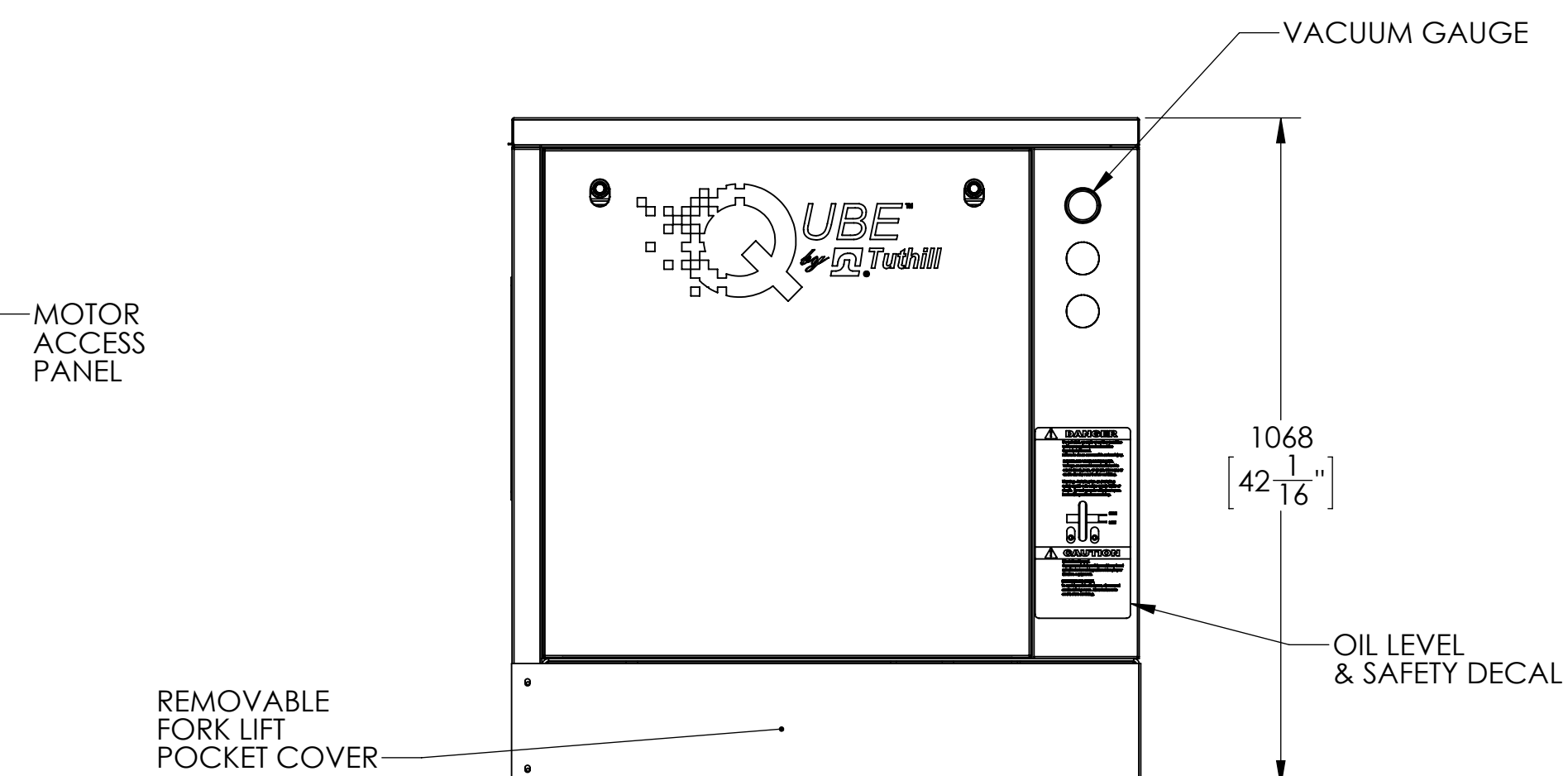
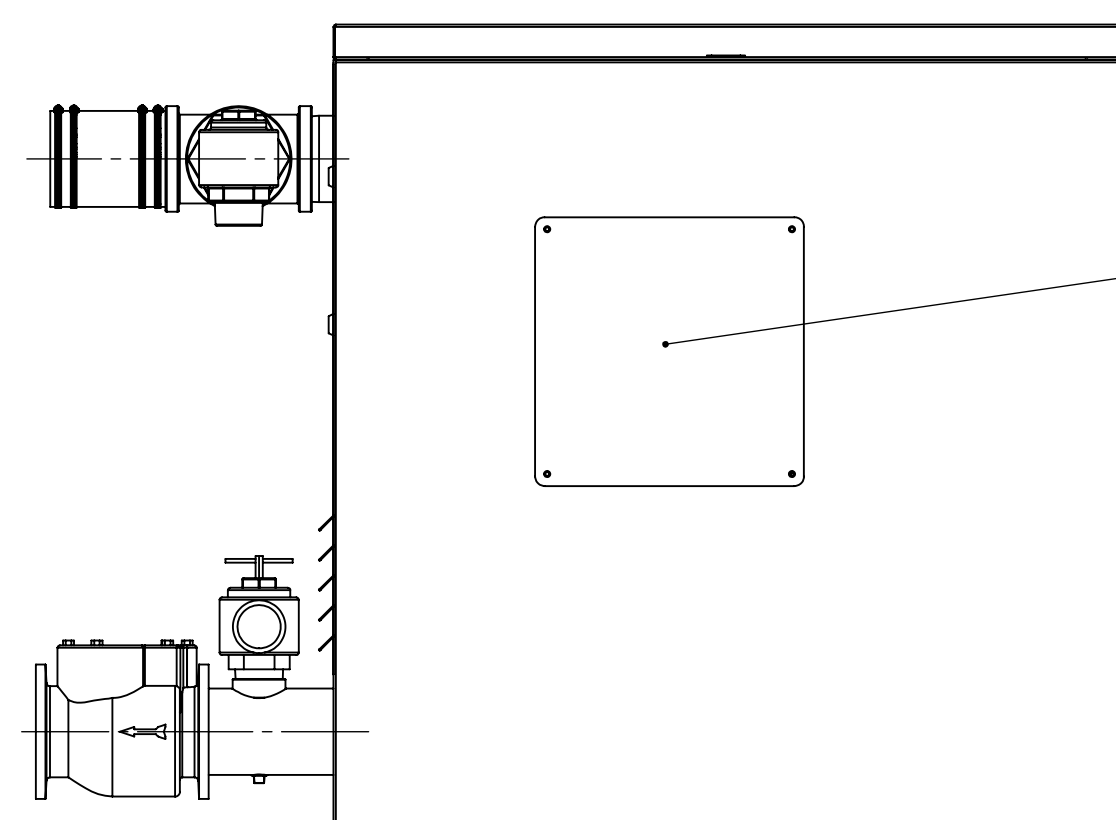
NOTICE OF CONFIDENTIAL INFORMATION

INFORMATION CONTAINED HEREIN IS CONFIDENTIAL AND IS THE PROPERTY OF THE TUTHILL CORPORATION. WHERE FURNISHED WITH A PROPOSAL THE RECIPIENT SHALL USE IT SOLELY TO EVALUATE THE PROPOSAL. WHERE FURNISHED TO A CUSTOMER IT SHALL BE USED SOLELY FOR THE PURPOSES OF INSPECTION, INSTALLATION OR MAINTENANCE. WHERE FURNISHED TO A SUPPLIER IT SHALL BE USED SOLELY IN THE PERFORMANCE OF WORK CONTRACTED FOR BY THE COMPANY. THE INFORMATION SHALL NOT BE USED OR DISCLOSED BY THE RECIPIENT FOR ANY OTHER PURPOSE WHATSOEVER.



BLOWER
QX3208

MOTOR, 1800 RPM			
230/460V, 3PH, 60HZ			
HP	FRAME	TYPE	
10	215T	ODP	TEFC
15	254T		
20	256T		
25	284T		
30	286T		
40	324T		



<p>FABRICATION TOLERANCES</p> <p>METRIC (U.S. CUSTOMARY)</p> <p>X = ±1.5mm (X = ±.06in)</p> <p>XX = ±.75mm (XX = ±.03in)</p> <p>XXX = ±.25mm (XXX = ±.010in)</p> <p>ANGULAR = ±1/2 DEG CHAMFERS = ±2 DEG</p> <p>BREAK ALL SHARP EDGES, CORNERS, DEBURR AND CLEAN</p>	APPLICATION			VACUUM & BLOWER SYSTEMS	
	NEXT ASSY	USED ON		TITLE	
				QUBE 400V OUTLINE	
THIRD ANGLE PROJECTION	APPROVALS	DATE	SIZE DWG NO.	REV	
	DRAWN ERF	2/15/10	D		
	CHECKED		SCALE 1:10 WEIGHT LB		SHEET 1 OF 1