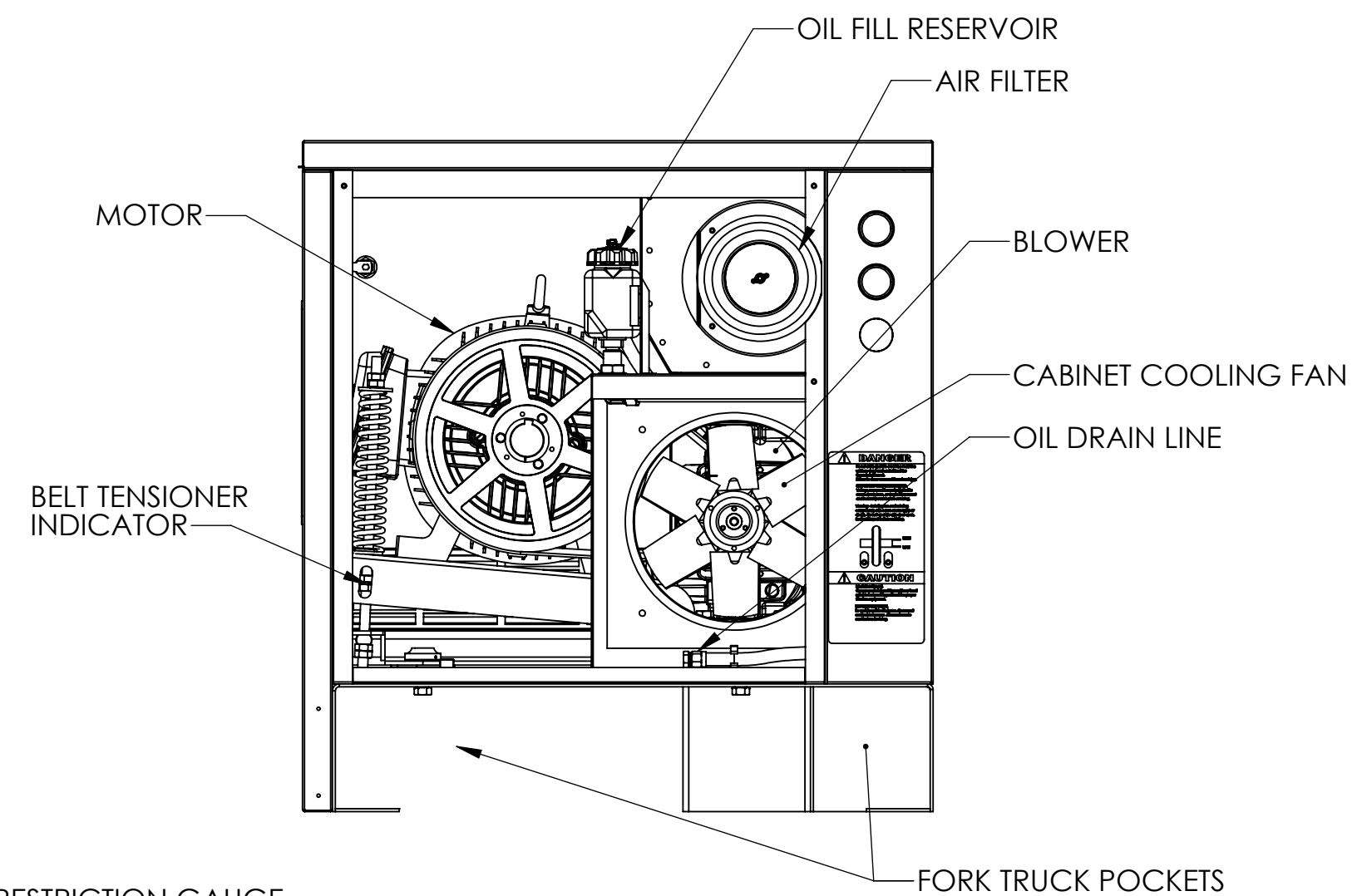
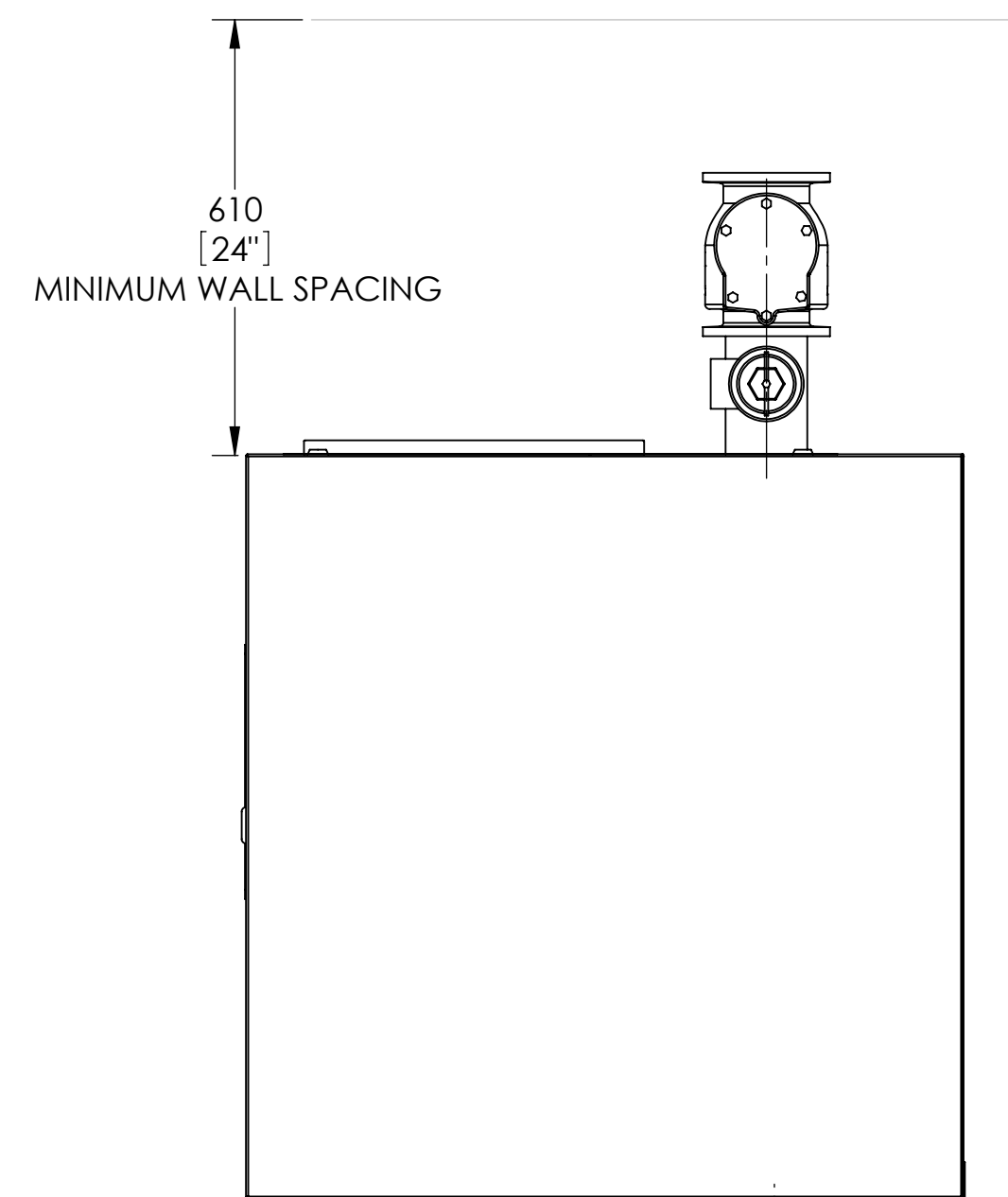
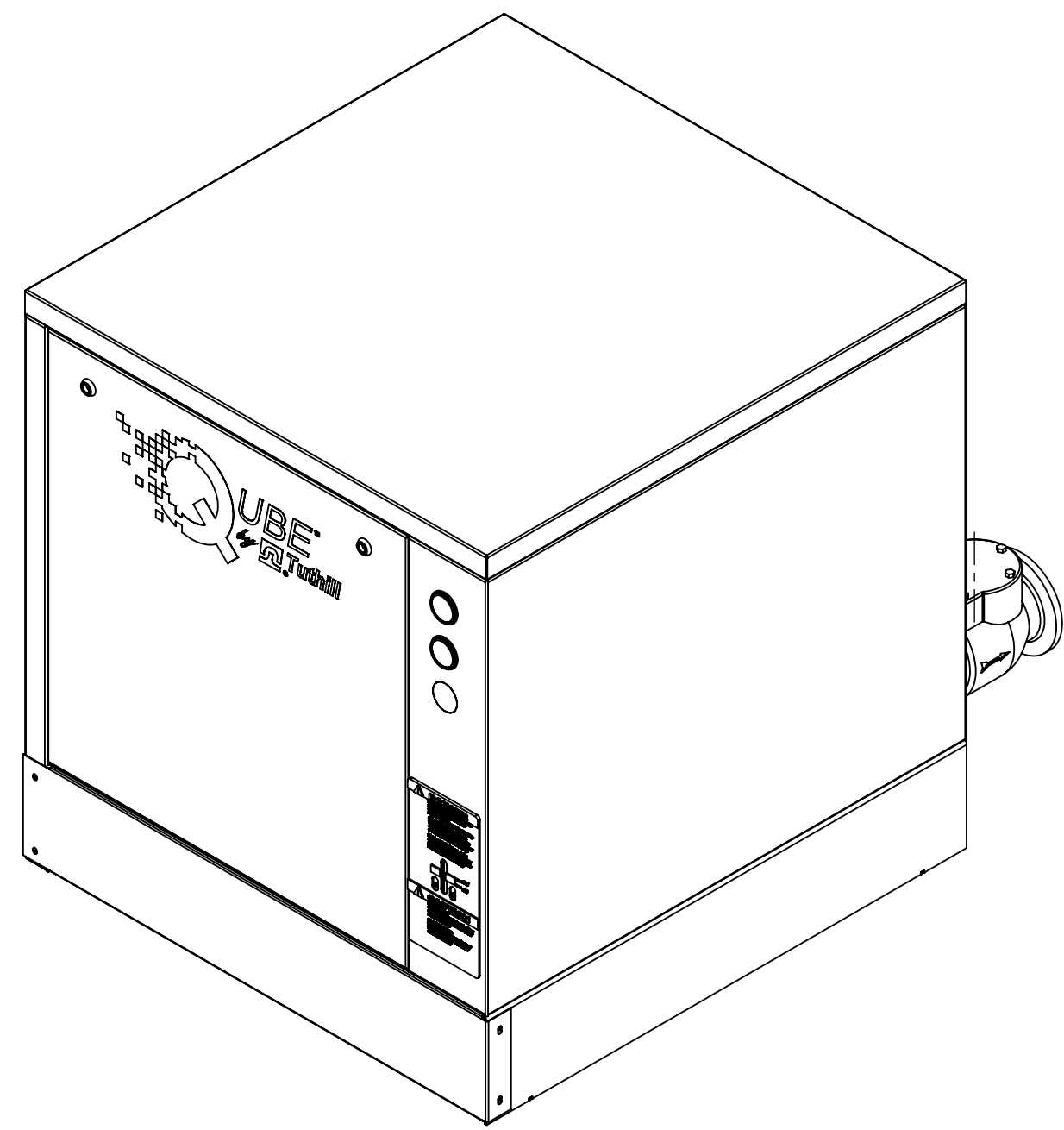
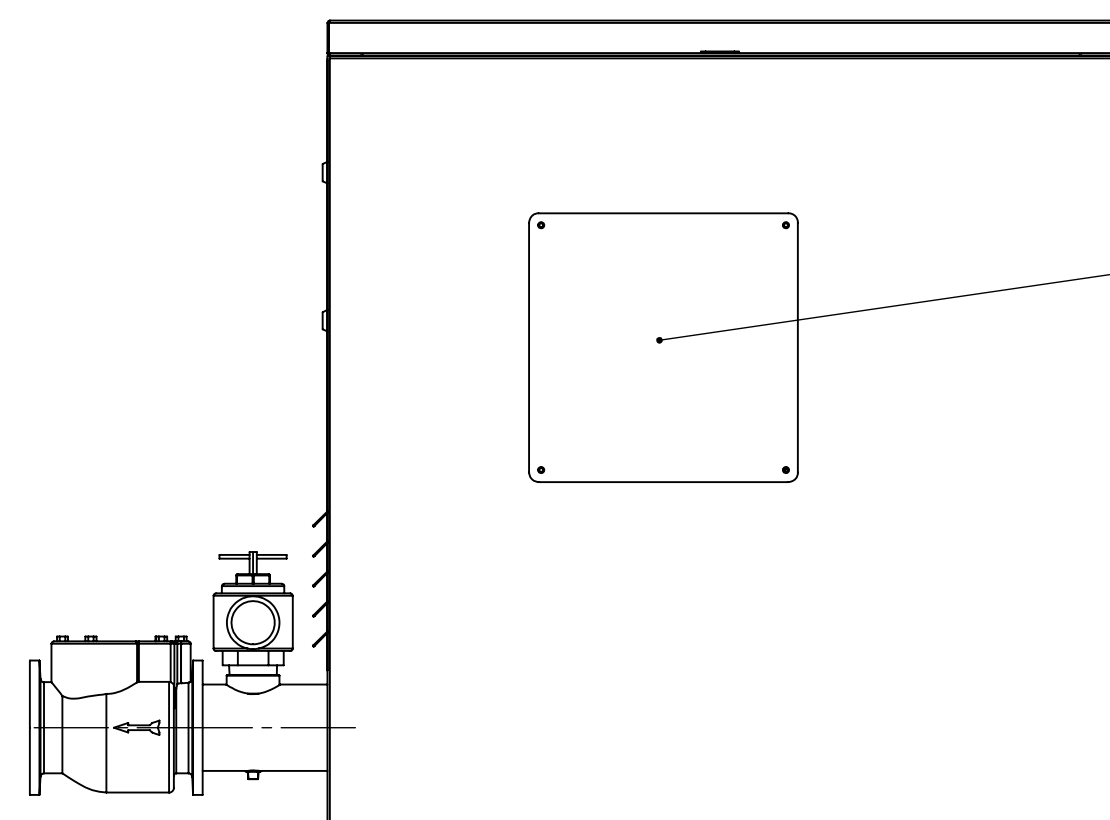


INFORMATION CONTAINED HEREIN IS CONFIDENTIAL AND IS THE PROPERTY OF THE TUTHILL CORPORATION. WHERE FURNISHED WITH A PROPOSAL THE RECIPIENT SHALL USE IT SOLELY TO EVALUATE THE PROPOSAL. WHERE FURNISHED TO A CUSTOMER IT SHALL BE USED SOLELY FOR THE PURPOSES OF INSPECTION, INSTALLATION OR MAINTENANCE. WHERE FURNISHED TO A SUPPLIER IT SHALL BE USED SOLELY IN THE PERFORMANCE OF WORK CONTRACTED FOR BY THE COMPANY. THE INFORMATION SHALL NOT BE USED OR DISCLOSED BY THE RECIPIENT FOR ANY OTHER PURPOSE WHATSOEVER.

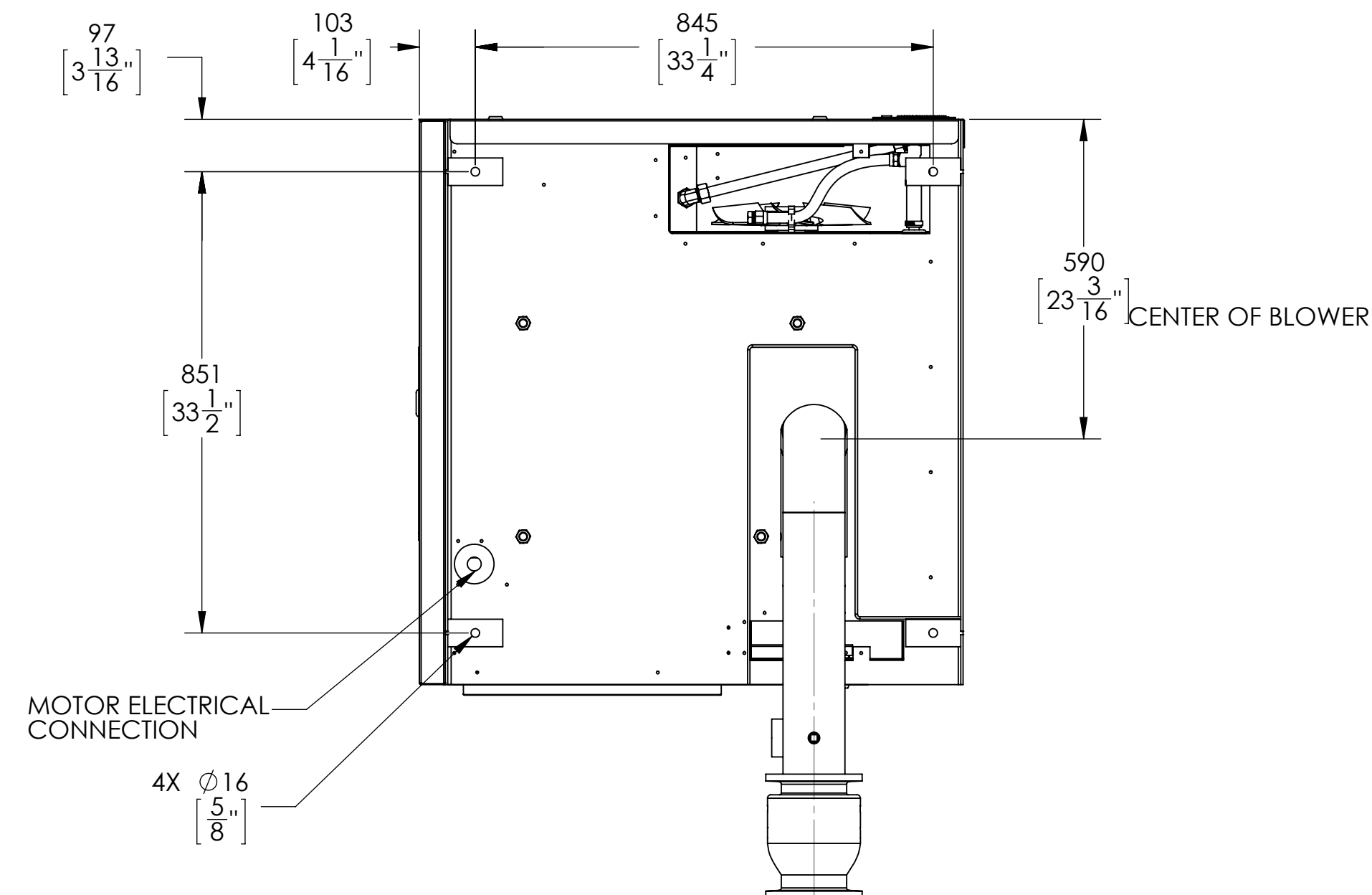
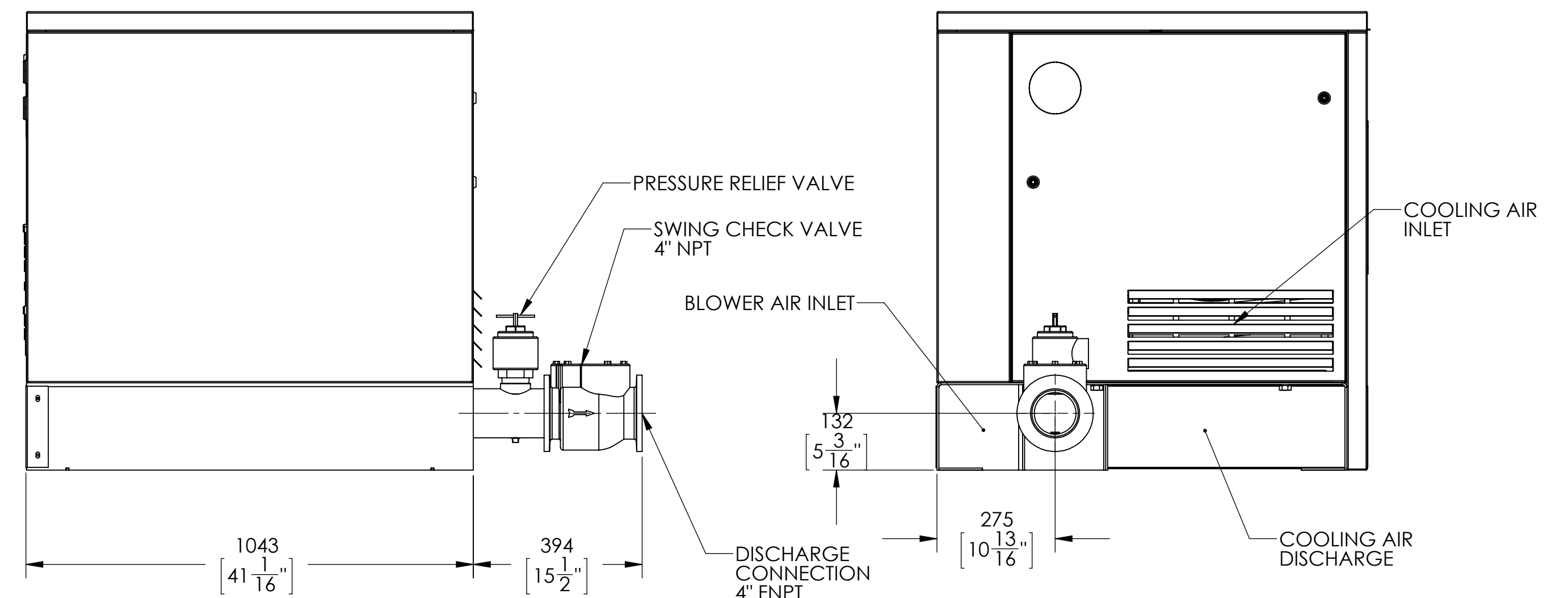
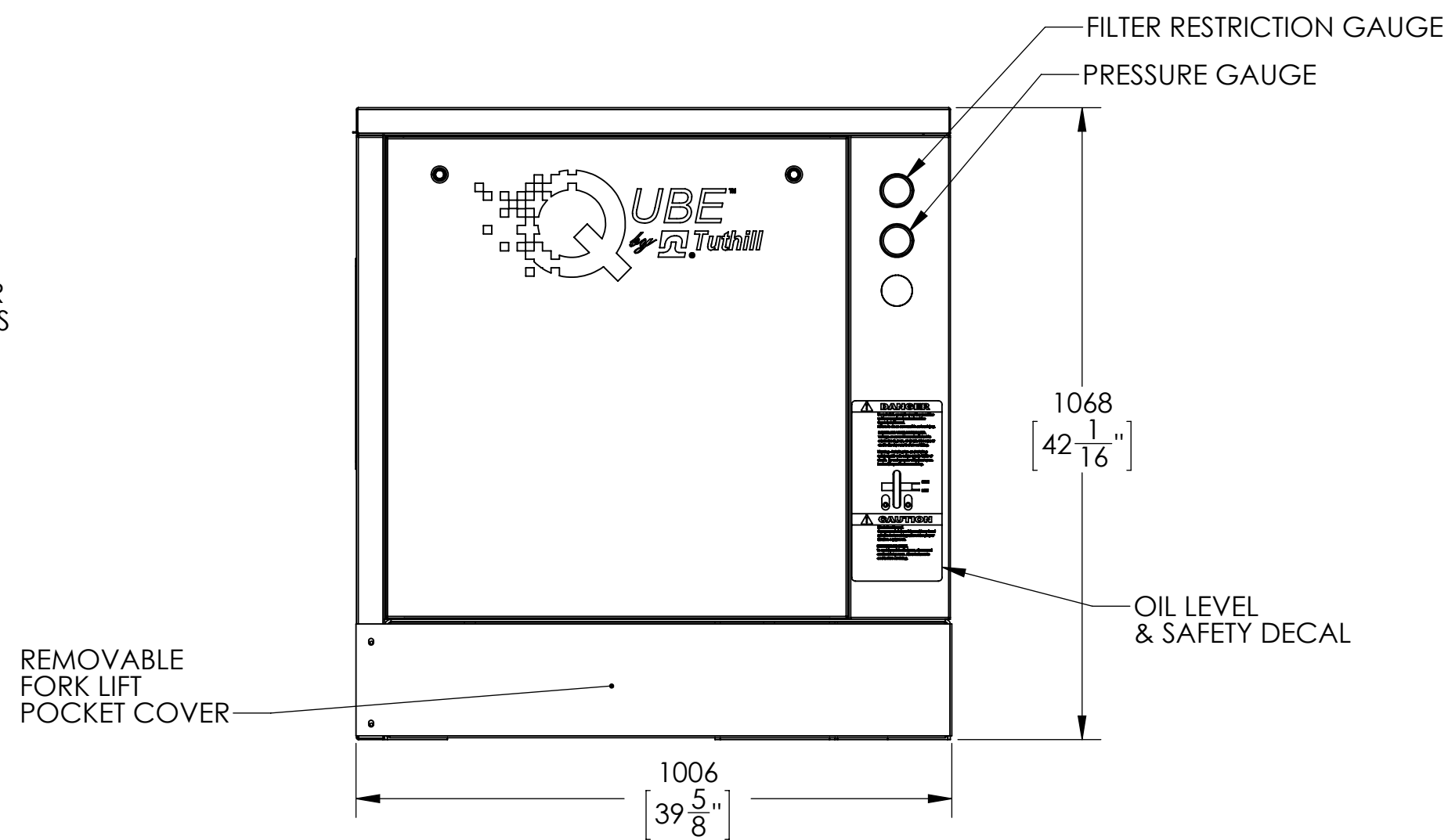


BLOWER
QX3208

MOTOR, 1800 RPM			
230/460V, 3PH, 60HZ			
HP	FRAME	TYPE	
10	215T	ODP	
15	254T	TEFC	
20	256T		
25	284T		
30	286T		
40	324T		



MOTOR ACCESS PANEL



<p><b>FABRICATION TOLERANCES</b></p> <p>METRIC [U.S. CUSTOMARY]</p> <p>X<sub>1</sub> = ±1.5mm [X = ±.06in]</p> <p>X<sub>2</sub> = ±.75mm [XX = ±.03in]</p> <p>X<sub>3</sub> = ±.25mm [XXX = ±.010in]</p> <p>ANGULAR = ±1/2 DEG CHAMFERS = ±2 DEG BREAK ALL SHARP EDGES, CORNERS, DEBURR AND CLEAN</p>	APPLICATION		<p>VACUUM &amp; BLOWER SYSTEMS</p>	
	NEXT ASSY	USED ON		TITLE
				QUBE 400P OUTLINE
THIRD ANGLE PROJECTION	APPROVALS	DATE	SIZE DWG NO.	
	DRAWN ERF	2/15/10	<b>D</b>	
CHECKED			SCALE 1:10   WEIGHT LB	
			SHEET 1 OF 1	