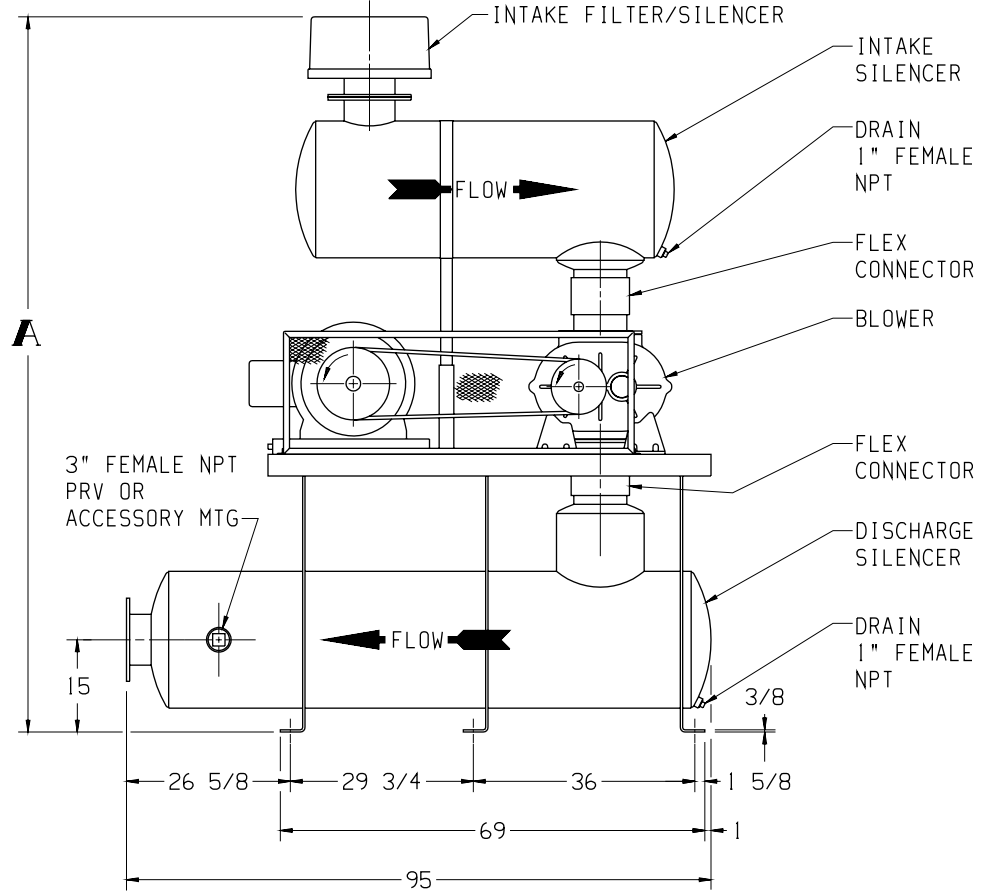
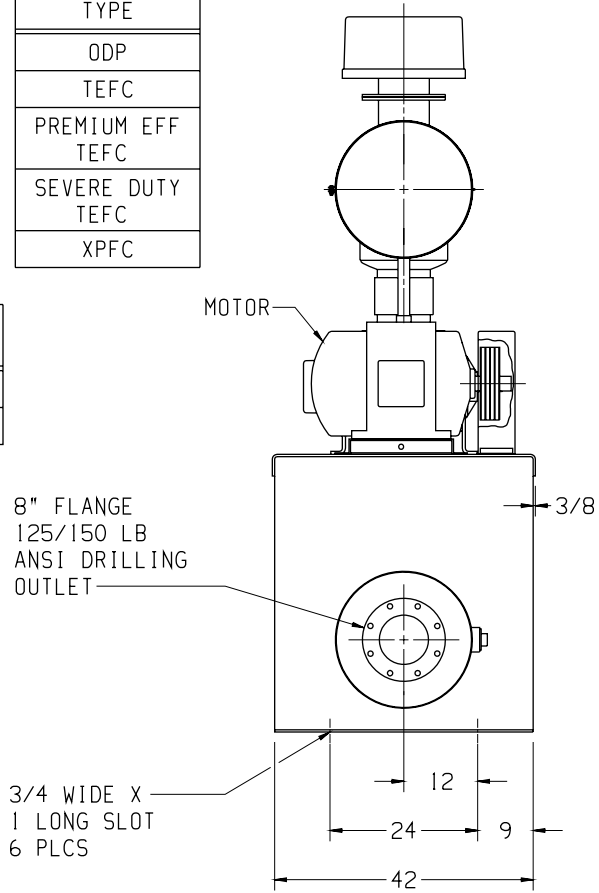


MOTOR W/SLIDE BASE
1800 RPM, 230/460 V. 3 PH. 60 HZ

HP	FRAME	TYPE
25	284T	ODP
30	286T	TEFC
40	324T	PREMIUM EFF TEFC
50	326T	TEFC
60	364T	SEVERE DUTY TEFC
75	365T	XPFC

BLOWER	A
7011	116 1/4
7018	116 1/4



SERIAL NUMBER(S) _____

 F.O. _____

APPROXIMATE WEIGHT

BASE, SILENCERS, FILTER, DRIVE, & GUARD	1635 LBS
BLOWER	___ LBS
MOTOR & SLIDE BASE	___ LBS
TOTAL WEIGHT	___ LBS

Tuthill 800.825.6937

BASE MOUNTED OUTLINE PNEU-PAK-33-80-A

SIZE:	
C2	
DR	BD 6-5-02
CH	_____