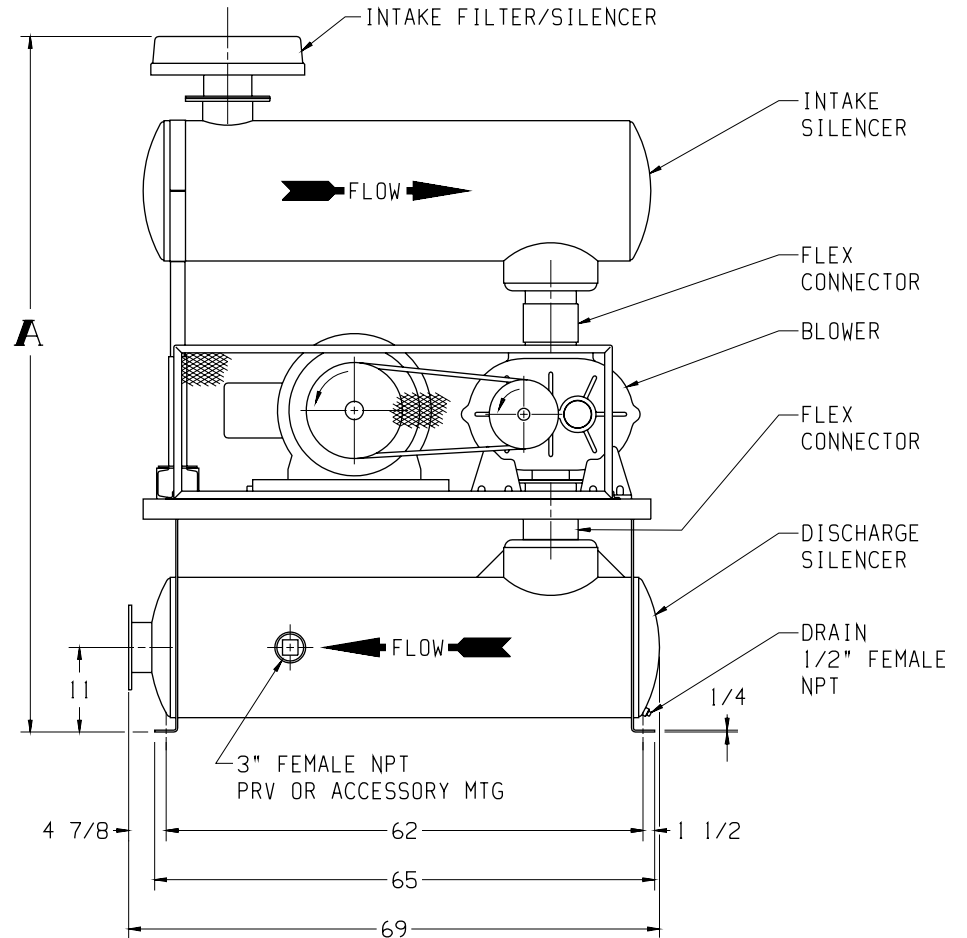
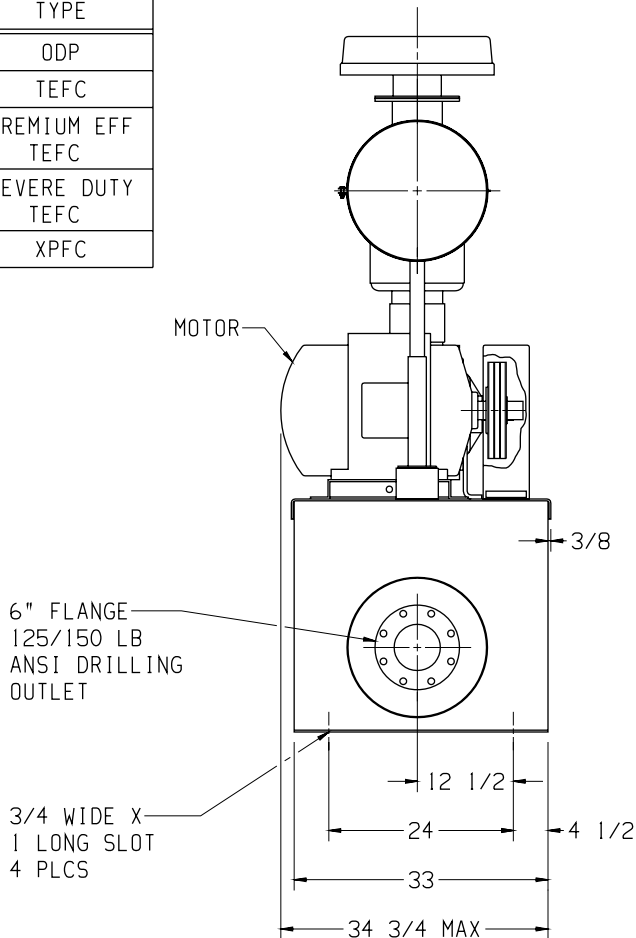


MOTOR W/SLIDE BASE
1800 RPM, 230/460 V. 3 PH. 60 HZ

HP	FRAME	TYPE
20	256T	ODP
25	284T	TEFC
30	286T	PREMIUM EFF TEFC
40	324T	TEFC
50	326T	SEVERE DUTY TEFC
60	364T	TEFC
75	365T	XPFC

BLOWER	A
6008	87 5/16
6015	87 5/16
7006	91 7/16
7011	90 7/16



SERIAL NUMBER(S) _____

F.O. _____

APPROXIMATE WEIGHT	
BASE, SILENCERS, FILTER, DRIVE, & GUARD	950 LBS
BLOWER	___ LBS
MOTOR & SLIDE BASE	___ LBS
TOTAL WEIGHT	___ LBS

Tuthill 800.825.6937

BASE MOUNTED OUTLINE PNEU-PAK-33-60-A

SIZE:
C2

DR BD 5-31-02 CH _____