

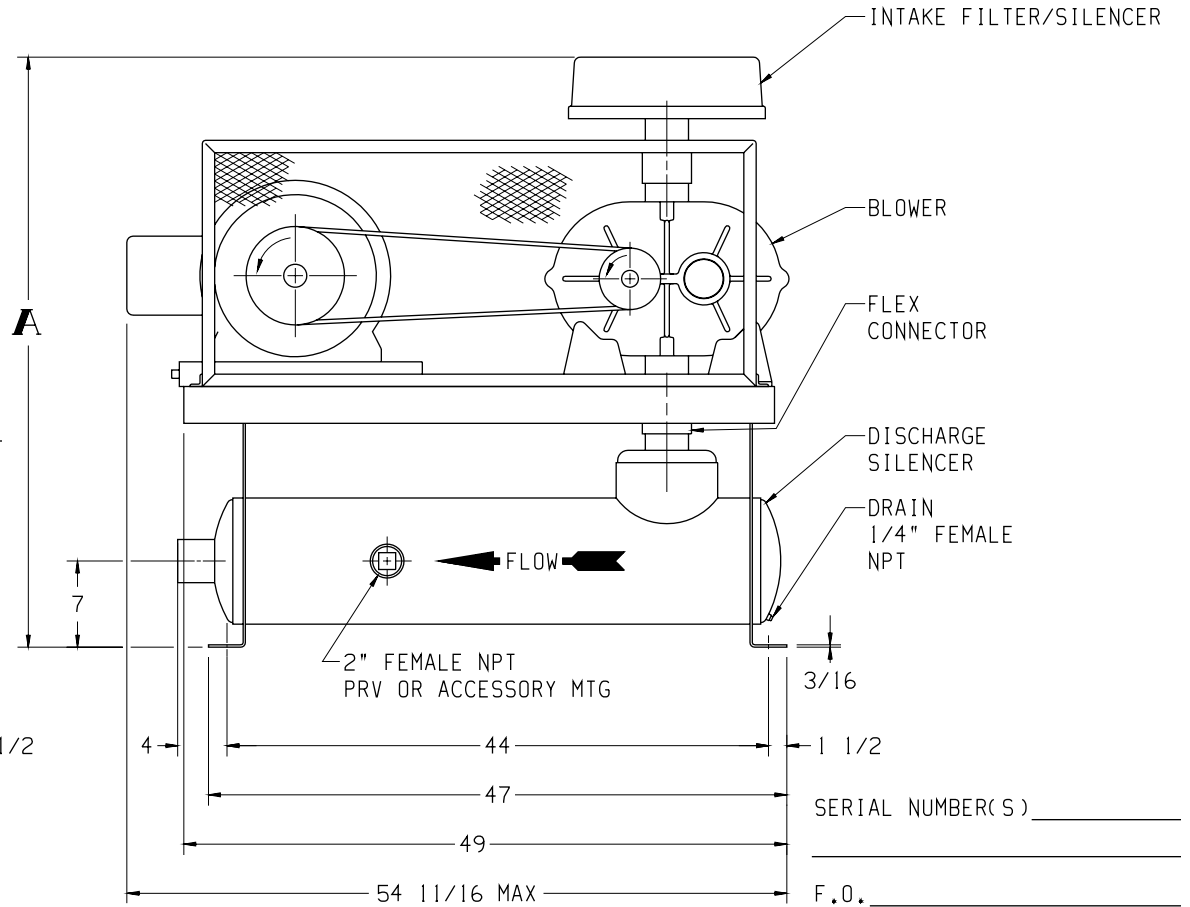
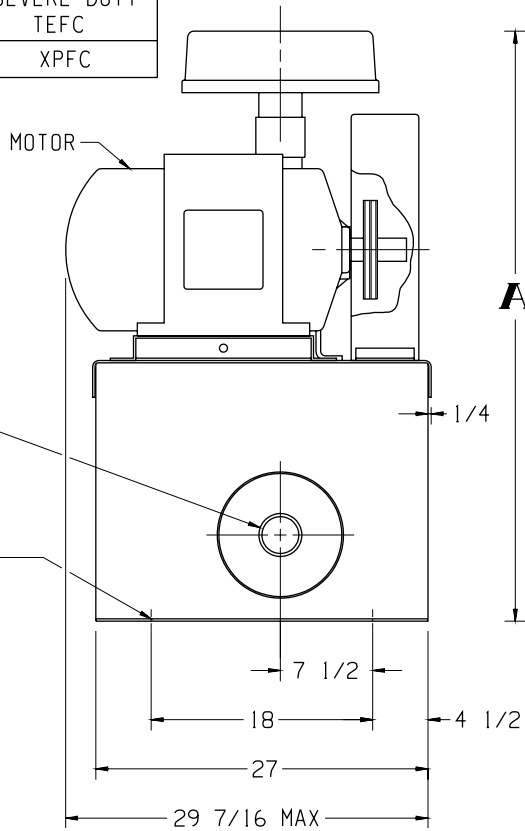
MOTOR W/SLIDE BASE
1800 RPM, 230/460 V, 3 PH, 60 HZ

HP	FRAME	TYPE
7 1/2	213T	ODP
10	215T	TEFC
15	254T	PREMIUM EFF TEFC
20	256T	TEFC
25	284T	SEVERE DUTY TEFC
30	286T	XPFC

BLOWER	A
3006	48 3/16
4005	47 7/8
4007	48 1/16
5003	47 15/16
6005	47 15/16

3" MALE NPT
OUTLET

3/4" WIDE X
1" LONG SLOT
4 PLCS



APPROXIMATE WEIGHT

BASE, SILENCER, FILTER, DRIVE, & GUARD	329 LBS
BLOWER	___ LBS
MOTOR & SLIDE BASE	___ LBS
TOTAL WEIGHT	___ LBS

Tuthill 800.825.6937

BASE MOUNTED OUTLINE PNEU-PAK-33-30-B

SIZE:
C2

DR BD 4-4-02 CH _____

SERIAL NUMBER(S) _____
F.O. _____