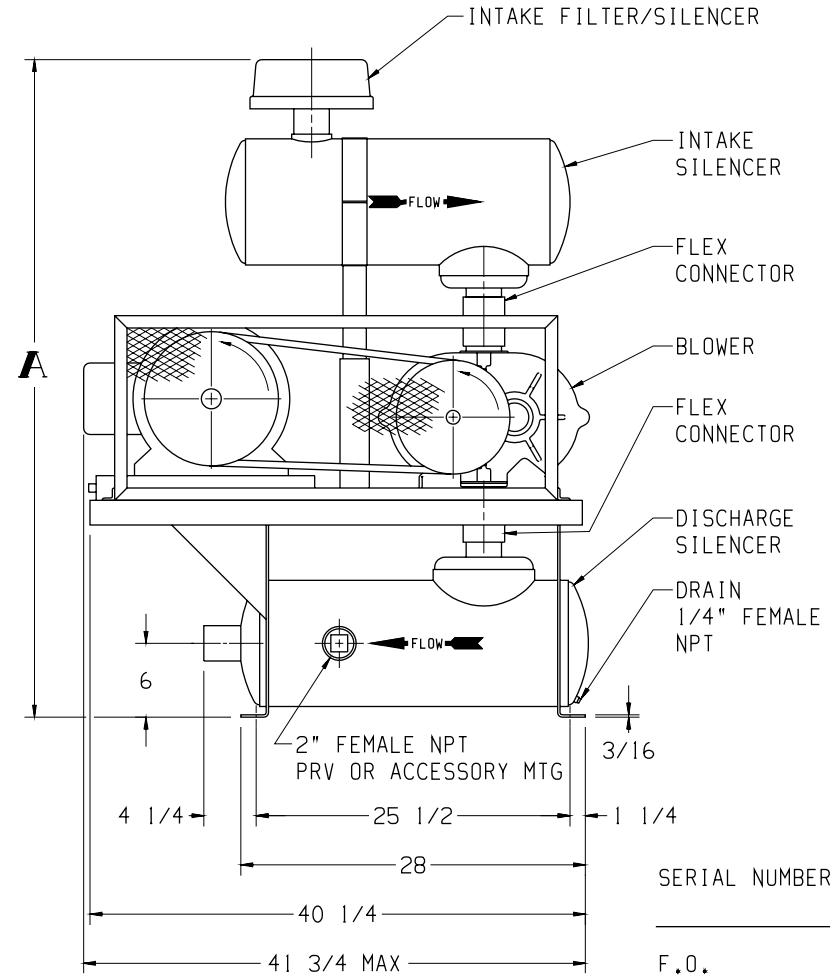
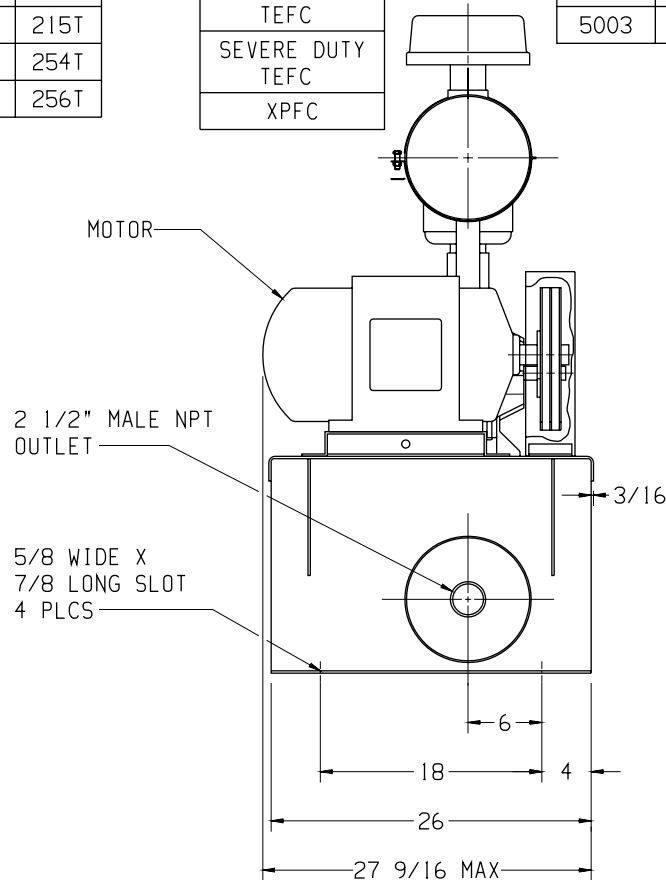


MOTOR W/SLIDE BASE		TYPE	
1800 RPM, 230/460 V, 3 PH, 60 HZ			
HP	FRAME		
3	182T		ODP
5	184T		TEFC
7 1/2	213T		PREMIUM EFF TEFC
10	215T		SEVERE DUTY TEFC
15	254T		
20	256T		XPFC

BLOWER	A
3003	52 1/16
3006	52 1/16
4002	52 1/16
4005	52 1/16
5003	53 7/16



SERIAL NUMBER(S) \_\_\_\_\_  
 F.O. \_\_\_\_\_

APPROXIMATE WEIGHT	
BASE, SILENCERS, FILTER, DRIVE, & GUARD	285 LBS
BLOWER	___ LBS
MOTOR & SLIDE BASE	___ LBS
<b>TOTAL WEIGHT</b>	<b>___ LBS</b>

**Tuthill** 800.825.6937

BASE MOUNTED OUTLINE PNEU-PAK-33-25-A

SIZE:	
C2	
DR	BD 2-11-02
CH	_____