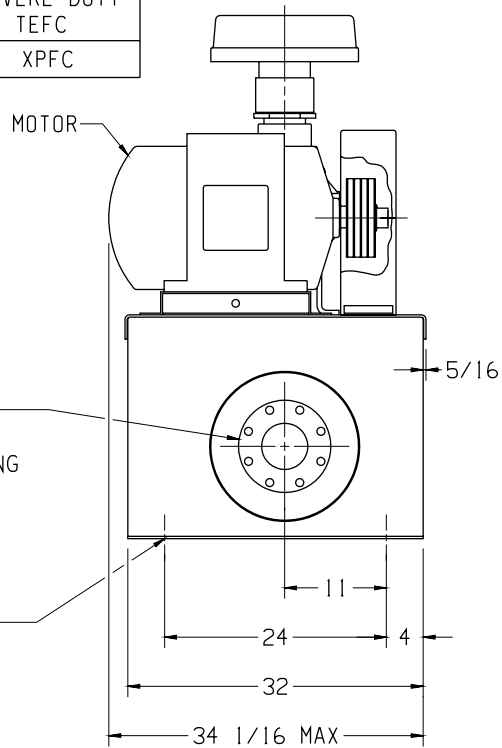


MOTOR W/SLIDE BASE
1800 RPM, 230/460 V. 3 PH. 60 HZ

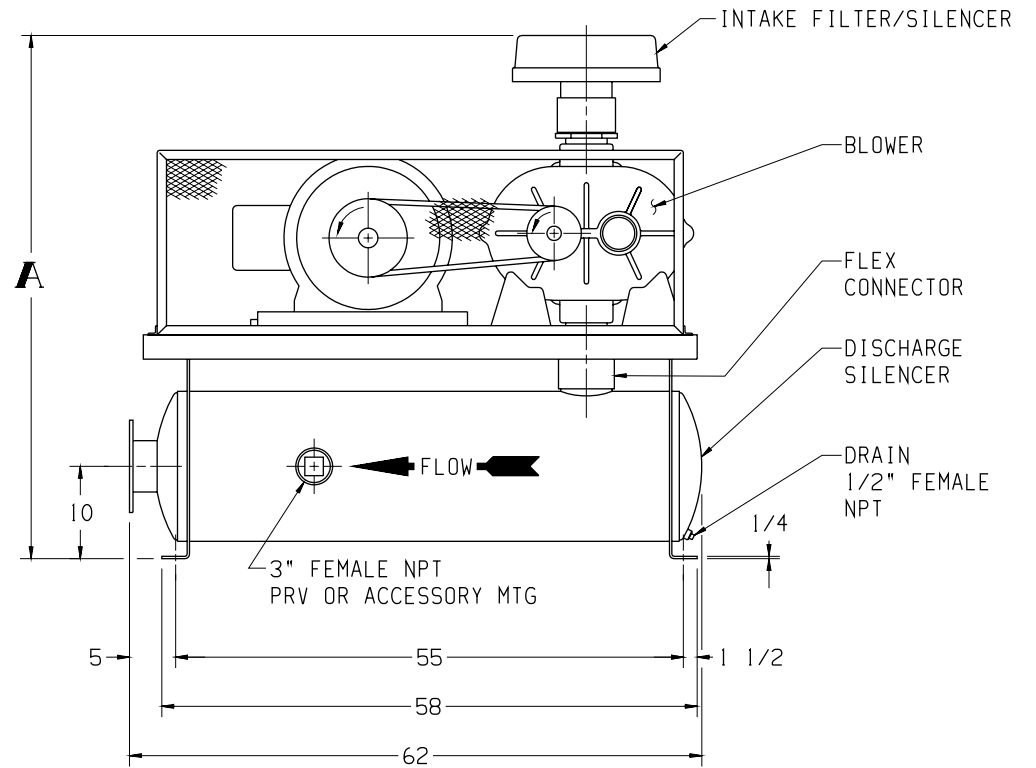
HP	FRAME	TYPE
10	215T	ODP
15	254T	TEFC
20	256T	PREMIUM EFF TEFC
25	284T	TEFC
30	286T	SEVERE DUTY TEFC
40	324T	TEFC
50	326T	XPFC

BLOWER	A
5009	51 1/4
6005	51 7/16
6008	51 1/4
7006	56 11/16



5" FLANGE
125/150 LB
ANSI DRILLING
OUTLET

3/4 WIDE X
1 LONG SLOT
4 PLCS



SERIAL NUMBER(S) _____
F.O. _____

APPROXIMATE WEIGHT	
BASE, SILENCER, FILTER, DRIVE, & GUARD	540 LBS
BLOWER	___ LBS
MOTOR & SLIDE BASE	___ LBS
<hr/> TOTAL WEIGHT	<hr/> ___ LBS

Tuthill 800.825.6937
BASE MOUNTED OUTLINE PNEU-PAK-13-50-B

SIZE: C2	
DR	BD 5-24-02
CH	_____