

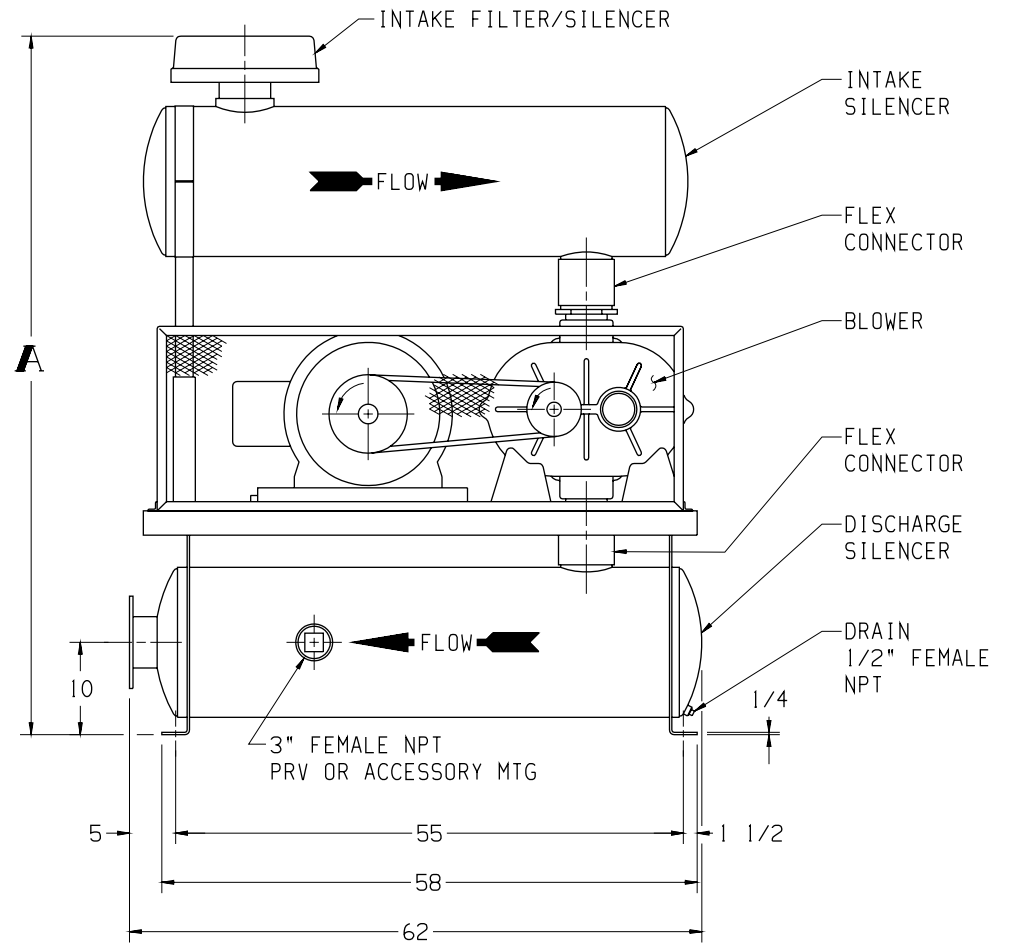
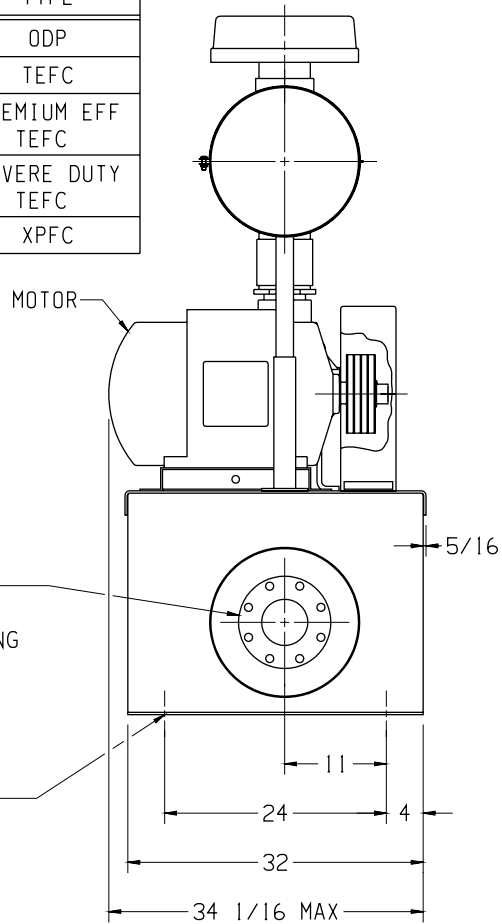
MOTOR W/SLIDE BASE
1800 RPM, 230/460 V. 3 PH. 60 HZ

HP	FRAME	TYPE
10	215T	ODP
15	254T	TEFC
20	256T	PREMIUM EFF TEFC
25	284T	TEFC
30	286T	SEVERE DUTY TEFC
40	324T	TEFC
50	326T	XPFC

BLOWER	A
5009	70 1/4
6005	70 3/8
6008	70 1/4
7006	75 11/16

5" FLANGE
125/150 LB
ANSI DRILLING
OUTLET

3/4 WIDE X
1 LONG SLOT
4 PLCS



SERIAL NUMBER(S) _____

F.O. _____

APPROXIMATE WEIGHT	
BASE, SILENCERS, FILTER, DRIVE, & GUARD	670 LBS
BLOWER	___ LBS
MOTOR & SLIDE BASE	___ LBS
TOTAL WEIGHT	___ LBS

Tuthill 800.825.6937
BASE MOUNTED OUTLINE PNEU-PAK-13-50-A

SIZE: C2	
DR	BD 5-23-02
CH	_____